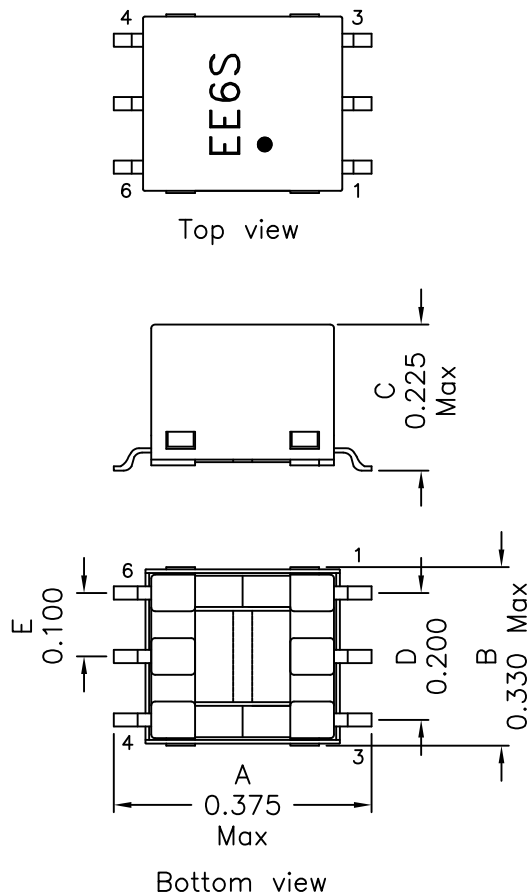


1. Mechanical Dimensions:

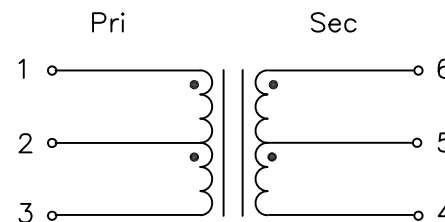


Notes:

1. Solderability: Leads shall meet MIL-STD-202G, Method 208H for solderability.
2. Flammability: UL94V-0
3. ASTM oxygen index: > 28%
4. Insulation System: Class F 155°C. UL file E151556
5. All listed parameters are to be within tolerance from -40°C to +85°C unless otherwise noted.
6. Storage Temperature Range: -55°C to +125°C
7. Aqueous wash compatible
8. SMD Lead Coplanarity: ±0.004"(0.102mm)
9. Electrical and mechanical specifications 100% tested
10. RoHS Compliant Component
11. Designed to withstand 255°C peak IR reflow temp.

DOC. Rev: B/5

2. Schematic:



3. Electrical Specifications: @25°C

OCL: Pins 1-3 400uH Min @ 10KHz, 0.1V

OCL: Pins 1-3 350uH Min @ 10KHz, 0.1V

-40°C to +85°C

Q: Pins 1-3 5 Min @ 10KHz, 0.1V

Volt-Time Product: Pins 1-3 32 typ Vusec

Turns Ratio: Pins (1-3):(6-4)=1CT:1.3CT

DC Res.: Pins 1-3 0.950 Ohms Max

DC Res.: Pins 6-4 1.25 Ohms Max

Isolation: 1500Vac Pri/Sec

Isolated Voltage: 5V to 5V

XFMRs Inc www.XFMRs.com	Title: Isolation Transformer		
	UNLESS OTHERWISE SPECIFIED	P/N: XF4006-EE6S	REV. B
TOLERANCES: .xx ±0.010	DWN.	Yuan	Dec-12-12
Dimensions in Inches	CHK.	YK Liao	Dec-12-12
SHEET 1 OF 1	APP.	BSJ	Dec-12-12