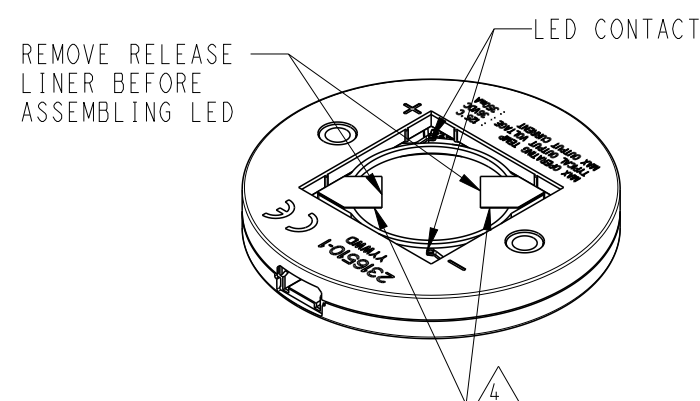
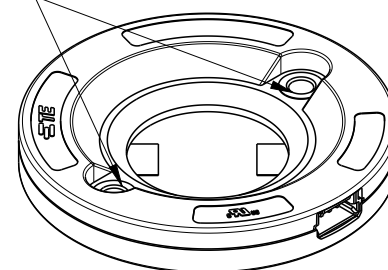
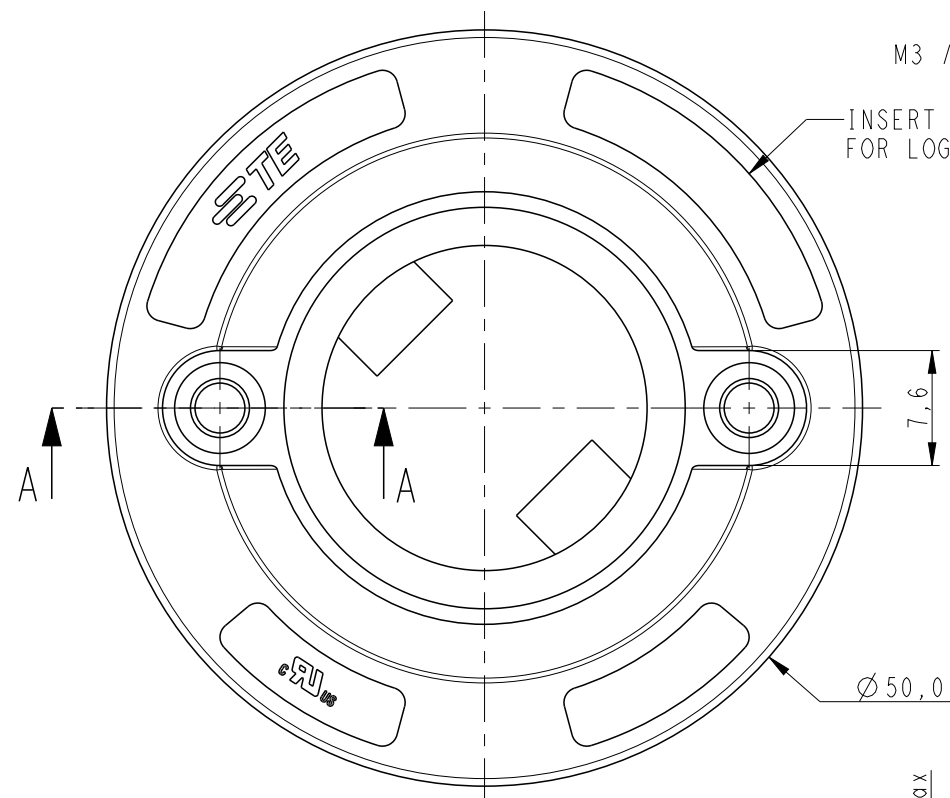


REVISIONS

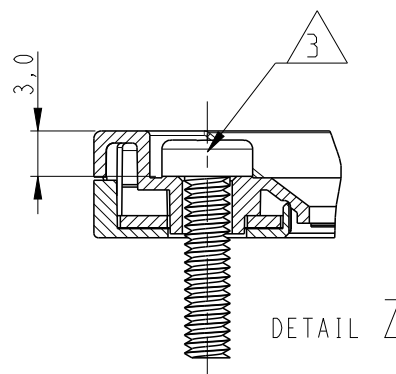
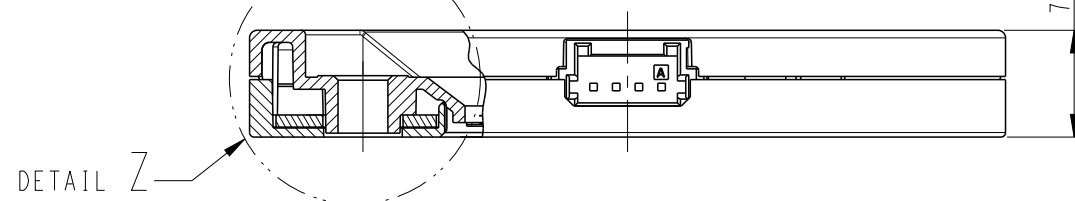
P	LTR	DESCRIPTION	DATE	DWN	APVD
B1		REVISED PER ECR-18-001081	23JAN2018	RS	OL

NOTES:

- MATERIALS:
 HOUSING: GLASS FILLED PBT, HALOGEN FREE FLAME RETARDANT
 COLOR : NATURAL
 CONTACTS: GOLD PLATED COPPER ALLOY
- PRODUCT COMPLIES WITH RESTRICTION ON HAZARDOUS SUBSTANCES DIRECTIVE 2011/65/EU
- SCREW TO BE USED - PAN HEAD M3, #4-40, LENGTH 12mm MIN. RECOMMENDED SCREW TORQUE: 0.4 - 0.6 Nm
- LED RETENTION ON 2 CORNERS WITH DOUBLE SIDED ADHESIVE TAPE.
- MATING CONNECTOR TE PART NO: 353908-4 OR 6-353908-4
- DIMENSIONS SHOWN ARE IN MATED POSITION WITH LED
- SEE SHEET 3 FOR RECOMMENDED PIN LAYOUT & ADDITIONAL INFORMATION
- ELECTRICAL RATINGS:
 - USE WITH A 48V DC CONSTANT VOLTAGE CLASS 2 POWER SUPPLY, ±10% TOLERANCE
 - LED FORWARD VOLTAGE HAVE THE FOLLOWING RANGE: 25 - 41VDC

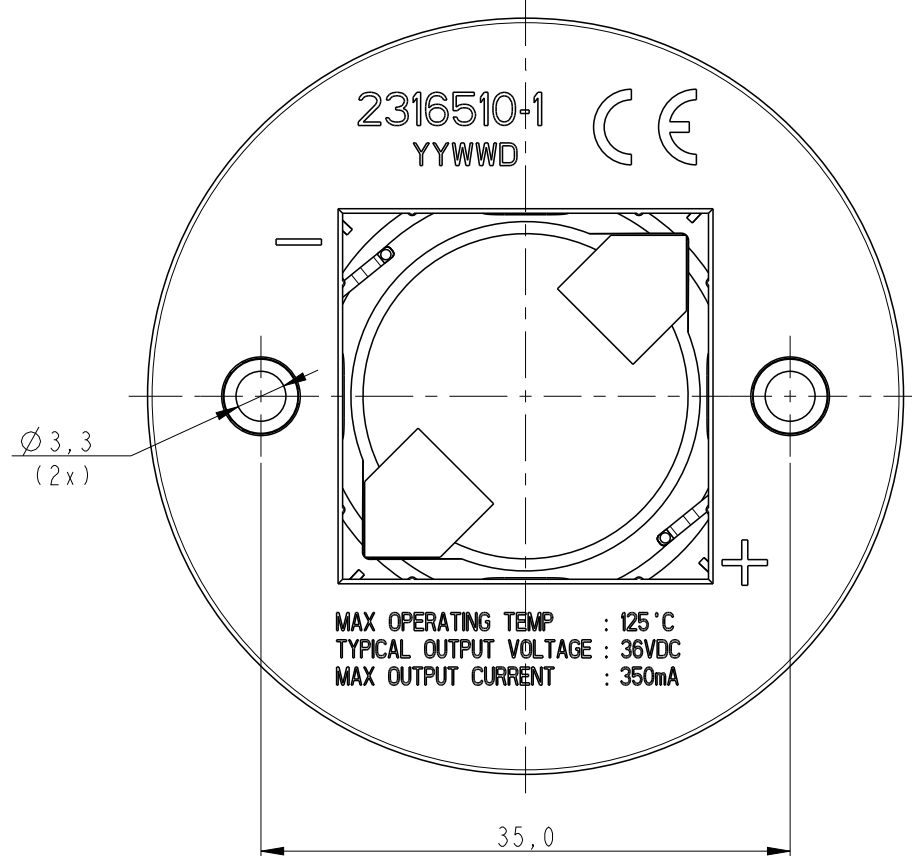


SECTION A-A



PRODUCT DATA SHEET I-1773935-6
 FOR ADDITIONAL INFORMATION

CURRENT (mA)	LED TYPE	DESCRIPTION	WEIGHT (g)	PART NO
1050	16 x 19	0-10 V, 1.05A, 16x19	9.56	3-2316510-4
	19 x 19	0-10 V, 1.05A, 19x19	9.46	3-2316510-3
	20 x 24	0-10 V, 1.05A, 20x24	9.41	3-2316510-2
	24 x 24	0-10 V, 1.05A, 24x24	9.17	3-2316510-1
700	16 x 19	0-10 V, 0.7A, 16x19	9.56	2-2316510-4
	19 x 19	0-10 V, 0.7A, 19x19	9.46	2-2316510-3
	20 x 24	0-10 V, 0.7A, 20x24	9.41	2-2316510-2
	24 x 24	0-10 V, 0.7A, 24x24	9.17	2-2316510-1
500	16 x 19	0-10 V, 0.5A, 16x19	9.56	1-2316510-4
	19 x 19	0-10 V, 0.5A, 19x19	9.46	1-2316510-3
	20 x 24	0-10 V, 0.5A, 20x24	9.41	1-2316510-2
	24 x 24	0-10 V, 0.5A, 24x24	9.17	1-2316510-1
350	16 x 19	0-10 V, 0.35A, 16x19	9.56	2316510-4
	19 x 19	0-10 V, 0.35A, 19x19	9.46	2316510-3
	20 x 24	0-10 V, 0.35A, 20x24	9.41	2316510-2
	24 x 24	0-10 V, 0.35A, 24x24	9.17	2316510-1



THIS DRAWING IS A CONTROLLED DOCUMENT.

DIMENSIONS: mm	TOLERANCES UNLESS OTHERWISE SPECIFIED: 0 PLC ±- 1 PLC ±0.2 2 PLC ±0.1 3 PLC ±- 4 PLC ±- ANGLES ±- FINISH -
MATERIAL SEE NOTES	

DWN RAGHAVENDRA.K 07MAR2017	CHK P.PETER 07MAR2017	APVD O.IEIJNSE 07MAR2017
PRODUCT SPEC 108-133082		
APPLICATION SPEC 114-133082		
WEIGHT -		
CUSTOMER DRAWING		

 TE Connectivity		NAME LUMAWISE DRIVE TYPE Z50 0-10 V VERSION	
		SIZE A3	CAGE CODE 00779
SCALE 2:1		SHEET 1 OF 4	REV B1

4

3

2

1

THIS DRAWING IS UNPUBLISHED.

RELEASED FOR PUBLICATION

2017

© COPYRIGHT 2017 BY -

ALL RIGHTS RESERVED.

REVISIONS

P	LTR	DESCRIPTION	DATE	DWN	APVD

AS SHOWN 2316510-1
SCALE 1:1

Ø21,5

9,24±0,25 (2x)

9,36±0,25 (2x)

24,2

2316510-1
YYWWD

MAX OPERATING TEMP : 125°C
TYPICAL OUTPUT VOLTAGE : 36VDC
MAX OUTPUT CURRENT : 350mA

24,2

AS SHOWN 2316510-2
SCALE 1:1

Ø18,0

7,13±0,25 (2x)

9,12±0,25 (2x)

24,2

2316510-2
YYWWD

MAX OPERATING TEMP : 125°C
TYPICAL OUTPUT VOLTAGE : 36VDC
MAX OUTPUT CURRENT : 350mA

20,3

AS SHOWN 2316510-3
SCALE 1:1

Ø17,7

7,55±0,25 (2x)

7,50±0,25 (2x)

19,3

2316510-3
YYWWD

MAX OPERATING TEMP : 125°C
TYPICAL OUTPUT VOLTAGE : 36VDC
MAX OUTPUT CURRENT : 350mA

19,3

AS SHOWN 2316510-4
SCALE 1:1

Ø14,0

6,05±0,25 (2x)

7,50±0,25 (2x)

19,3

2316510-4
YYWWD

MAX OPERATING TEMP : 125°C
TYPICAL OUTPUT VOLTAGE : 36VDC
MAX OUTPUT CURRENT : 350mA

16,3

THIS DRAWING IS A CONTROLLED DOCUMENT.

DWN 07MAR2017

RAGHAVENDRA.K

CHK 07MAR2017

P.PETER

APVD 07MAR2017

O.IEIJNSE

PRODUCT SPEC

108-133082

APPLICATION SPEC

114-133082

WEIGHT

-

CUSTOMER DRAWING

TE Connectivity

NAME
LUMAWISE DRIVE TYPE Z50
0-10 V VERSION

RESTRICTED TO

SIZE A3 CAGE CODE 00779 DRAWING NO. C-2316510

SCALE 3:2 SHEET 2 OF 4 REV B1

DIMENSIONS:

mm

MATERIAL
SEE NOTESTOLERANCES UNLESS
OTHERWISE SPECIFIED:

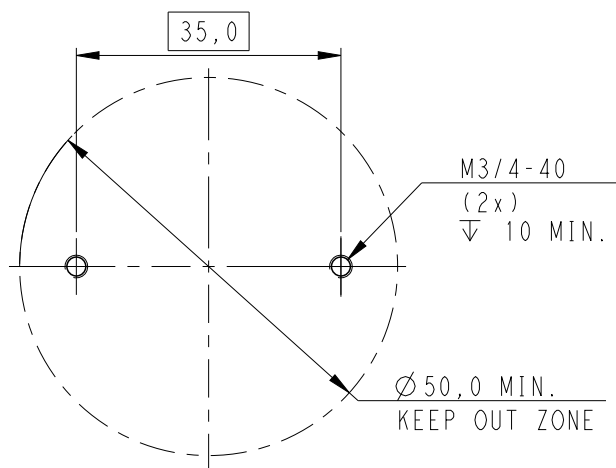
0 PLC	±-
1 PLC	±0.2
2 PLC	±0.1
3 PLC	±-
4 PLC	±-
ANGLES	±-
FINISH	-

1470-19 (3/13)

REVISIONS

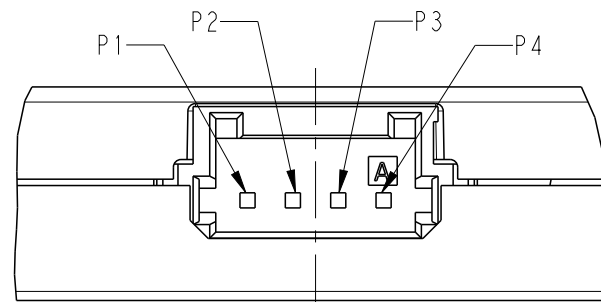
P	LTR	DESCRIPTION	DATE	DWN	APVD

RECOMMENDED DRILLING HOLE PATTERN



PIN LAYOUT

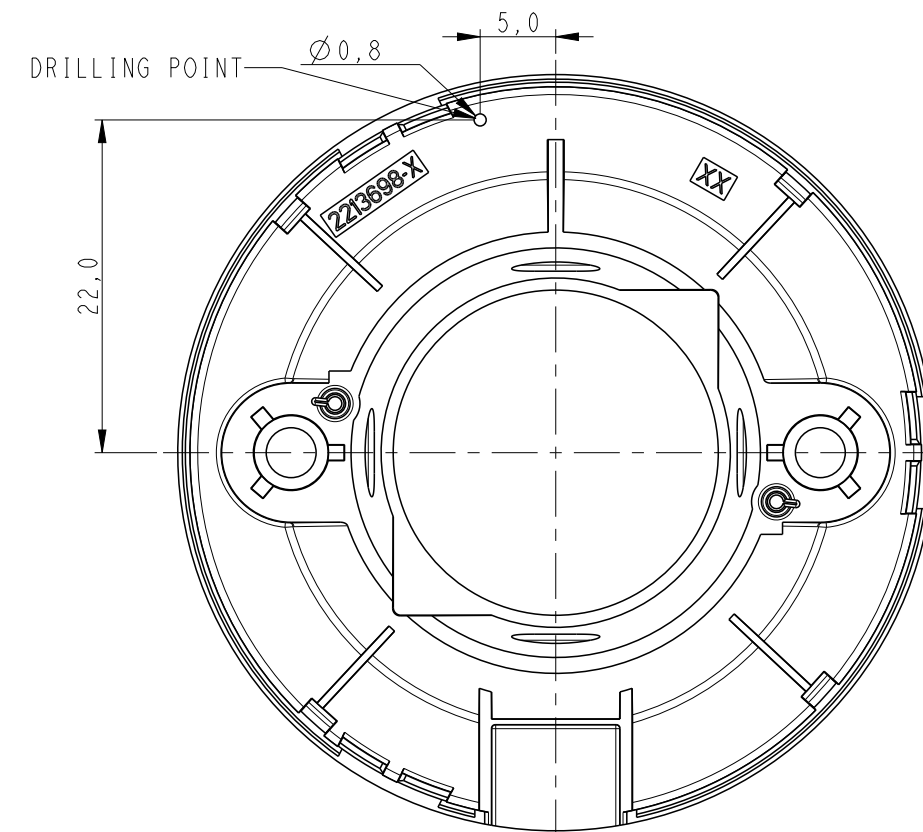
SCALE 4:1



P1	DIM (+)
P2	DIM (-)
P3	48VIN (+)
P4	48VIN (-) GND

DRILLING LOCATION FOR T_c TESTING

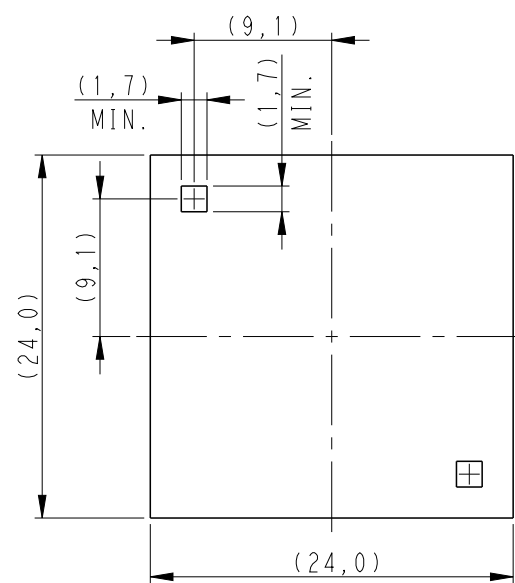
ONLY TOP COVER SHOWN



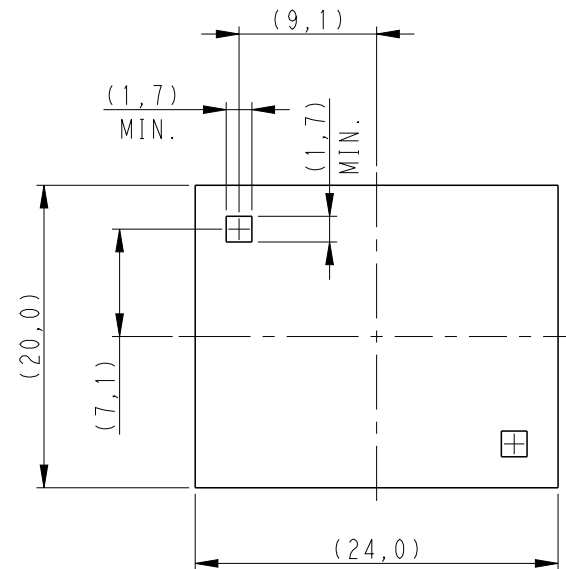
NOMINAL LED INFO:

THE SKETCH BELOW IS SHOWING THE ZHAGA BOOK 12 COB DIMENSIONS TO MATCH WITH THE LUMAWISE DRIVE TYPE Z50 LED HOLDER

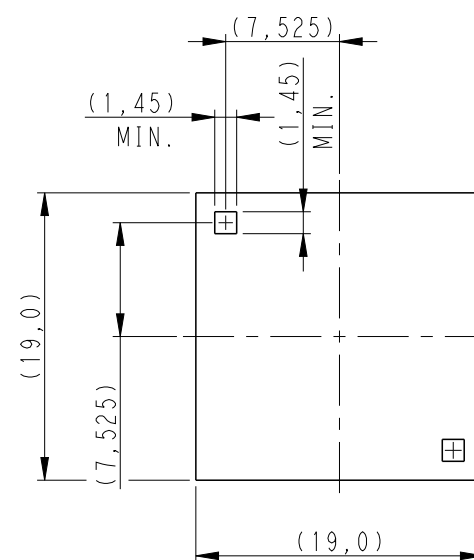
24x24 LAYOUT



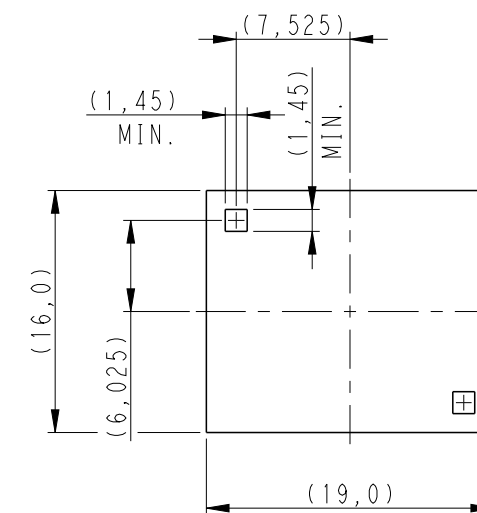
20x24 LAYOUT



19x19 LAYOUT



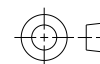
16x19 LAYOUT



THIS DRAWING IS A CONTROLLED DOCUMENT.

DIMENSIONS:

mm



TOLERANCES UNLESS OTHERWISE SPECIFIED:

0 PLC	±-
1 PLC	±0.2
2 PLC	±0.1
3 PLC	±-
4 PLC	±-
ANGLES	±-
FINISH	-

MATERIAL SEE NOTES

DWN 07MAR2017

RAGHAVENDRA.K

CHK 07MAR2017

P.PETER

APVD 07MAR2017

O.IEIJNSE

PRODUCT SPEC

108-133082

APPLICATION SPEC

114-133082

WEIGHT

-

CUSTOMER DRAWING



TE Connectivity

NAME LUMAWISE DRIVE TYPE Z50
0-10 V VERSION

SIZE CAGE CODE DRAWING NO RESTRICTED TO

A3 00779 C-2316510

SCALE 2:1 SHEET 3 OF 4 REV B1


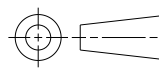
THIS DRAWING IS UNPUBLISHED. RELEASED FOR PUBLICATION 2017
 © COPYRIGHT 2017 BY - ALL RIGHTS RESERVED.

REVISIONS				
P	LTR	DESCRIPTION	DATE	APVD

L2C5-xxxx1202E0900; L2C5-xxxx1203E0900 1202s; 120206xCx; 1202CRSP; 1203CRSP	LUMILEDS	16x19
NVCWL024Z; NFCWL060B-V1; NFCLL060B-V1; NFCWL036B-VIM3	NICHIA	
LC040C	SAMSUNG	
BXRH-40E8000-J-23; BXRE-xxxxxxx-x-7x	BRIDGELUX	19x19
PB16H; PB16U; PB19H; PB19U; PB26U; PB26H	LEXTAR	
CLU038-1208C4; CLU721-1206C4; CLU710-1204C1; CLU711-1204C1; CLU034-1205C4; CLU036-1205C1; CLU032-1205A5-303M1A2; CLU720-1206C1; CLL030-1212A1-50KL1A1	CITIZEN	
2PHE20CW27P34001/2PHE30CW27P34001 2PHE20CW38P34001/2PHE30CW38P34002 HM CRI80 Series; HM CRI90 Series SL Series	EDISON OPTO	
EA1919 36V/26W Series	EVERLIGHT	
CHM-11/CXM11; CXM14/CHM14; CLM-14 Gen 3; CXM-11-XH00	LUMINUS	
Soleriq 13 Gen 2 Soleriq 15	OSRAM	
DMS124***G; DMC124/125***F; DMS125/126/128***G; DMC128***F; DMS099***F	PANASONIC	
SDW02F1C; SDWx3F1C	SEOUL	
SLE-G5-LES15 SLE-G5-LES17	TRIDONIC	
LC016/19/26D; LC019D; LC026D	SAMSUNG	20x24
LHC1-3070-1205; L2C5-xxxx-1204 LCHC1-xxxx1204; 1204CRSP; 1205CRSP; 1208CRSP; 1204; 1205; 1208	LUMILEDS	
EAHP2024	EVERLIGHT	
GW6TGBJC50C; GW5DGC**M04	SHARP	
BXRE-xxxxxxx-x-7x	BRIDGELUX	24x24
Soleriq S19 GW KAHLB2.CM	OSRAM	

LED DESCRIPTION MANUFACTURE NAME LED TYPE

LEDs COMPATIBILITY

THIS DRAWING IS A CONTROLLED DOCUMENT.		DWN 07MAR2017 RAGHAVENDRA.K	 TE Connectivity	
DIMENSIONS: mm		CHK 07MAR2017 P. PETER		
TOLERANCES UNLESS OTHERWISE SPECIFIED:		APVD 07MAR2017 O. IFEIJNSE	NAME LUMAWISE DRIVE TYPE Z50 0-10 V VERSION	
		PRODUCT SPEC 108-133082	RESTRICTED TO	
MATERIAL SEE NOTES		APPLICATION SPEC 114-133082	SIZE A3	CAGE CODE 00779
FINISH		WEIGHT	DRAWING NO C-2316510	REVISION REV B1
-		CUSTOMER DRAWING	SCALE 2:1	SHEET 4 OF 4