

## Specifications

Insulation Resistance:	1,000MΩ min. at 500V DC
Dielectric Withstanding Voltage:	700V AC for 1 minute for 1.00mm pitch 500V AC for 1 minute for 0.80mm pitch 100V AC for 1 minute for 0.75mm pitch
Contact Resistance:	100mΩ max. at 10mA/20mV max.
Operating Temperature Range:	-40°C to +150°C
Contact Force:	15g~35g per pin within contact travel distance between 0.2~0.5mm
Mating Cycles:	10,000 insertions

## Materials and Finish

Housing: Polyethersulphone (PES), glass-filled and Polyetherimide (PEI), glass-filled  
 Contacts: Beryllium Copper (BeCu)  
 Plating: Gold over Nickel



## Part Number (Details)

**IC280 - 576 06 (.AC...)**

Series No.

No. of Contact Pins

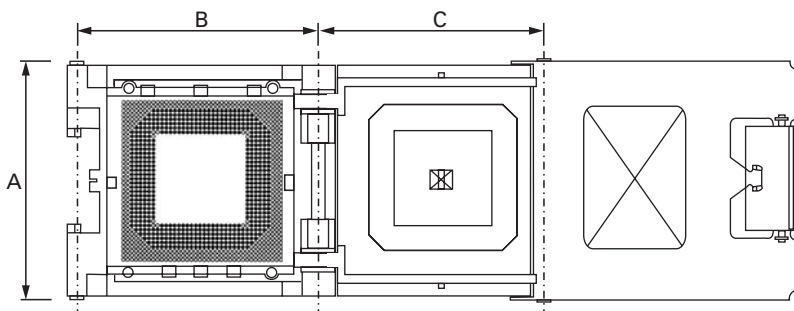
Design Number

For Pin Depopulation and Custom Designed Sockets

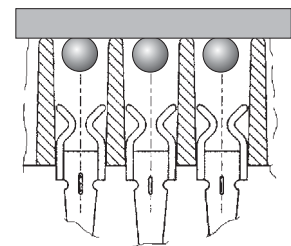
## Features

- ↳ V-shape contact structure to lower the damage of coplanarity of solder balls
- ↳ Available in 3 pitch sizes and various depopulation versions, please contact Yamaichi for further available pin counts or custom sockets

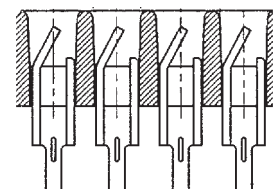
## Outline Socket Dimensions



### Contact Details for BGA

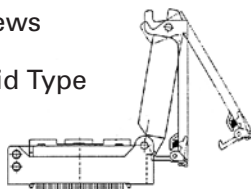


### Contact Details for LGA



### Socket Side Views

Dual Lid Type (DL)



Clamshell Type (CS)

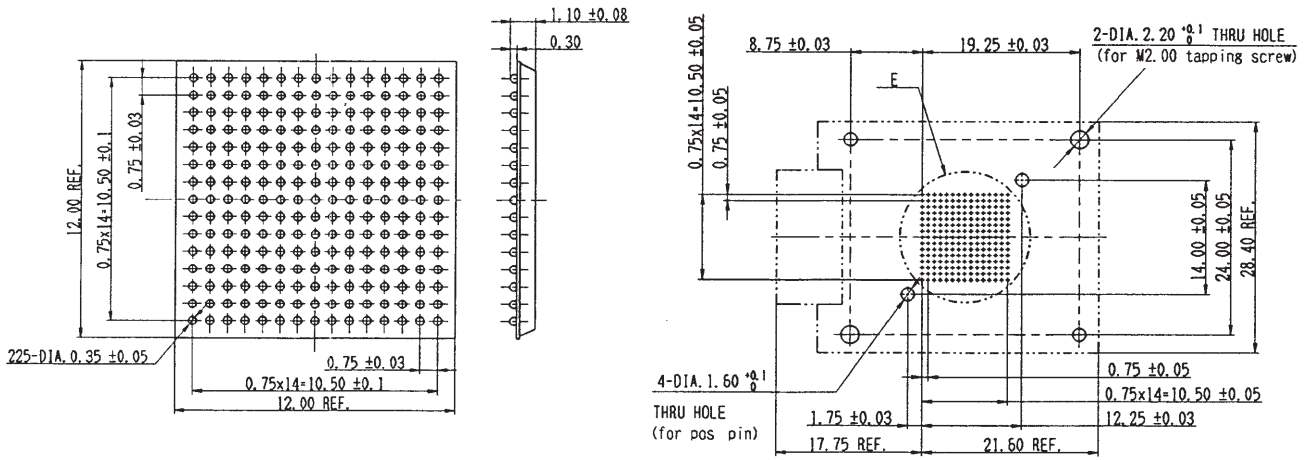


Part Number	Pin Count	Pitch	Grid Size	IC Body Size	Socket Dimensions			Lid Type	IC Dim./PCB's (see page)
					A	B	C		
IC280-169-127	169	0.80	13 x 13	12 x 12	28.40	31.35	-	CS	-
IC280-196-126	196	0.80	14 x 14	12 x 12	28.40	31.35	-	CS	-
IC280-72919.AC-12414	209	0.80	19 x 19	23 x 23	41.20	40.20	36.65	DL	-
IC280-225-185	225	0.75	15 x 15	12 x 12	28.40	31.35	31.50	CS	D-59
IC280-256-211	256	0.80	16 x 16	13 x 13	38.80	45.25	36.65	DL	D-59
IC280-72919.AC-12413	257	0.80	19 x 19	23 x 23	41.20	40.20	36.65	DL	-
IC280-324-186	324	0.80	18 x 18	16 x 16	31.60	34.55	-	CS	D-59
IC280-72919.AC-10478	340	0.80	22 x 22	20 x 20	41.20	40.20	36.65	DL	-
IC280-72918.AC-11321	484	1.00	22 x 22	23 x 23	46.80	47.60	43.00	DL	-
IC280-57606	576	1.00	33 x 33	35 x 35	56.20	54.90	50.90	DL	D-62
IC280-69605.AC-08327	671	1.00	34 x 34	35 x 35	56.20	54.90	50.90	DL	-
IC280-69605	696	1.00	38 x 38	40 x 40	56.20	54.90	50.90	DL	D-62
IC280-720-106	720	1.00	38 x 38	40 x 40	56.20	54.90	50.90	DL	-
IC280-72919	729	0.80	27 x 27	23 x 23	42.20	40.20	36.65	DL	D-60
IC280-72949	729	0.80	27 x 27	23 x 23	38.80	45.25	-	CS	D-60
IC280-72918	729	1.00	27 x 27	28 x 28	46.80	47.60	43.00	DL	D-61
IC280-72948	729	1.00	27 x 27	28 x 28	44.00	51.20	-	CS	D-61
IC280-740-111	740	1.00	38 x 38	40 x 40	56.20	54.90	50.90	DL	-
IC280-868-108	868	1.00	38 x 38	40 x 40	54.90	50.90	50.90	DL	-

### Grid Size 15 x 15

225 pins

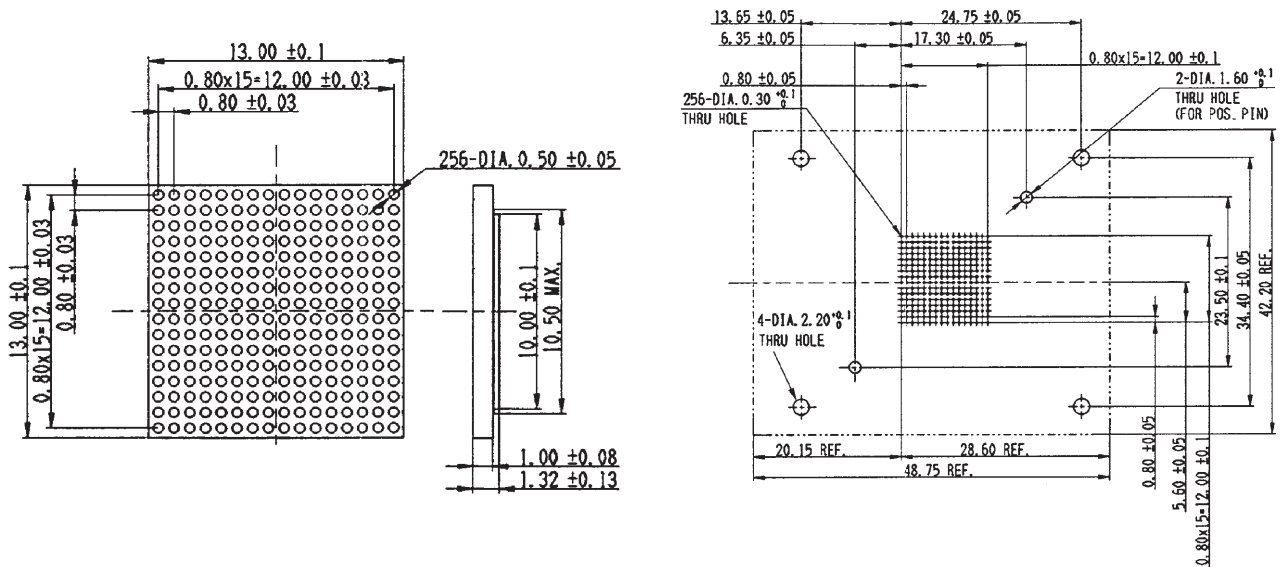
IC280-225-185 (FBGA)



### Grid Size 16 x 16

256 pins

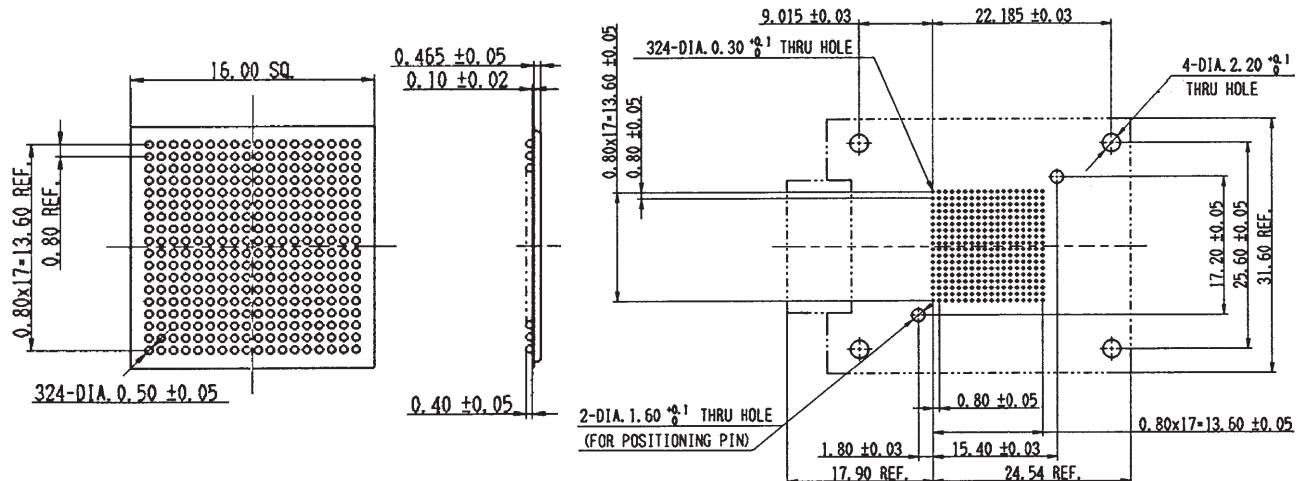
IC280-256-211 (LGA)



### Grid Size 18 x 18

324 pins

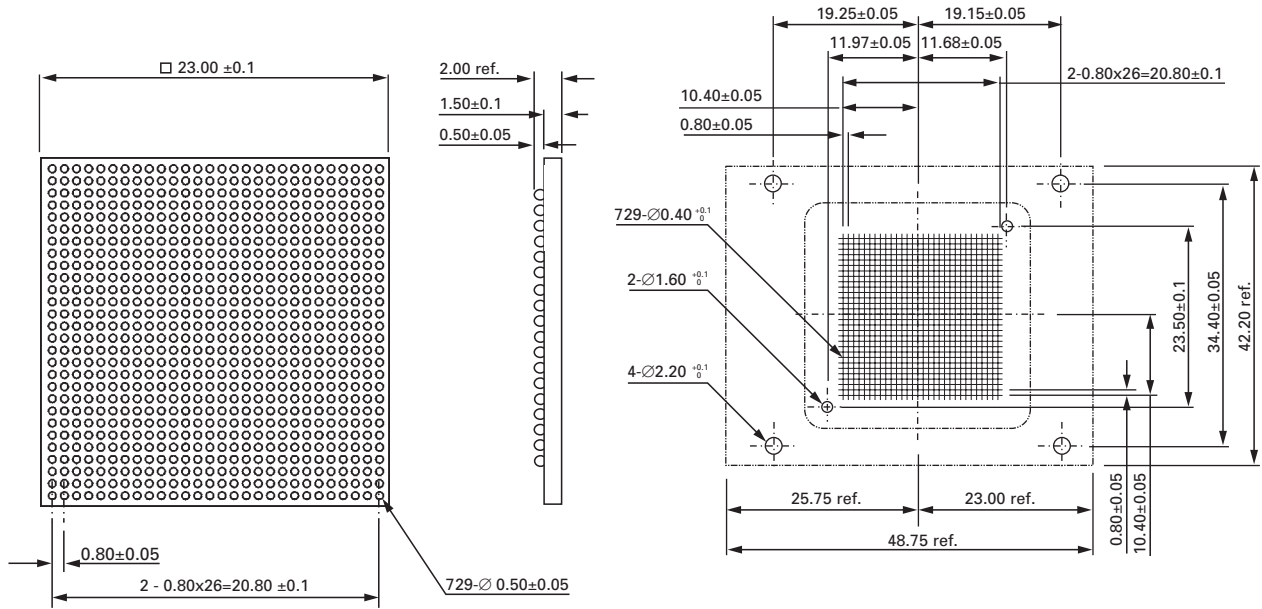
IC280-324-186 (CSP)



Grid Size 27 x 27

729 pins

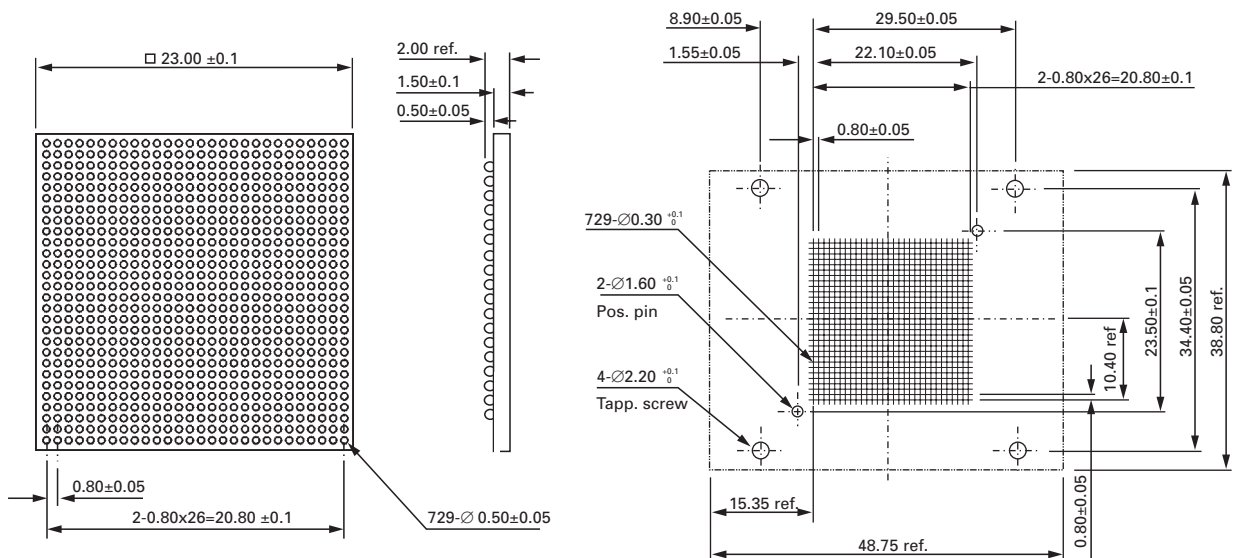
IC280-72919 (BGA)



Grid Size 27 x 27

792 pins

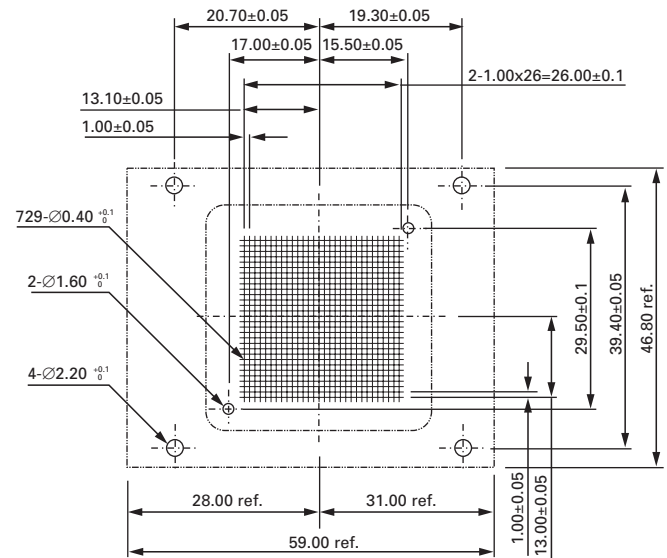
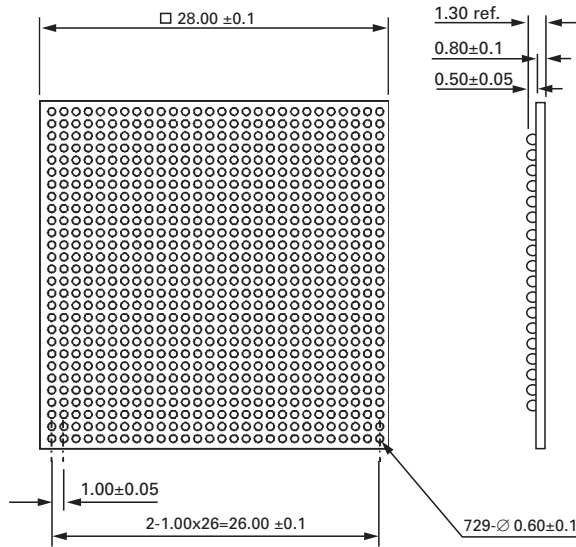
IC280-72949 (BGA)



Grid Size 27 x 27

729 pins

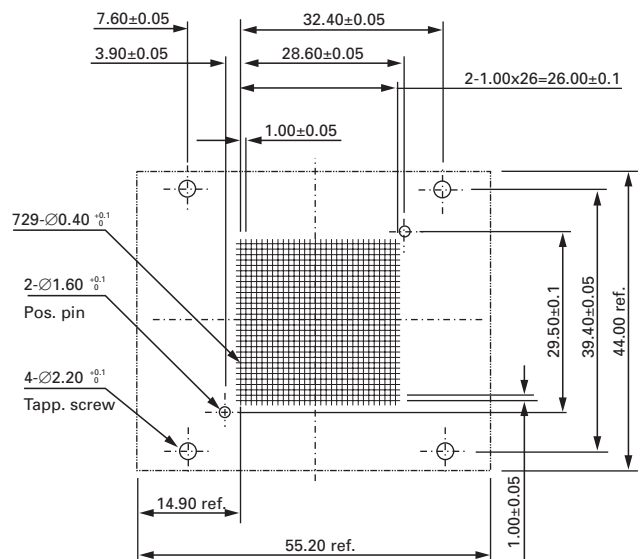
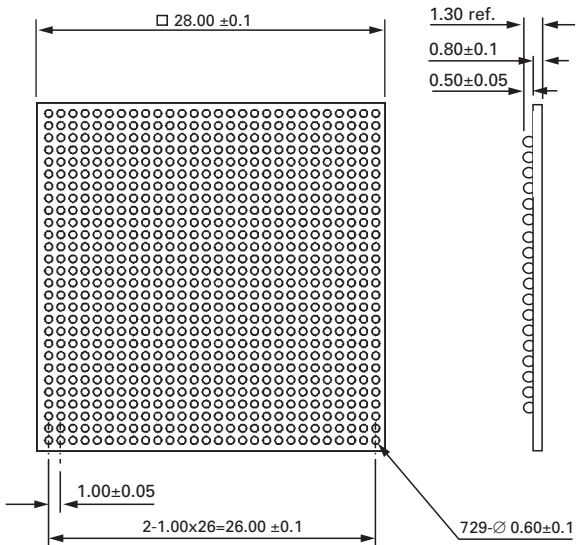
IC280-72918 (BGA)



Grid Size 27 x 27

792 pins

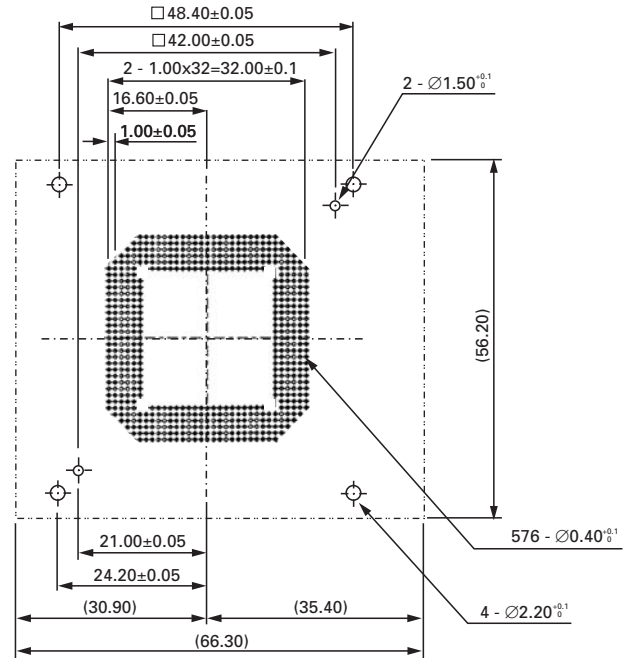
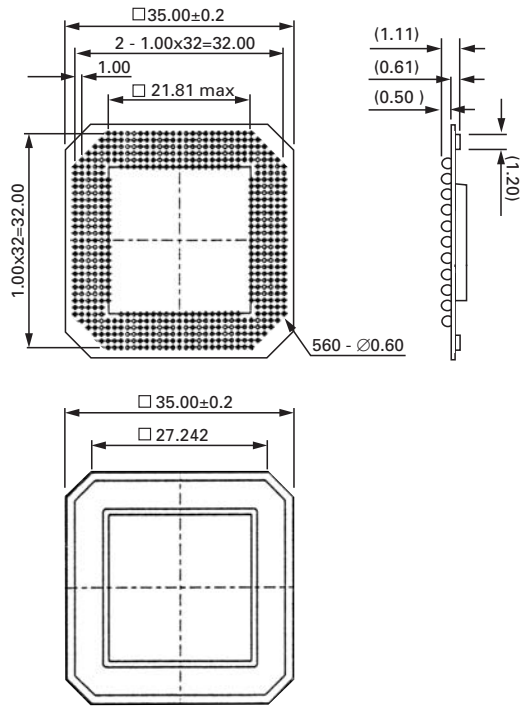
IC280-72948 (BGA)



Grid Size 33 x 33

576pins

IC280-57606 (BGA)



Grid Size 38 x 38

696pins

IC280-69605 (BGA)

