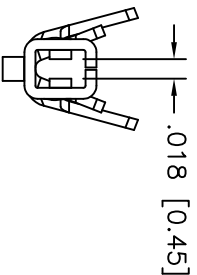
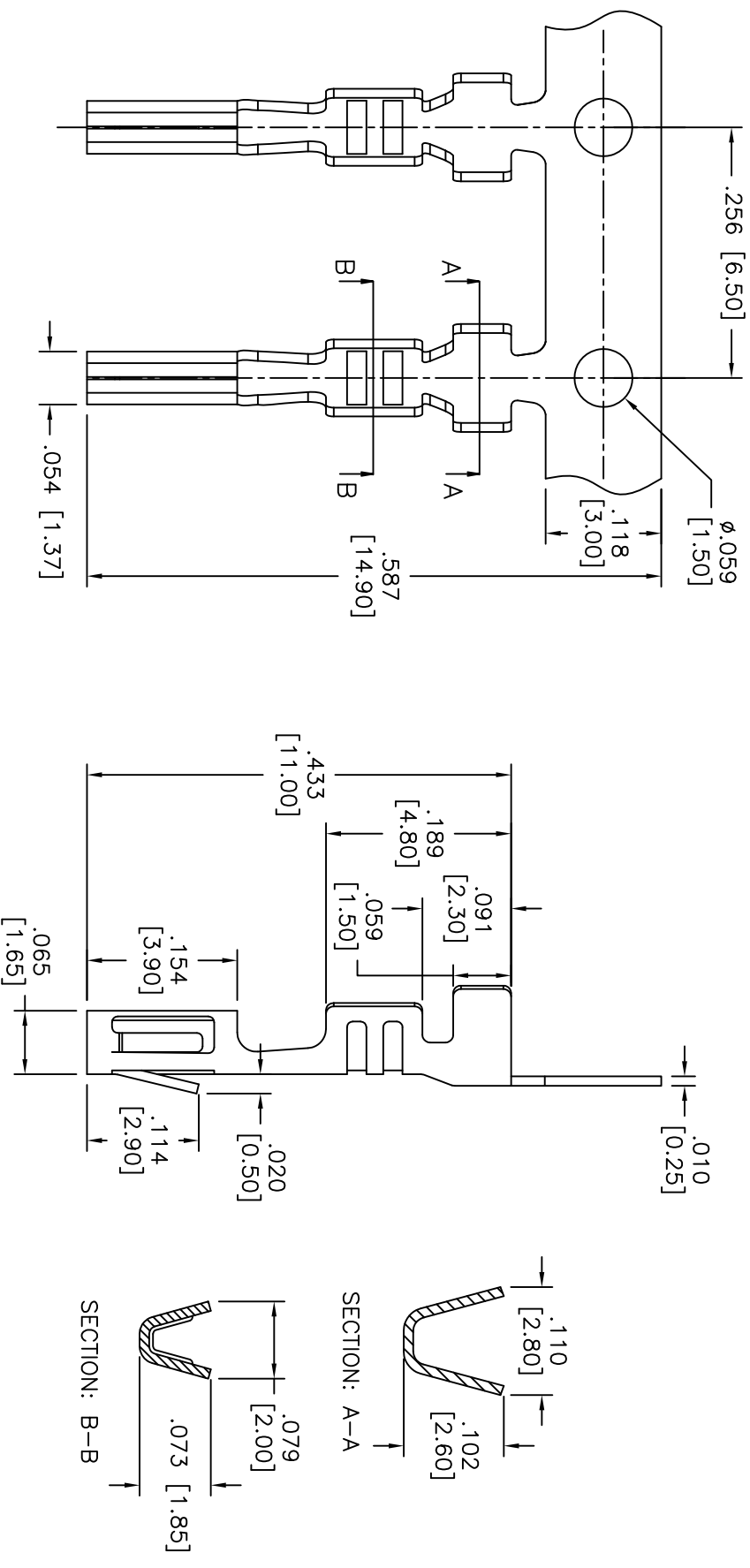


Rev	AWO #	Description	Date	Appr
-	9632	RELEASED	6/25/10	

APPROVED: \_\_\_\_\_  
 DATE: \_\_\_\_\_ TITLE: \_\_\_\_\_



**SPECIFICATIONS:**  
 Material: Phosphor Bronze, Tin plated  
 Thickness: 0.25mm  
 Wire Range: AWG#20~#24  
 Insulation O.D.: 1.55 Max  
 Rated Current: 3.0A  
 Rated Voltage: 250V AC/DC  
 Contact Resistance: 20 mohms max  
 Withstand Voltage: 1000 V AC/Minute  
 Insulation Resistance: 1000 mohms min  
 Operation temperature: -25°C to +85°C  
 Environmental:  
 Lead free, RoHS compliant.



UNLESS OTHERWISE SPECIFIED ALL DIMENSIONS ARE MM [INCHES] TOLERANCES ARE NOTED INCHES	
.X ± .10	ØX ± .10
.XX ± .020	ØXX ± .015
.XXX ± .015	ØXXX ± .010
APPROVALS	DATE
DRAWN	DY
CHECKED	
APPROVED	

**ADAM TECH**  
 909 Rahway Avenue, Union, NJ 07083  
 Phone: 908-687-5000 Fax: 908-687-5710

TITLE: 2.54 TERMINAL FEMALE

SIZE	PART NO.	REV.
X	DMS-B-C-F-B	
REF: S00019C	SCALE: NTS	SHEET 1 OF 1