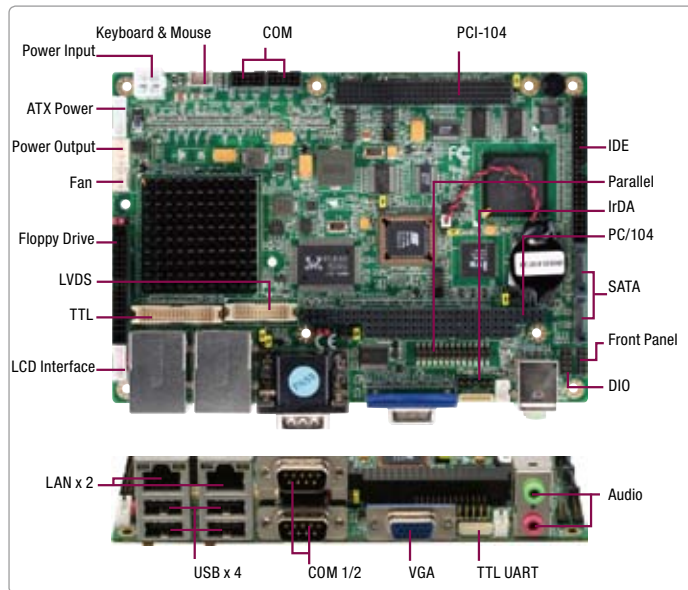


## EPIC Board with Onboard AMD Geode™ LX800 (500 MHz) Processor



### Specifications

System	
Form Factor	EPIC
Processor	Onboard AMD Geode™ LX800 (500 MHz) Processor
System Memory	200 pin DDR SODIMM x 1, Max. 1 GB for DDR333 & 512 MB for DDR400
Chipset	AMD LX series + CS5536
I/O Chipset	ITE IT8712 + Fintek F81216DG
Ethernet	Realtek 8100C 10/100Base-TX, RJ-45 x 2, (Optional RTL 8110S Gigabit LAN)
BIOS	Award Plug & Play BIOS – 1 MB ROM
Wake On LAN	Yes
Watchdog Timer	Generates a time-out system reset
H/W Status Monitoring	Supports power supply voltages and temperature monitoring
Expansion Interface	PC/104+ (PC/104 + PCI-104)
Battery	Lithium battery
Power Requirement	+12V, AT/ATX
Power Consumption (Typical)	LX800 500 MHz, DDR333 1 GB 1.35A@+12V
Board Size	4.53" (L) x 6.50" (W) (115mm x 165mm)
Gross Weight	1.2 lb (0.5 KG)
Operating Temperature	32°F ~ 140°F (0°C ~ 60°C)
Storage Temperature	-40°F ~ 176°F (-40°C ~ 80°C)
Operating Humidity	0% ~ 90% relative humidity, non-condensing
MTBF (Hours)	70,000
Display	
Chipset	AMD Geode™ LX
Memory	Shared system memory up to 254 MB
Resolutions	Up to 1920 x 1440 for CRT Up to 1024 x 768 for LCD
LCD Interface	Up to 24-bit single channel TTL / LVDS LCD (18/24-bit single channel LVDS is configured by manufacturer)
LCD Interface	Yes, 5V or 12V
I/O	
Storage	EIDE x 1 (UDMA 100 for two devices), SATA 1.5Gb/s x 2, Type 2 CompactFlash™ x 1, Floppy Disk Drive x 1
Serial Port	RS-232 x 3, TTL UART x 1, RS-232/422/485 x 1
Parallel	SPP/ EPP/ ECP mode
USB	USB2.0 x 4
PS/2 Port	Keyboard x 1, Mouse x 1
Digital I/O	Supports 8-bit (Programmable)
IrDA	Optional one IrDA Tx/Rx header
Audio	Line-In, Line-Out & MIC-In

### Features

- Onboard AMD Geode™ LX800 Processor
- AMD LX800 + CS5536
- SODIMM DDR 333 Max. 1 GB and DDR400 Max. 512 MB
- 10/100Base-TX Ethernet x 2
- Up to 24-bit TTL/LVDS LCD Panel
- AC97 2.0 Codec 2CH Audio
- EIDE x 1, SATA 1.5Gb/s x 2 with RAID 0,1, CompactFlash™ x 1, Floppy Disk Drive x 1
- Parallel x 1, COM x 5, USB2.0 x 4, 8-bit Digital I/O x 1
- PC/104+ Expansion
- 12V Only Operation



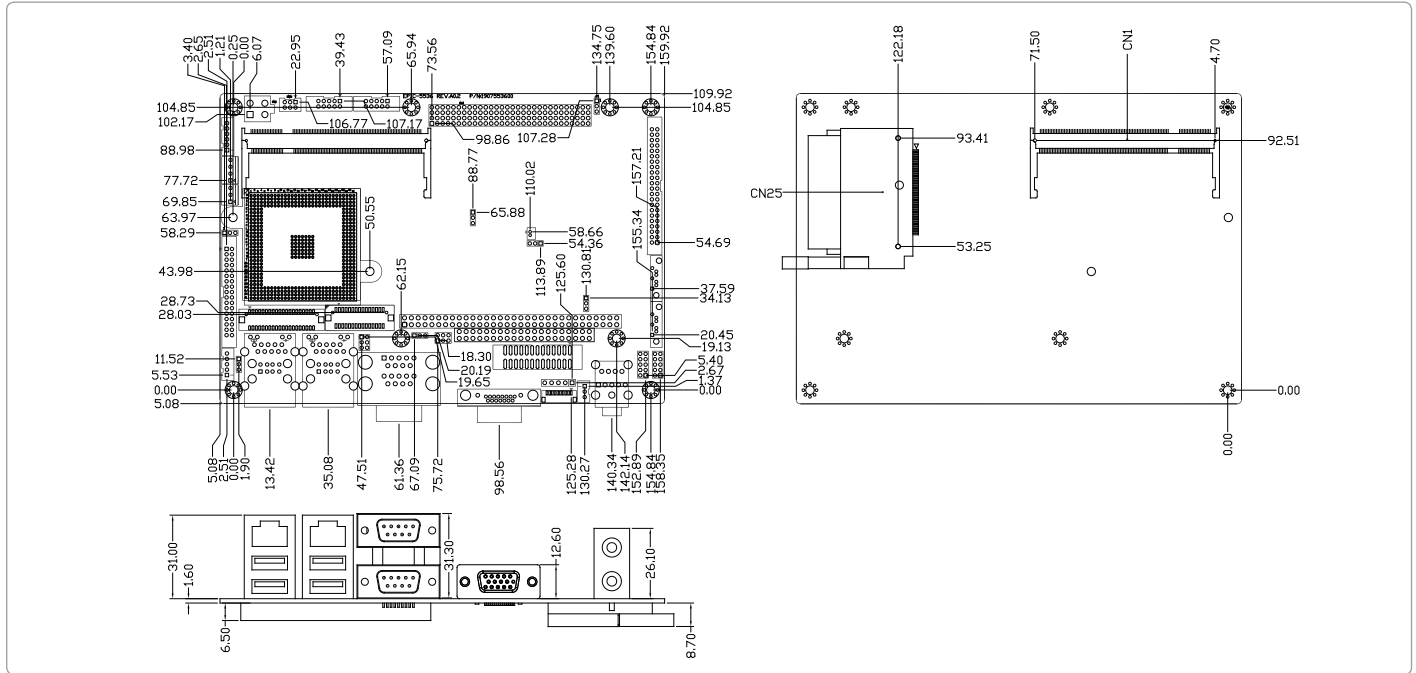
### Packing List

- **9681945600**  
Cable Kit for EPIC-5536  
1701440500 IDE Cable, Length 30+20cm  
1700060152 Keyboard/Mouse Cable, Length 15cm
- **9657666600**  
Jumper Cap
- **Product CD**
- **EPIC-5536 With Heatsink**

# EPIC-5536

## Dimension

Unit: mm



## Ordering Information

Part Number	CPU	Fan/Fanless	Display	LVDS	Storage	LAN	USB	RS-232	RS-232/422/485	Expansion Slot	Power	Temp
TF-EPIC-5536-A10	AMD Geode™ LX800	Fanless	CRT+ LVDS	24b, 1CH	SATA x 2 IDE x 1 CompactFlash™ x 1	FE x 2	4	3	1	PC/104* x 1,	DC12V	0°C ~ 60°C
TF-EPIC-5536-A10-01	AMD Geode™ LX800	Fanless	CRT+ LVDS	18b, 1CH	SATA x 2 IDE x 1 CompactFlash™ x 1	FE x 2	4	3	1	PC/104* x 1,	DC12V	0°C ~ 60°C

## Optional Accessories

- **TF-PCM-FA00-A10**  
PC/104 Board Plus to Mini-PCI Module Converter
- **1701260200**  
LPT Cable, Length 20cm
- **1700060152**  
Keyboard/Mouse Cable, Length 15cm
- **1709070500**  
SATA Cable, Length 50cm
- **1701100206**  
COM Port Cable, Length 20cm
- **1701340703**  
FDD Cable, Length 70 cm
- **1702040109**  
Power Output Cable, Length 10cm
- **1703030102**  
Audio Cable (Line-in), Length 10cm
- **1701440500**  
IDE Cable, Length 30+20cm