

4

3

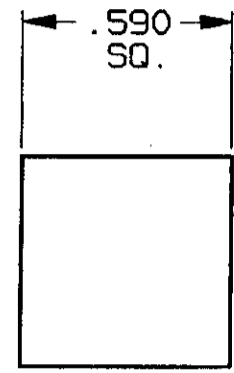
2

1

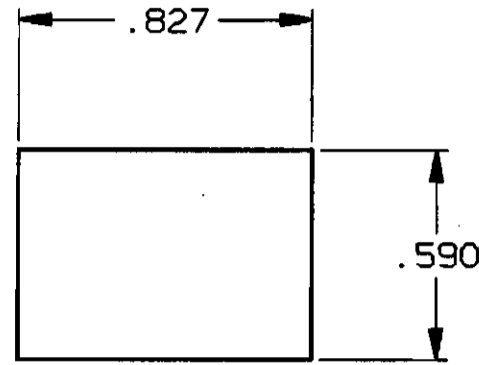
CONVERSION CHART	
INCH	MM
.010	0,25
.146	3,71
.257	6,53
.350	8,89
.385	9,78
.421	10,69
.590	15,00
.591	15,01
.827	21,00

NOTES:

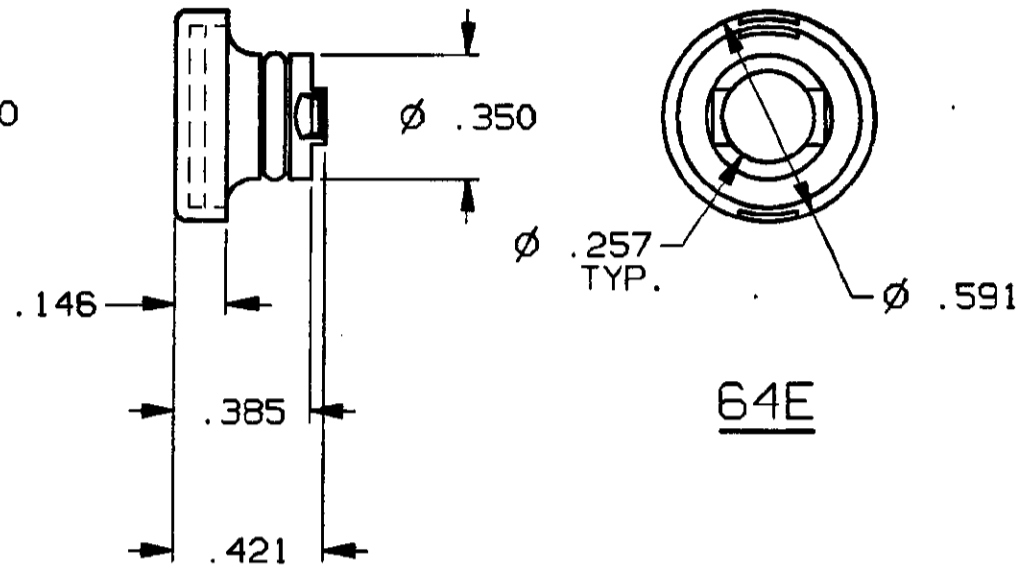
- INTERPRET DRAWING PER ASME Y14.5M-1994.
- LENS BUTTON SET INCLUDES:
(*) PLASTIC DEFUSER BUTTON
CLEAR PLASTIC COVER.
- FITS BOTH OILTIGHT AND NON-OILTIGHT MODELS.
- (*) SPECIFY COLOR: (2) = RED
(3) = ORANGE
(4) = YELLOW
(5) = GREEN
(6) = BLUE
(9) = WHITE/CLEAR



64S



64T



64E



OUTLINE DRAWING
SPECIFICATIONS ARE SUBJECT TO CHANGES WITHOUT NOTICE

THIS IS A C.A.D. GENERATED DRAWING.
DO NOT MAKE MANUAL REVISIONS TO MASTER.

REV	A	B	3
REVISIONS	INITIAL RELEASE ESR/DS06 PS 12-8-87 APP'D: SMM 12-8-87	REVISED ECO#3147 T.H. 3-1-89 APP'D: C.F. 3-1-89	REVISED ECO#392-95 S.KIRCORTAN 6-14-95 APP'D: <i>MLL 6/2/95</i>

THIRD ANGLE PROJECTION

UNLESS OTHERWISE SPECIFIED DIMENSIONS ARE IN INCHES DO NOT SCALE PRINT

FILE NAME: 80811OUT DIRECTORY: PSHSWTCH

MATERIAL: SEE SPECIFICATIONS

FINISH: SEE SPECIFICATIONS

NEXT ASSY:

TOLERANCES (EXCEPT AS NOTED)
ANGULAR = ±1°
DECIMAL .XX = ±
DECIMAL .XXX = ±.010
DECIMAL .XXXX = ±

AUGAT CONFIDENTIAL
This document contains information which is the exclusive property of Augat Inc.
Distribution, reproduction or use by others is not permitted without the expressed written consent of Augat Inc.

ORIGINAL DATE OF DRAWING:	12-9-87
DRAWN:	L.M.
DATE:	3-1-89
CHECKED:	P.S.
DATE:	12-9-87
APPROVED:	S.M.M.
DATE:	12-9-87
CODE IDENT. NO.	91506
DWG. SIZE	C

AUGAT INC.		452 JOHN DIETSCH BLVD. ATTLEBORO FALLS, MASS. 02763	
TITLE: OUTLINE DRAWING LENS SET 64*-* SERIES			
DWG. NO.	80811	REV.	3
PRODUCT CODE:		SCALE:	SHEET 1 OF 1