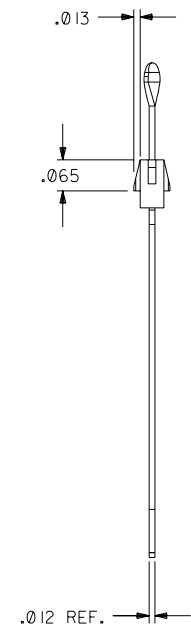
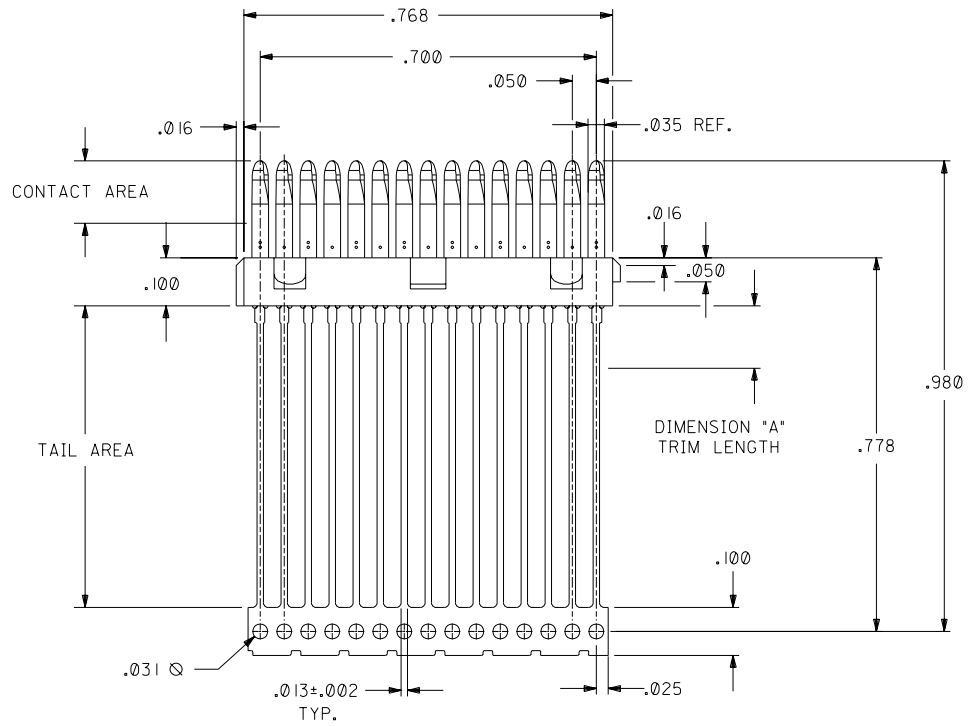
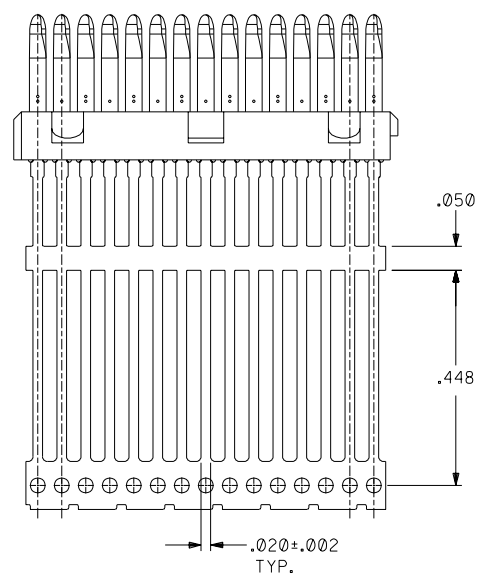


13	12	11	10	9	8	7	6	70984	4	3	2	1
PART NUMBER	ENGINEERING NUMBER	DIMENSION "A"	BUSBAR OPTION	PLATING								
				CONTACT AREA					TAIL AREA			
051-24-2021	70984-1001	N/A	NO	.000030/(0.00076) MINIMUM GOLD OVER A NICKEL UNDERPLATE					.000100/(0.00254) MINIMUM TIN OVER A NICKEL UNDERPLATE			
051-24-2022	70984-1002	.130±.010	NO	.000030/(0.00076) MINIMUM GOLD OVER A NICKEL UNDERPLATE					.000100/(0.00254) MINIMUM TIN OVER A NICKEL UNDERPLATE			
70984-1007		N/A	YES	.000030/(0.00076) MINIMUM GOLD OVER A NICKEL UNDERPLATE					.000050/(0.00127) MINIMUM NICKEL			
70984-1010		N/A	YES	.000030/(0.00076) MINIMUM GOLD OVER A NICKEL UNDERPLATE					.000200/(0.00508) MINIMUM TIN OVER A NICKEL UNDERPLATE			
70984-1014		.130±.010	NO	GOLD FLASH OVER A NICKEL UNDERPLATE					.000100/(0.00254) MINIMUM TIN OVER A NICKEL UNDERPLATE			

BUSBAR OPTION
(SEE CHART FOR PART #'S)



NOTES

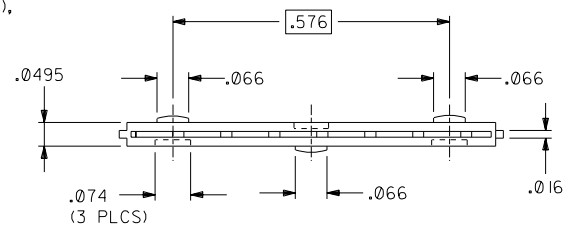
1) MATERIALS:
 INSULATOR: GLASS FILLED LIQUID CRYSTAL POLYMER (LCP),
 UL 94V-0, COLOR: BLACK.
 TERMINAL: PHOSPHOR BRONZE, .012 THICK.
 PLATING: SEE CHART

2) FOR PART NUMBERS AND PLATING OPTIONS, SEE CHART.

3) PARTS CONFORM TO PRODUCT SPECIFICATION PS-70928.

4) PACKAGED PER SPECIFICATION PK-70873-0335 APPLIES.

NOTE FOR LEAD FREE CONVERSION:
 THE PRIMARY SHIPPING CARTON WILL BE
 LABELED *COMPLIANT TO ROHS DIRECTIVE
 2002/95/EC AND ELV ANNEX II OF
 DIRECTIVE 2000/53/EC*. CARTONS
 WITHOUT THIS LABEL MAY CONTAIN
 PRODUCT WITH LEAD.



F	LEADFREE ECN# UCP2004-1998 DMORGAN 04/04/14
E	ADD -1014 ASSY ECN UDT2002-0739 BBARKER 01/11/21
D	REVISED UDT2001-1316 SCHMIDGA 05/18/01
CI	REVISED PER ECN U6-1240 04/09/96 DRS
C	REVISED PER ECN U6-0746 1/30/95 MOS
B	ADDED PART NO. PER ECN U4-0497 04/20/94 MOS
AI	ADDED PART NO. PER ECN U3-1261 09/14/93 DRS
A	FIRST RELEASE PER ECN U3-1063 7.12.93 MOS

DIMENSIONS ARE IN INCHES

MFG.	SH.	REV.	LTR.	REVISIONS

UNLESS OTHERWISE SPECIFIED
TOLERANCES: ANGULAR ± 1/2°

3 PLACE	±	.010	---	---
2 PLACE	±	---	±	---
1 PLACE	---	---	±	---

DRAFT WHERE APPLICABLE MUST
REMAIN WITHIN DIMENSIONS

DRWG. BY: SCHMIDGALL
CHK'D. BY: MOS
APP'D. BY: CAB
SCALE: 5:1

FILE NAME: 570984X1.DGN
DIV: CD

TITLE: 15ck+ LFH PLUG
INSERT MOLDED CONTACT
ASSEMBLY - SALES DETAIL

MOLEX INCORPORATED
LITSE, ILL. 60532 U.S.A.

SHEET NO. 1 OF 1
DATE 08/04/93

PART NO. SEE CHART
DRWG. NO. SDA-70984-100*

THIS DRAWING CONTAINS INFORMATION THAT IS PROPRIETARY TO MOLEX INC. AND SHOULD NOT BE USED WITHOUT WRITTEN PERMISSION.

70984