

KEY FEATURES

- U Bracket Switching Power Supply
- Universal Input: 90-264 VAC
- With P.F.C. Function, PF>0.95
- Free Air Convection
- High Efficiency up to 93%
- RoHS Compliant Design
- Ultra Compact Size: 6.0 x 4.18 x 1.38 Inches
- 3-Years Product Warranty

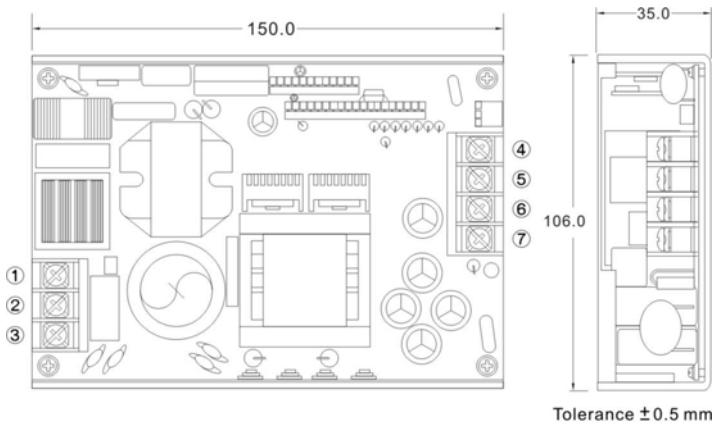

ELECTRICAL SPECIFICATIONS

Model No.		AQF240U-3.8S	AQF240U-5S	AQF240U-12S	AQF240U-15S	AQF240U-24S	AQF240U-28S	AQF240U-32S	AQF240U-48S	
		(Preliminary)								
Max Output Wattage (W)		152W	200W	240W						
Input	Voltage	90-264 VAC or 120-370 VDC								
	Frequency (Hz)	47-63 Hz								
	Current (Full load)	<3.0 A max. (115 VAC) / <1.5 A max. (230 VAC)								
	Inrush Current (<2ms)	< 30 A max. (115 VAC) / < 60 A max. (230 VAC)								
	Leakage Current	< 0.5 mA max.								
	Power Factor	PF>0.98 (115 VAC) / PF>0.95 (230 VAC) at Full Load								
Output	Voltage (V.DC.)	3.8V	5V	12V	15V	24V	28V	32V	48V	
	Voltage Accuracy	±2%								
	Current (Convection) (A) max	40	40	20	16	10	8.57	7.5	5	
	Line Regulation	±1%								
	Load Regulation	±1%								
	Minimum Load	1%								
	Maximum Capacitive Load	470-23,000µF depending on model								
	Ripple & Noise (max.)	100mVp-p			120mVp-p	200mVp-p				
	Efficiency (typ.)	84%	88%	90%	90%	92%	92%	92%	93%	
	Hold-up Time	13 ms min.								
Protection	Over Power Protection	Auto recovery								
	Over Voltage Protection	Latch Off								
	Short Circuit Protection	Latch Off								
Isolation	Input-Output (V.AC)	4000V								
	Input-FG (V.AC)	2000V								
	Output-FG (V.AC)	500V								
Environment	Operating Temperature	-10°C...+70°C (with derating)								
	Storage Temperature	-25°C...+85°C								
	Temperature Coefficient	±0.03%/°C (0~50°C)								
	Humidity	95% RH								
	MTBF	>50,000 h @ 25°C (MIL-HDBK-217F)								
Physical	Vibration	10~500Hz, 2G 10min./1cycle, 60min. each along X, Y, Z axes.								
	Dimension (L x W x H)	6.0 x 4.18 x 1.38 Inches (150.0 x 106.0 x 35.0 mm) Tolerance ±0.5 mm								
	Weight	580 g								
Safety	Cooling Method	Free convection								
	Agency Approvals	CE, UL60950(except 3.8S and 5S)								
EMC	EMI (Conducted & Radiated Emission)	EN 55022 class B								
	EMS (Noise Immunity)	EN 55024								

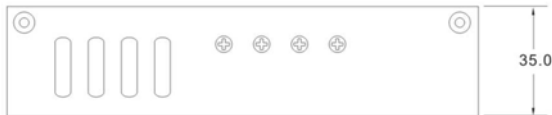
1. All specifications valid at normal input voltage, full load and +25°C after warm-up time unless otherwise stated.

2. Ripple & Noise are measured at 20MHz of bandwidth with 01.µF & 47µF parallel capacitor.

MECHANICAL DIMENSION (Top View)



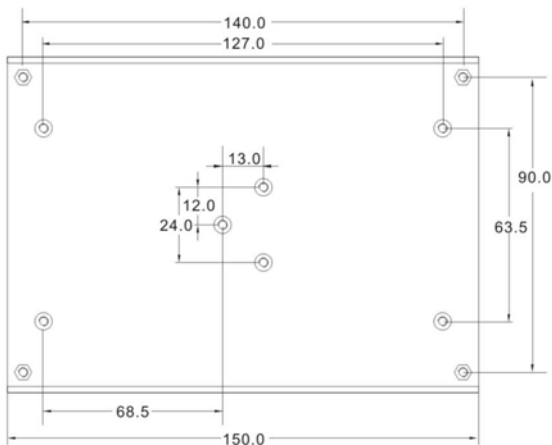
PIN#	SINGLE
1	AC IN (L)
2	AC IN (N)
3	FG
4	+DC OUT
5	+DC OUT
6	-DC OUT
7	-DC OUT



ASSEMBLY INSTRUCTIONS

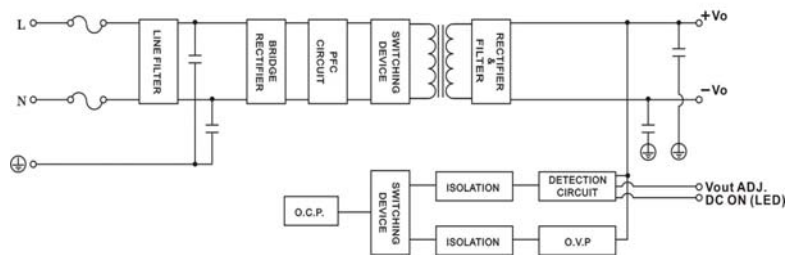
*U Case T=2.0mm

Customer screws into the length of the case no higher than 0.5mm (Namely screw length for load plate thickness plus 2.5mm)



BLOCK DIAGRAM

Single Output



DERATING

