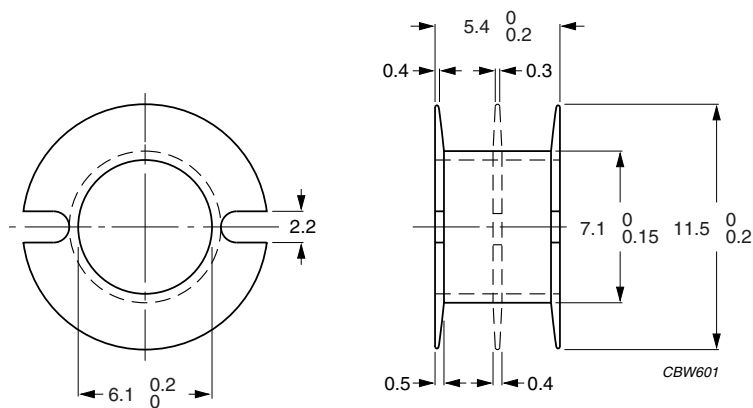


COIL FORMERS

General data for CP-P14/8 coil former

| PARAMETER | SPECIFICATION |
|-------------------------------|---|
| Coil former material | polybutyleneterephthalate (PBT), glass reinforced, flame retardant in accordance with "UL 94V-0"; UL file number E45329 (R) |
| Maximum operating temperature | 155 C, "IEC 60085", class F |



Dimensions in mm.

Fig.3 Coil former CP-P14/8.

Winding data for CP-P14/8 coil former

| NUMBER OF SECTIONS | WINDING AREA (mm ²) | MINIMUM WINDING WIDTH (mm) | AVERAGE LENGTH OF TURN (mm) | TYPE NUMBER |
|--------------------|---------------------------------|----------------------------|-----------------------------|-------------|
| 1 | 8.8 | 4.1 | 28.9 | CP-P14/8-1S |
| 2 | 2 4.0 | 2 1.85 | 28.9 | CP-P14/8-2S |