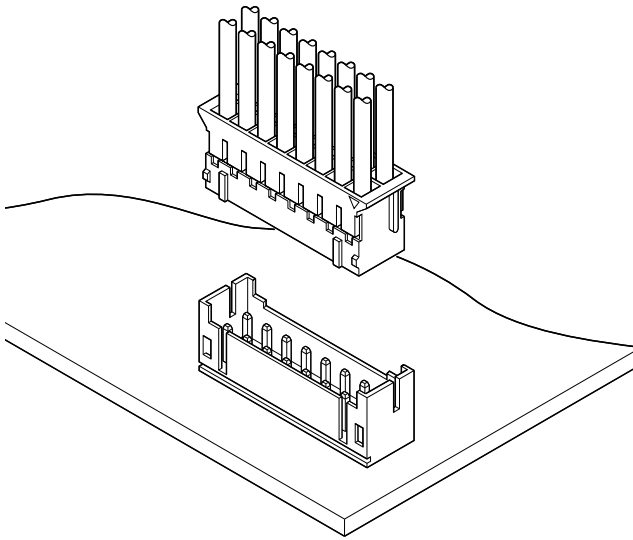




PHD CONNECTOR

2.0 mm pitch/Disconnectable Crimp style connectors



This is a 2.0 mm pitch, crimp style, dual-row, wire-to-board connector. It is designed to meet the demand for high-density and low-profile connection.

- Compact
- Reliable contacts
- Fully shrouded header

Specifications

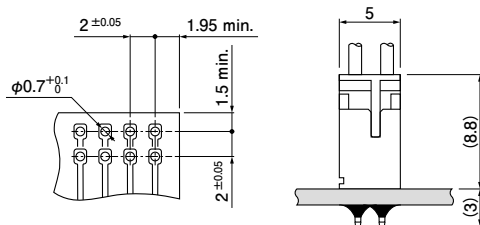
- Current rating: 3 A AC/DC (AWG #22)
 - Voltage rating: 250 V AC/DC
 - Temperature range: -25°C to +85°C
(including temperature rise in applying electrical current)
 - Contact resistance: Initial value/ 10 mΩ max.
After environmental tests/ 20 mΩ max.
 - Insulation resistance: 1,000 MΩ min.
 - Withstanding voltage: 800 VAC/minute
 - Applicable wire: AWG #28 to #22
 - Applicable PC board thickness: 1.6 mm
- * In using the products, refer to "Handling Precautions for Terminals and Connectors" described on our website (Technical documents of Product information page).
- * RoHS2 compliance
- * Dimensional unit: mm
- * Contact JST for details.

Standards

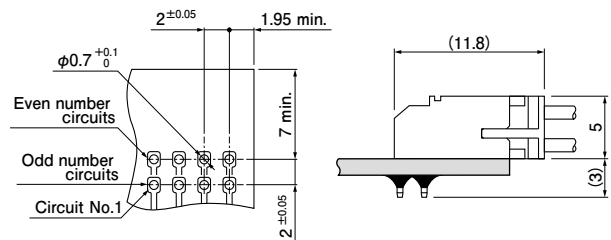
Recognized E60389

PC board layout and Assembly layout

Top entry type



Side entry type

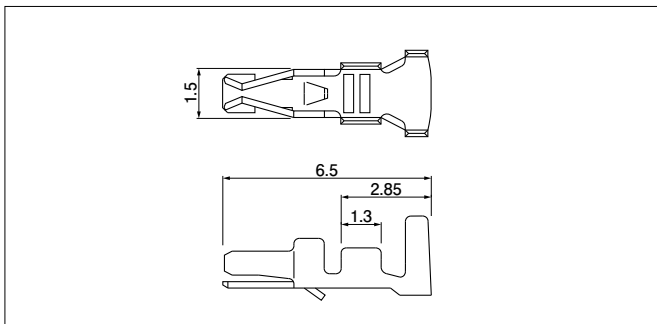


Note: 1. The above figure is the figure viewed from soldering side.

2. Tolerances are non-cumulative: ± 0.05 mm for all centers.

3. Hole dimensions differ according to the type of PC board and piercing method. If PC boards made of hard material are used, the hole dimensions should be larger. The dimensions above should serve as a guideline. Contact JST for details.

Contact



| Model No. | Applicable wire | | Insulation O.D. (mm) | Q'ty/reel |
|----------------|-----------------|-------|----------------------|-----------|
| | mm ² | AWG # | | |
| SPHD-002T-P0.5 | 0.08~0.21 | 28~24 | 0.9~1.5 | 8,000 |
| SPHD-001T-P0.5 | 0.13~0.33 | 26~22 | 1.0~1.5 | |

Material and Finish

Phosphor bronze, tin-plated (reflow treatment)

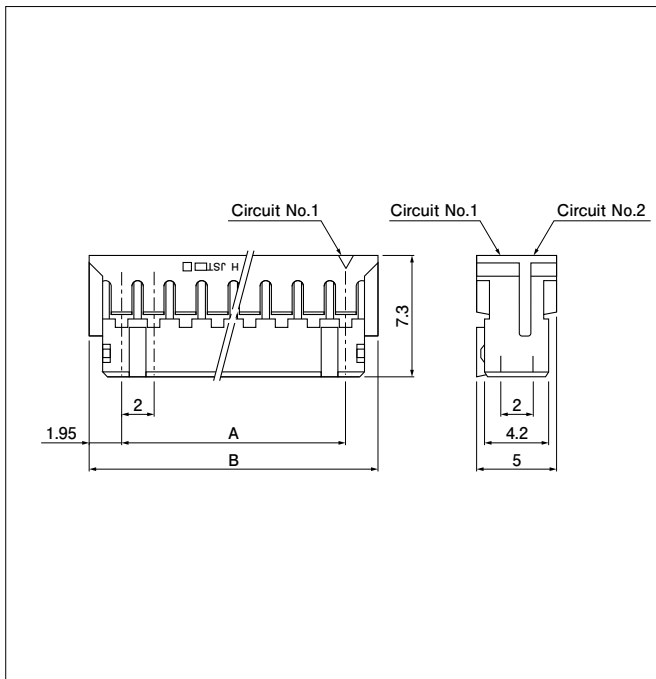
RoHS2 compliance

| Contact | Crimping machine | Applicator | | |
|----------------|------------------|------------------|----------------|----------------------------|
| | | Crimp applicator | Dies | Crimp applicator with dies |
| SPHD-002T-P0.5 | AP-K2N | MKS-L-10 | MK/SPHD-002-05 | APLMK SPHD002-05 |
| SPHD-001T-P0.5 | | | MK/SPHD-001-05 | APLMK SPHD001-05 |

Note: Contact JST for fully automatic crimping applicator.

PHD CONNECTOR

Housing



| No. of circuits | Model No. | Dimensions (mm) | | Q'ty/bag |
|-----------------|-----------|-----------------|------|----------|
| | | A | B | |
| 8 | PHDR-08VS | 6.0 | 9.9 | 1,000 |
| 10 | PHDR-10VS | 8.0 | 11.9 | 1,000 |
| 12 | PHDR-12VS | 10.0 | 13.9 | 1,000 |
| 14 | PHDR-14VS | 12.0 | 15.9 | 1,000 |
| 16 | PHDR-16VS | 14.0 | 17.9 | 1,000 |
| 18 | PHDR-18VS | 16.0 | 19.9 | 1,000 |
| 20 | PHDR-20VS | 18.0 | 21.9 | 1,000 |
| 22 | PHDR-22VS | 20.0 | 23.9 | 1,000 |
| 24 | PHDR-24VS | 22.0 | 25.9 | 1,000 |
| 26 | PHDR-26VS | 24.0 | 27.9 | 1,000 |
| 28 | PHDR-28VS | 26.0 | 29.9 | 1,000 |
| 30 | PHDR-30VS | 28.0 | 31.9 | 1,000 |
| 32 | PHDR-32VS | 30.0 | 33.9 | 1,000 |
| 34 | PHDR-34VS | 32.0 | 35.9 | 1,000 |

Material and Finish

PA 66, UL94V-0, natural (white)

RoHS2 compliance

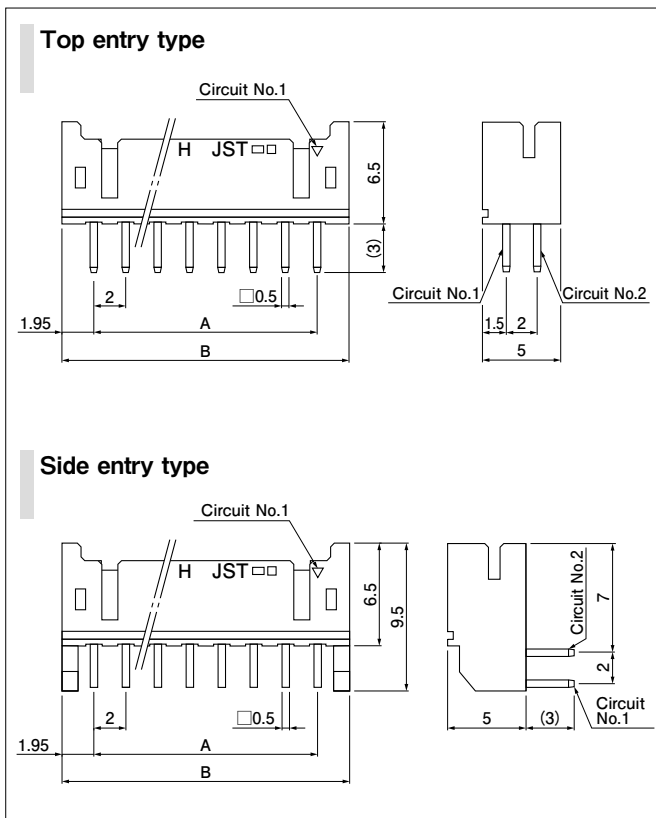
<For reference> As the color identification, the following alphabet shall be put in the underlined part. For availability, delivery and minimum order quantity, contact JST.

ex. **PHDR-10VS**

S...natural (white)

K...black Y...yellow E...blue R...red

Shrouded header



| No. of circuits | Model No. | | | | Dimensions (mm) | | Q'ty/box | |
|-----------------|--------------------|-----------------|----------------|-----------------|-----------------|------|----------------|-----------------|
| | Glass-filled nylon | | Nylon | | A | B | Top entry type | Side entry type |
| | Top entry type | Side entry type | Top entry type | Side entry type | | | | |
| 8 | B8B-PHDSS | S8B-PHDSS | — | — | 6.0 | 9.9 | 500 | 500 |
| 10 | B10B-PHDSS | S10B-PHDSS | B10B-PHDSS-B | S10B-PHDSS-B | 8.0 | 11.9 | 500 | 500 |
| 12 | B12B-PHDSS | S12B-PHDSS | B12B-PHDSS-B | S12B-PHDSS-B | 10.0 | 13.9 | 500 | 500 |
| 14 | B14B-PHDSS | S14B-PHDSS | B14B-PHDSS-B | S14B-PHDSS-B | 12.0 | 15.9 | 500 | 250 |
| 16 | B16B-PHDSS | S16B-PHDSS | B16B-PHDSS-B | S16B-PHDSS-B | 14.0 | 17.9 | 500 | 250 |
| 18 | B18B-PHDSS | S18B-PHDSS | B18B-PHDSS-B | S18B-PHDSS-B | 16.0 | 19.9 | 500 | 250 |
| 20 | B20B-PHDSS | S20B-PHDSS | B20B-PHDSS-B | S20B-PHDSS-B | 18.0 | 21.9 | 250 | 250 |
| 22 | B22B-PHDSS | S22B-PHDSS | B22B-PHDSS-B | S22B-PHDSS-B | 20.0 | 23.9 | 250 | 250 |
| 24 | B24B-PHDSS | S24B-PHDSS | B24B-PHDSS-B | S24B-PHDSS-B | 22.0 | 25.9 | 250 | 200 |
| 26 | B26B-PHDSS | S26B-PHDSS | B26B-PHDSS-B | S26B-PHDSS-B | 24.0 | 27.9 | 250 | 200 |
| 28 | B28B-PHDSS | S28B-PHDSS | B28B-PHDSS-B | S28B-PHDSS-B | 26.0 | 29.9 | 250 | 200 |
| 30 | B30B-PHDSS | S30B-PHDSS | B30B-PHDSS-B | S30B-PHDSS-B | 28.0 | 31.9 | 250 | 200 |
| 32 | B32B-PHDSS | S32B-PHDSS | B32B-PHDSS-B | S32B-PHDSS-B | 30.0 | 33.9 | 250 | 200 |
| 34 | B34B-PHDSS | S34B-PHDSS | B34B-PHDSS-B | S34B-PHDSS-B | 32.0 | 35.9 | 250 | 200 |

Material and Finish

Post: Copper alloy, copper-undercoated, tin-plated (reflow treatment)

Wafer: Glass-filled PA 66, UL94V-0, natural (ivory)

PA 66, UL94V-0, natural (white)

RoHS2 compliance This product displays (LF)(SN) on a label.

<For reference> As the color identification, the following alphabet shall be put in the underlined part. For availability, delivery and minimum order quantity, contact JST.

ex. **B10B-PHDSS**

S...natural (ivory)

ex. **B10B-PHDSS-B**

S...natural (white)

K...black Y...yellow E...blue R...red