



# 2N80

*Power MOSFET*

## 2.4A, 800V N-CHANNEL POWER MOSFET

■ DESCRIPTION

The UTC **2N80** is an N-channel mode power MOSFET using UTC's advanced technology to provide costumers planar stripe and DMOS technology. This technology is specialized in allowing a minimum on-state resistance and superior switching performance. It also can withstand high energy pulse in the avalanche and commutation mode.

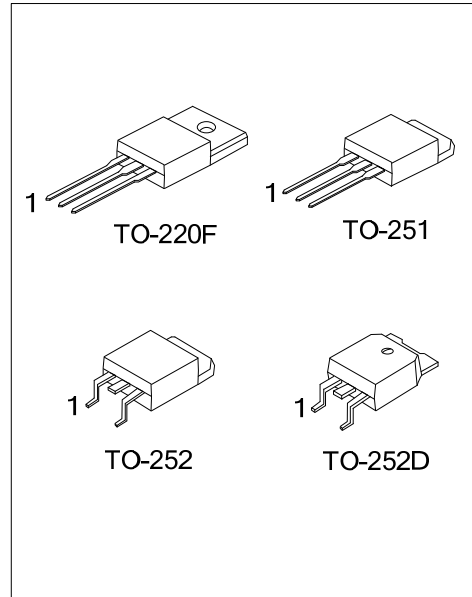
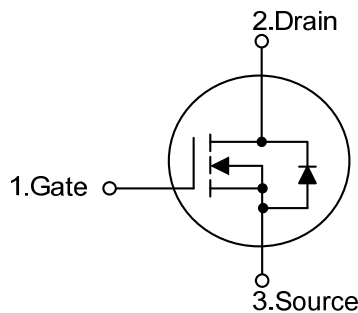
The UTC **2N80** is universally applied in high efficiency switch mode power supply.

■ FEATURES

\*  $R_{DS(on)} < 6.3\Omega @ V_{GS}=10V, I_D=1.2A$

\* High switching speed

■ SYMBOL



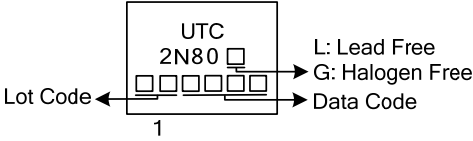
■ ORDERING INFORMATION

Ordering Number		Package	Pin Assignment			Packing
Lead Free	Halogen Free		1	2	3	
2N80L-TF3-T	2N80G-TF3-T	TO-220F	G	D	S	Tube
2N80L-TM3-R	2N80G-TM3-R	TO-251	G	D	S	Tube
2N80L-TN3-R	2N80G-TN3-R	TO-252	G	D	S	Tape Reel
2N80L-TND-R	2N80G-TND-R	TO-252D	G	D	S	Tape Reel

Note: Pin Assignment: G: Gate D: Drain S: Source

<p>2N80L-TF3-T</p> <p>(1)Packing Type (2)Package Type (3)Green Package</p>	<p>(1) T: Tube, R: Tape Reel (2) TF3: TO-220F, TM3: TO-251, TN3: TO-252 TND: TO-252D (3) L: Lead Free, G: Halogen Free and Lead Free</p>
--	--

MARKING



■ ABSOLUTE MAXIMUM RATINGS ( $T_c=25^\circ\text{C}$ , unless otherwise specified)

PARAMETER		SYMBOL	RATINGS	UNIT
Drain-Source Voltage		$V_{DSS}$	800	V
Gate-Source Voltage		$V_{GSS}$	$\pm 30$	V
Avalanche Current (Note 2)		$I_{AR}$	2.4	A
Drain Current	Continuous	$I_D$	2.4	A
	Pulsed (Note 2)	$I_{DM}$	9.6	A
Avalanche Energy	Single Pulsed (Note 3)	$E_{AS}$	180	mJ
	Repetitive (Note 2)	$E_{AR}$	8.5	mJ
Peak Diode Recovery $dv/dt$ (Note 4)		$dv/dt$	4.0	V/ns
Power Dissipation	TO-220F	$P_D$	24	W
	TO-251/TO-252/TO-252D		43	
Junction Temperature		$T_J$	+150	$^\circ\text{C}$
Storage Temperature		$T_{STG}$	-55~+150	$^\circ\text{C}$

Notes: 1. Absolute maximum ratings are those values beyond which the device could be permanently damaged.

Absolute maximum ratings are stress ratings only and functional device operation is not implied.

2. Repetitive Rating: Pulse width limited by maximum junction temperature

3.  $L = 59\text{mH}$ ,  $I_{AS} = 2.4\text{A}$ ,  $V_{DD} = 50\text{V}$ ,  $R_G = 25\ \Omega$ , Starting  $T_J = 25^\circ\text{C}$

4.  $I_{SD} \leq 2.4\text{A}$ ,  $di/dt \leq 200\text{A}/\mu\text{s}$ ,  $V_{DD} \leq BV_{DSS}$ , Starting  $T_J = 25^\circ\text{C}$

■ THERMAL DATA

PARAMETER		SYMBOL	RATINGS	UNIT
Junction to Ambient	TO-220F	$\theta_{JA}$	62.5	$^\circ\text{C}/\text{W}$
	TO-251/TO-252/TO-252D		110	
Junction to Case	TO-220F	$\theta_{JC}$	5.2	$^\circ\text{C}/\text{W}$
	TO-251/TO-252/TO-252D		2.85	

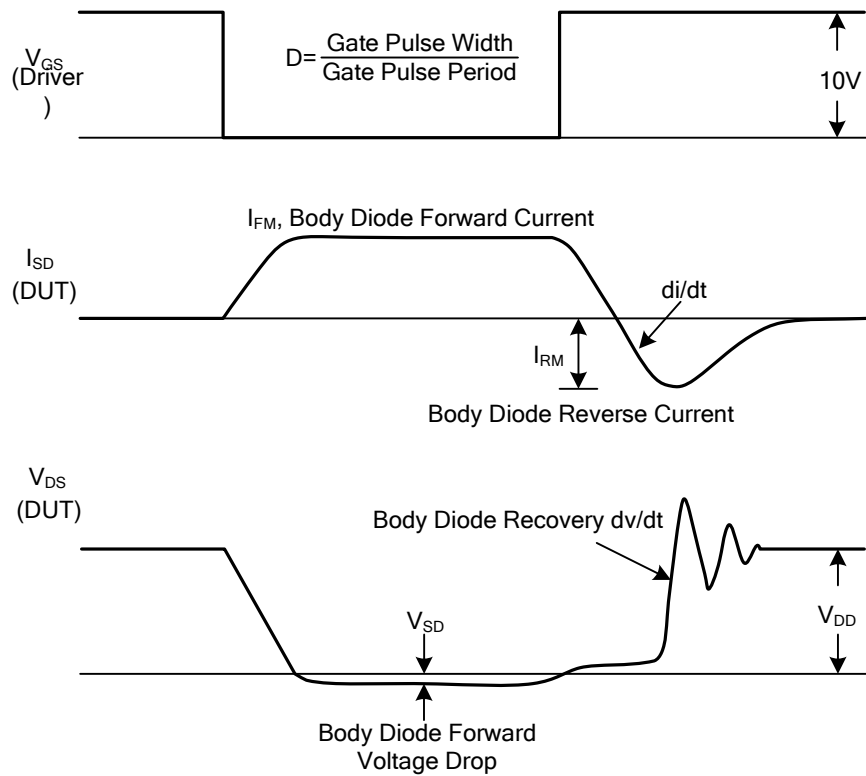
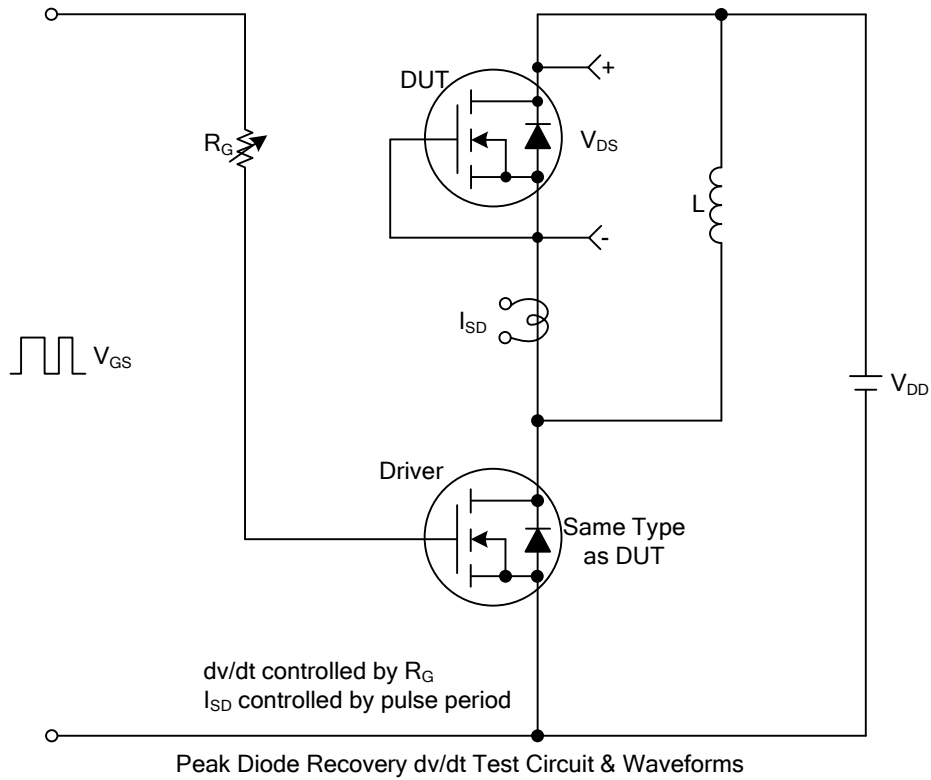
■ ELECTRICAL CHARACTERISTICS ( $T_C=25^\circ\text{C}$ , unless otherwise specified)

PARAMETER		SYMBOL	TEST CONDITIONS	MIN	TYP	MAX	UNIT
<b>OFF CHARACTERISTICS</b>							
Drain-Source Breakdown Voltage		$BV_{DSS}$	$I_D=250\mu\text{A}$ , $V_{GS}=0\text{V}$	800			V
Breakdown Voltage Temperature Coefficient		$\Delta BV_{DSS}/\Delta T_J$	Reference to $25^\circ\text{C}$ , $I_D=250\mu\text{A}$		0.9		$\text{V}/^\circ\text{C}$
Drain-Source Leakage Current		$I_{DSS}$	$V_{DS}=800\text{V}$ , $V_{GS}=0\text{V}$			10	$\mu\text{A}$
			$V_{DS}=640\text{V}$ , $T_C=125^\circ\text{C}$			100	
Gate- Source Leakage Current	Forward	$I_{GSS}$	$V_{GS}=+30\text{V}$ , $V_{DS}=0\text{V}$			+100	nA
	Reverse		$V_{GS}=-30\text{V}$ , $V_{DS}=0\text{V}$			-100	nA
<b>ON CHARACTERISTICS</b>							
Gate Threshold Voltage		$V_{GS(TH)}$	$V_{DS}=V_{GS}$ , $I_D=250\mu\text{A}$	3.0		5.0	V
Static Drain-Source On-State Resistance		$R_{DS(ON)}$	$V_{GS}=10\text{V}$ , $I_D=1.2\text{A}$		4.8	6.3	$\Omega$
Forward Transconductance (Note 1)		$g_{FS}$	$V_{DS}=50\text{V}$ , $I_D=1.2\text{A}$		2.65		S
<b>DYNAMIC PARAMETERS</b>							
Input Capacitance		$C_{ISS}$	$V_{GS}=0\text{V}$ , $V_{DS}=25\text{V}$ , $f=1.0\text{MHz}$		550	650	$\text{pF}$
Output Capacitance		$C_{OSS}$			45	60	
Reverse Transfer Capacitance		$C_{RSS}$			7	9	
<b>SWITCHING PARAMETERS</b>							
Turn-ON Delay Time		$t_{D(ON)}$	$V_{GS}=10\text{V}$ $V_{DD}=30\text{V}$ , $I_D=0.5\text{A}$ , $R_G=25\Omega$ (Note 1,2)		50		ns
Rise Time		$t_R$			60		
Turn-OFF Delay Time		$t_{D(OFF)}$			80		
Fall-Time		$t_F$			40		
Total Gate Charge		$Q_G$	$V_{GS}=10\text{V}$ , $V_{DS}=50\text{V}$ , $I_D=1.3\text{A}$ , $I_G=100\mu\text{A}$ (Note 1,2)		18	28	nC
Gate to Source Charge		$Q_{GS}$			6		
Gate to Drain Charge		$Q_{GD}$			5		
<b>SOURCE- DRAIN DIODE RATINGS AND CHARACTERISTICS</b>							
Maximum Continuous Drain-Source Diode Forward Current		$I_S$				2.4	A
Maximum Pulsed Drain-Source Diode Forward Current		$I_{SM}$				9.6	A
Drain-Source Diode Forward Voltage		$V_{SD}$	$I_S=2.4\text{A}$ , $V_{GS}=0\text{V}$			1.4	V
Reverse Recovery Time (Note 1)		$t_{RR}$	$I_S=2.4\text{A}$ , $V_{GS}=0\text{V}$ ,		480		ns
Reverse Recovery Charge (Note 1)		$Q_{RR}$	$di_F/dt=100\text{A}/\mu\text{s}$		2.0		

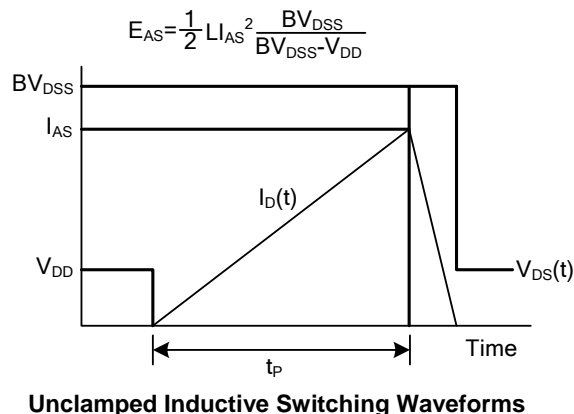
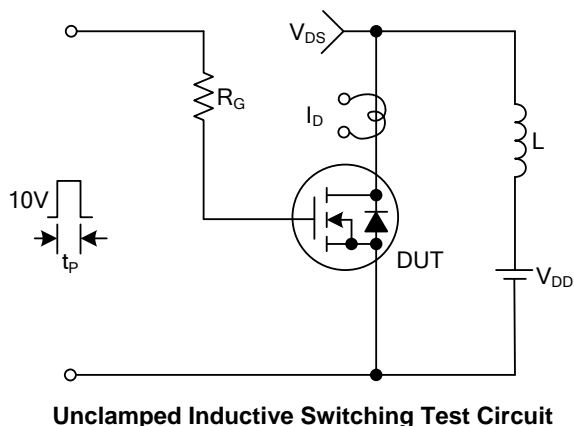
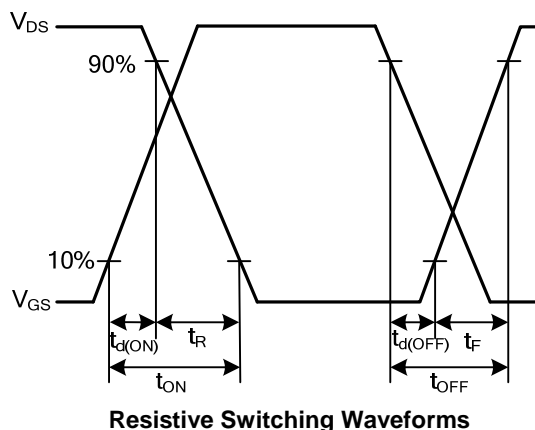
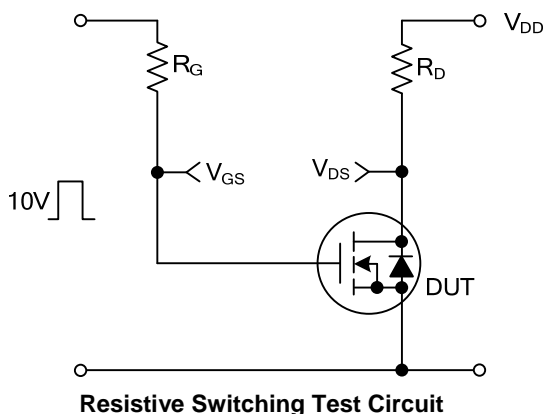
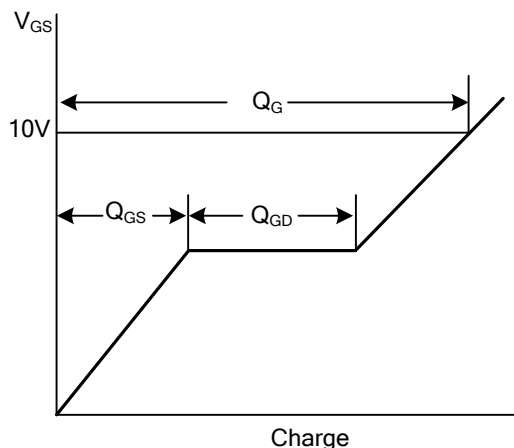
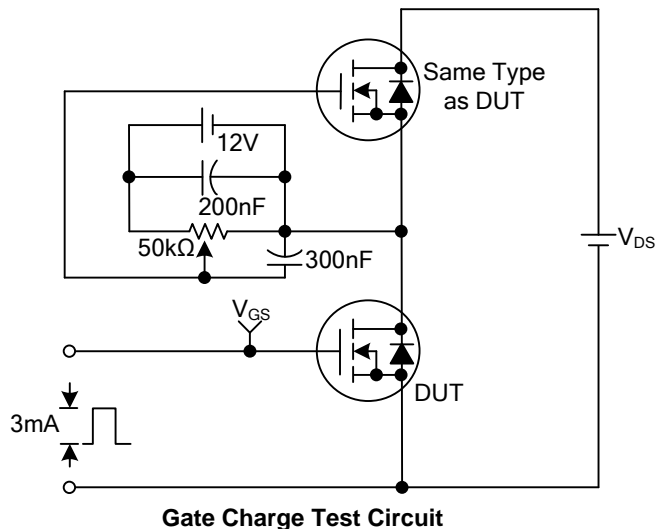
Notes: 1. Pulse Test: Pulse width  $\leq 300\mu\text{s}$ , Duty cycle  $\leq 2\%$

2. Essentially independent of operating temperature

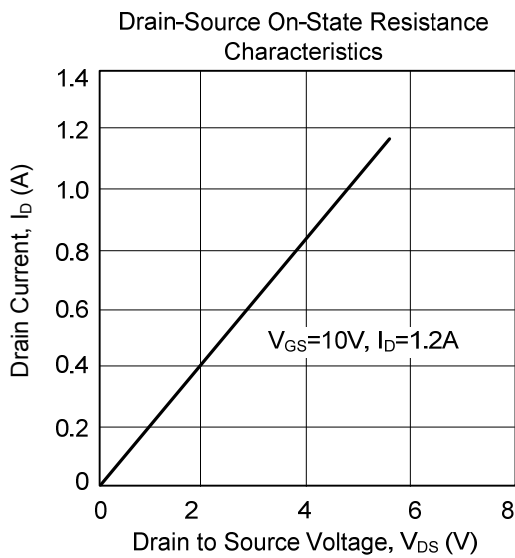
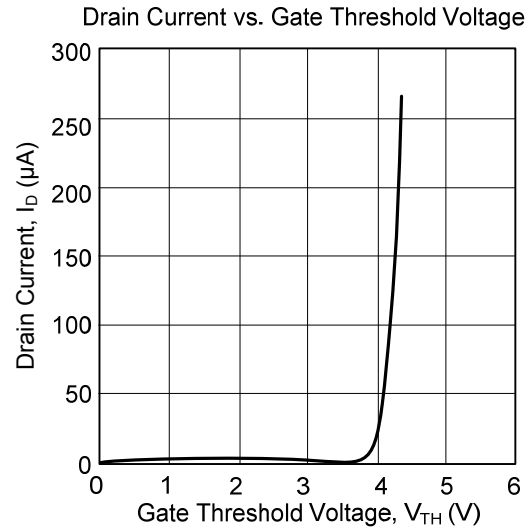
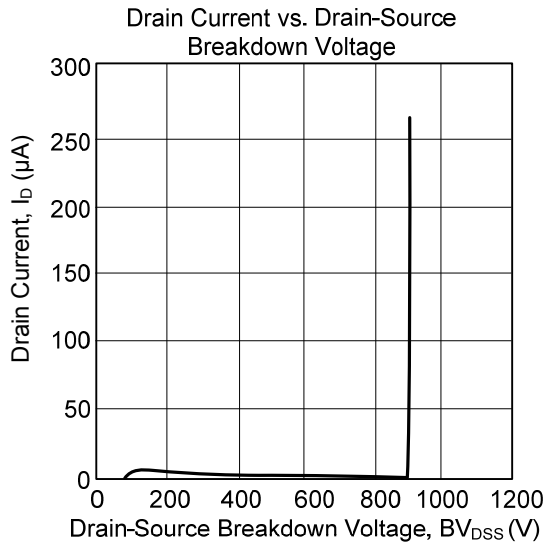
■ TEST CIRCUITS AND WAVEFORMS



## TEST CIRCUITS AND WAVEFORMS(Cont.)



## TYPICAL CHARACTERISTICS



UTC assumes no responsibility for equipment failures that result from using products at values that exceed, even momentarily, rated values (such as maximum ratings, operating condition ranges, or other parameters) listed in products specifications of any and all UTC products described or contained herein. UTC products are not designed for use in life support appliances, devices or systems where malfunction of these products can be reasonably expected to result in personal injury. Reproduction in whole or in part is prohibited without the prior written consent of the copyright owner. The information presented in this document does not form part of any quotation or contract, is believed to be accurate and reliable and may be changed without notice.