

PLEASE CHECK WWW.MOLEX.COM FOR LATEST PART INFORMATION

Part Number: [0912283001](#)
Status: **Active**
Description: 2.54mm (.100") Pitch ChipSIM Connector, 6 Circuits, SMT, With Ejector, With Pegs, Use With Card Holder 91236

Documents:

[3D Model](#) [Product Specification PS-99020-0071 \(PDF\)](#)
[Drawing \(PDF\)](#) [RoHS Certificate of Compliance \(PDF\)](#)

General

Product Family	Memory Card Sockets
Series	91228
Button Type	Push-Push
Component Type	Receptacle (Card)
Product Name	ChipSIM
Type	N/A

Physical

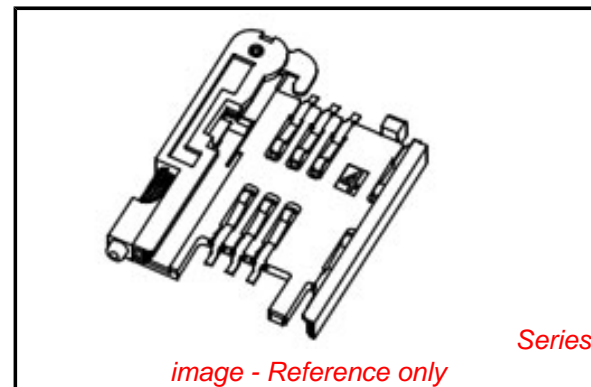
Card Detection Switch	Yes
Circuits (Loaded)	6
Circuits (maximum)	6
Color - Resin	Black, Natural
Durability (mating cycles max)	5,000
Ejector Button Side	Left
Entry Angle	Vertical (Top Entry)
Keying to Mating Part	Yes
Material - Metal	Phosphor Bronze, Piano wire, Stainless Steel
Material - Plating Mating	Gold
Material - Plating Termination	Tin
Material - Resin	High Temperature Thermoplastic
PCB Locator	No
PCB Mounting Side	Normal
PCB Retention	None
Packaging Type	Embossed Tape on Reel
Pitch - Mating Interface (in)	0.100 In, 0.288 In
Pitch - Mating Interface (mm)	2.54 mm, 7.32 mm
Pitch - Term. Interface (in)	0.100 In, 0.288 In
Pitch - Term. Interface (mm)	2.54 mm, 7.32 mm
Plating min: Mating (µin)	4
Plating min: Mating (µm)	0.1
Plating min: Termination (µin)	120
Plating min: Termination (µm)	3
Ports	1
Surface Mount Compatible (SMC)	Yes
Temperature Range - Operating	-30°C to +85°C
Termination Interface: Style	Surface Mount

Electrical

Current - Maximum per Contact	0.5A
Shielded	No
Voltage - Maximum	50V DC
Voltage Key	N/A

Solder Process Data

Duration at Max. Process Temperature (seconds)	5
Lead-free Process Capability	Reflow Capable (SMT only)



EU RoHS

**ELV and RoHS
Compliant**
REACH SVHC
 Not Reviewed
**Halogen-Free
Status**

China RoHS



**Need more information on product
environmental compliance?**

Email productcompliance@molex.com
 For a multiple part number RoHS Certificate of Compliance, [click here](#)

Please visit the [Contact Us](#) section for any non-product compliance questions.

Search Parts in this Series
[91228Series](#)

Max. Cycles at Max. Process Temperature	2
Process Temperature max. C	240

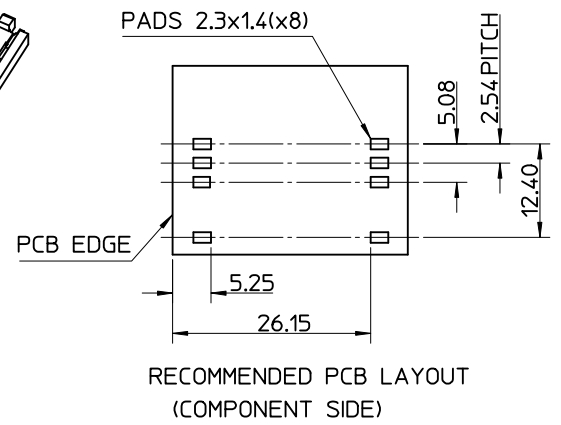
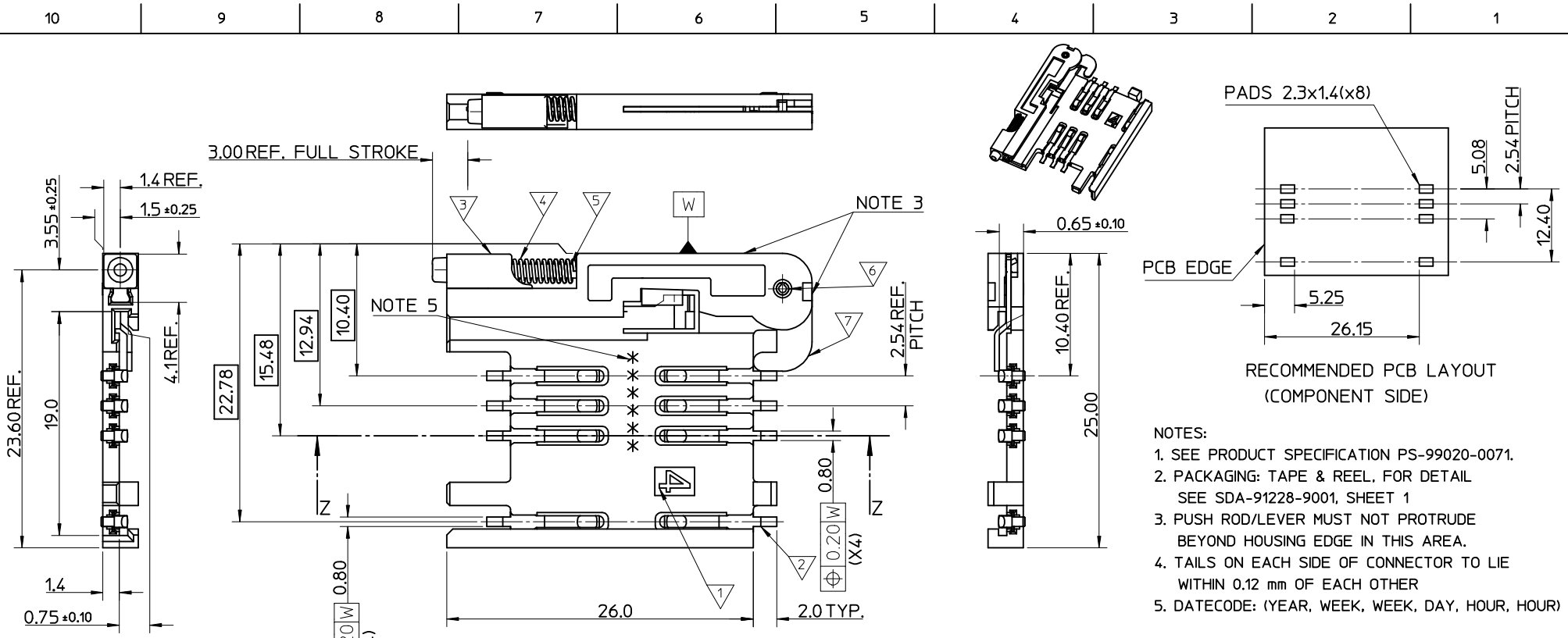
Material Info

Reference - Drawing Numbers

Product Specification	PS-99020-0071
Sales Drawing	SD-91228-001, SDA-91228-9001

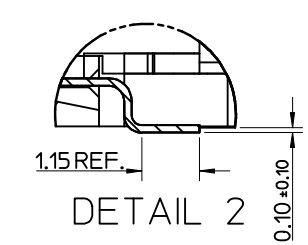
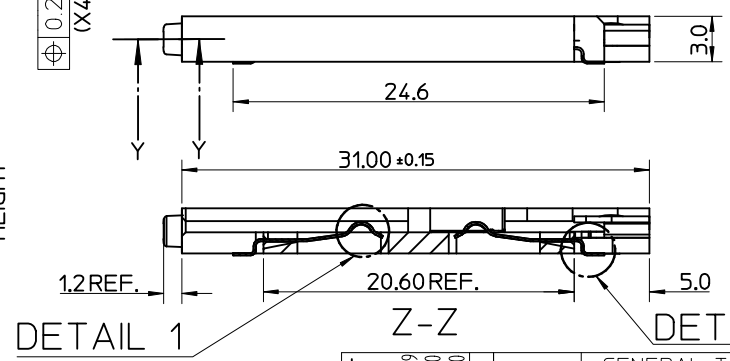
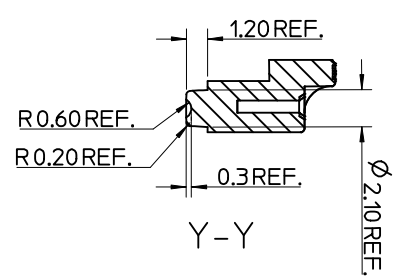
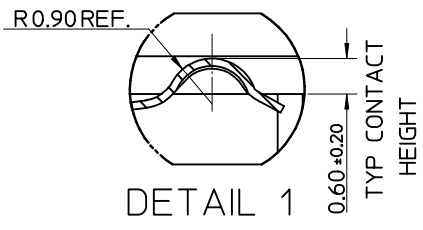
This document was generated on 04/13/2010

PLEASE CHECK WWW.MOLEX.COM FOR LATEST PART INFORMATION



- NOTES:
1. SEE PRODUCT SPECIFICATION PS-99020-0071.
 2. PACKAGING: TAPE & REEL, FOR DETAIL SEE SDA-91228-9001, SHEET 1
 3. PUSH ROD/LEVER MUST NOT PROTRUDE BEYOND HOUSING EDGE IN THIS AREA.
 4. TAILS ON EACH SIDE OF CONNECTOR TO LIE WITHIN 0.12 mm OF EACH OTHER
 5. DATECODE: (YEAR, WEEK, WEEK, DAY, HOUR, HOUR)

ITEM	COMPONENT	QTY	MATERIAL
▽	HOUSING	1	LIQUID CRYSTAL POLYMER (LCP) 30% GLASS FILL, JL94 V-O, COLOUR: BLACK
▽	TERMINAL	8	0.15 PHOSPHOR BRONZE, 0.14µm MIN Au OVER Pd/Ni IN CONTACT AREA 2.54µm MIN Sn ON SMT TAILS
▽	PUSH BUTTON	1	GF POLYAMIDE 6T/66, YELLOW
▽	COIL SPRING	1	0.25 REF THK STAINLESS STEEL
▽	PUSH ROD	1	0.4 REF THK STAINLESS STEEL
▽	C-PIN	1	STEEL
▽	LEVER	1	0.4 REF THK STAINLESS STEEL



MOD TO BUTTON MAT
EC NO: E2009-0597
DRAWN: FDUGGAN
CHKD: 2009/07/30
APPR: EFOLAN
2009/07/30

QUALITY SYMBOLS
▽ = 0
◻ = 0

GENERAL TOLERANCES (UNLESS SPECIFIED)

	mm	INCH
4 PLACES	± ---	± ---
3 PLACES	± ---	± ---
2 PLACES	± 0.05	± ---
1 PLACE	± 0.1	± ---

ANGULAR ± 2 °

DRAFT WHERE APPLICABLE MUST REMAIN WITHIN DIMENSIONS

DIMENSION STYLE
MM ONLY

SCALE
5:1

DESIGN UNITS
METRIC

THIRD ANGLE PROJECTION

DRAWN BY
RFORREY

DATE
2006/11/27

CHECKED BY
FDUGGAN

DATE
2006/11/27

APPROVED BY
EFOLAN

DATE
2006/11/27

MATERIAL NO.
912283001

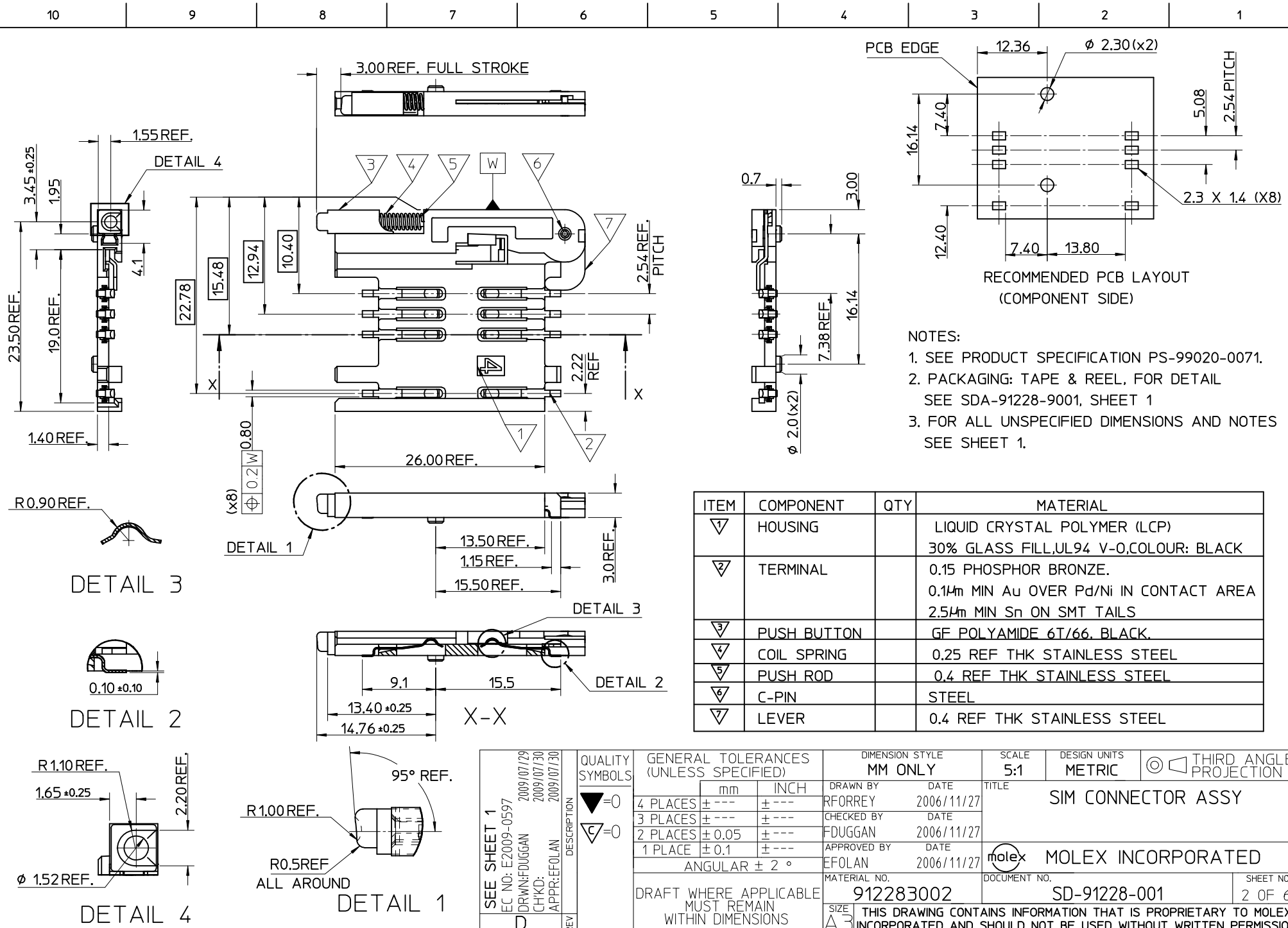
TITLE
SIM CONNECTOR ASSY

MOLEX INCORPORATED

DOCUMENT NO.
SD-91228-001

SHEET NO.
1 OF 6

THIS DRAWING CONTAINS INFORMATION THAT IS PROPRIETARY TO MOLEX INCORPORATED AND SHOULD NOT BE USED WITHOUT WRITTEN PERMISSION

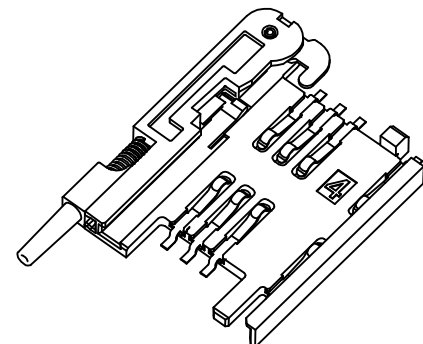
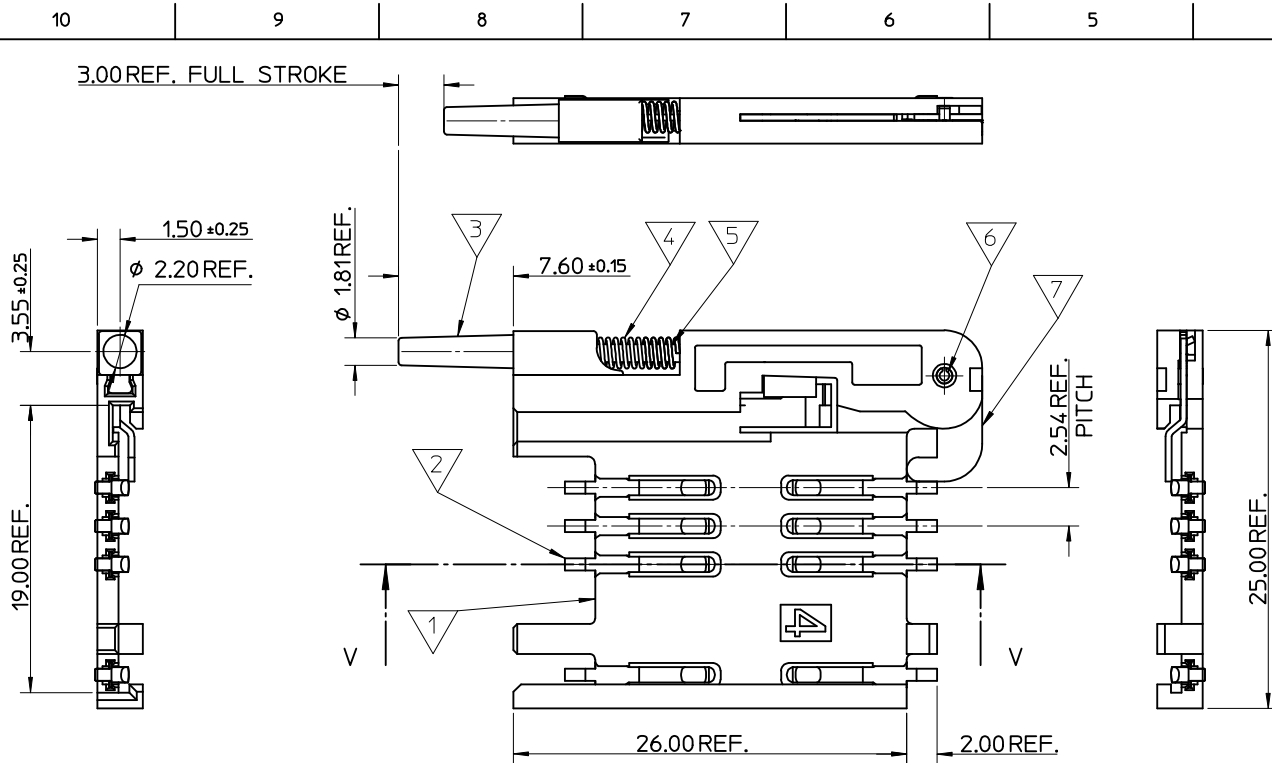


SEE SHEET 1	DESCRIPTION
EC NO: E2009-0597	2009/07/29
DRW: F DUGGAN	2009/07/30
CHKD:	
APPR: EFOLAN	2009/07/30
REV	

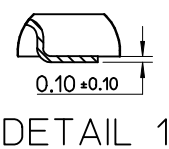
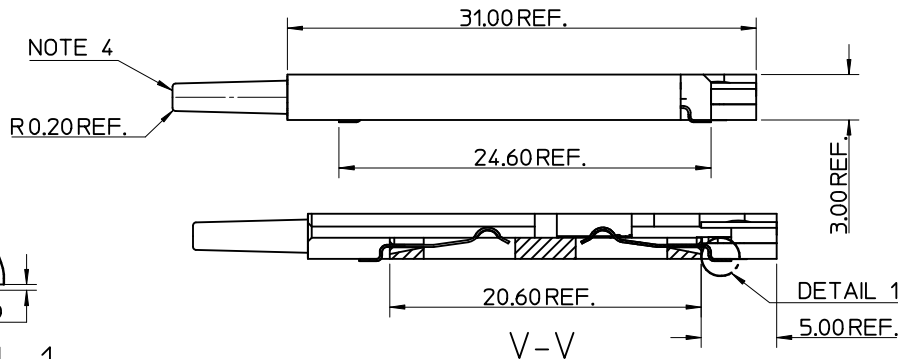
QUALITY SYMBOLS	GENERAL TOLERANCES (UNLESS SPECIFIED)	
	mm	INCH
▽ = 0	± ---	± ---
▽ = 0	± 0.05	± ---
	± 0.1	± ---
	ANGULAR ± 2 °	

DIMENSION STYLE		SCALE	DESIGN UNITS	THIRD ANGLE PROJECTION
MM ONLY		5:1	METRIC	☉
DRAWN BY	DATE	TITLE		
RFORREY	2006/11/27	SIM CONNECTOR ASSY		
CHECKED BY	DATE			
FDUGGAN	2006/11/27			
APPROVED BY	DATE			
EFOLAN	2006/11/27			
MATERIAL NO.	DOCUMENT NO.			
912283002	SD-91228-001			

MATERIAL NO.		DOCUMENT NO.		SHEET NO.
912283002		SD-91228-001		2 OF 6
DRAFT WHERE APPLICABLE MUST REMAIN WITHIN DIMENSIONS				
THIS DRAWING CONTAINS INFORMATION THAT IS PROPRIETARY TO MOLEX INCORPORATED AND SHOULD NOT BE USED WITHOUT WRITTEN PERMISSION				

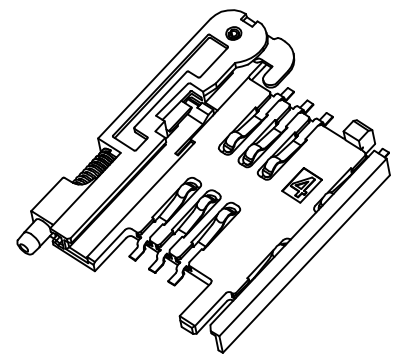
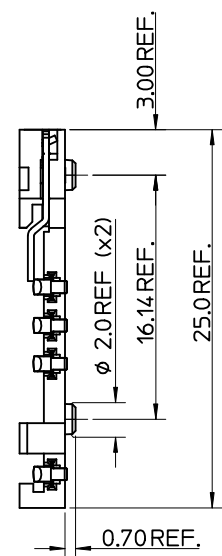
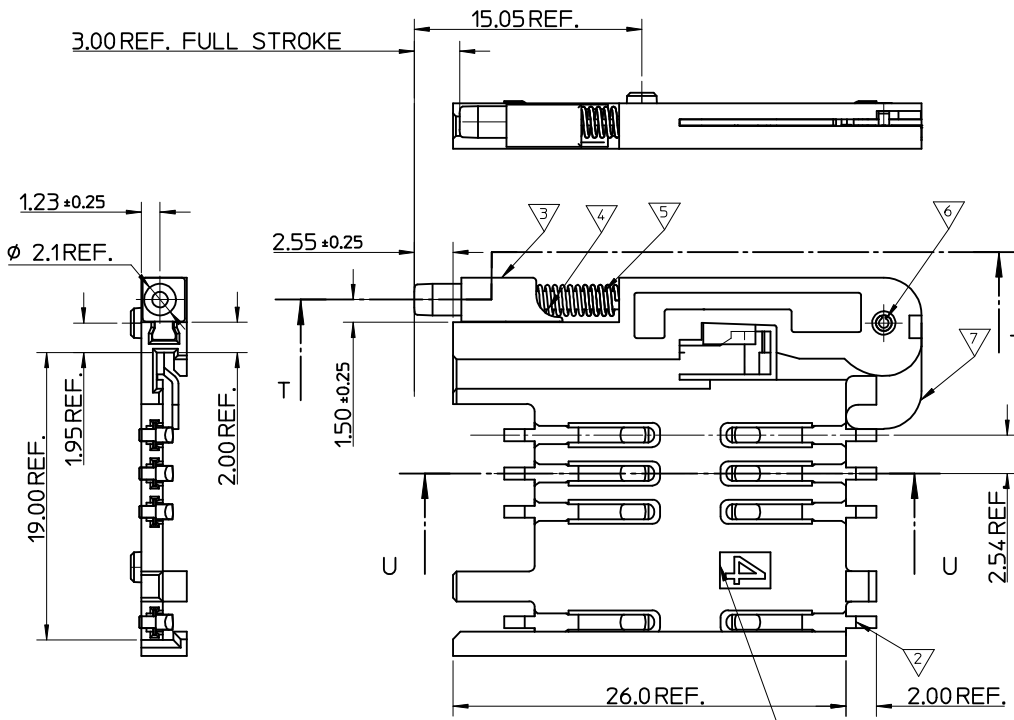


- NOTES:
- SEE PRODUCT SPECIFICATION PS-91228-004.
 - PACKAGING: TAPE & REEL, FOR DETAIL SEE SDA-91228-9001, SHEET 2.
 - SEE SHEET 1 FOR ALL UNSPECIFIED NOTES AND DIMENSIONS.
 - ALLOWABLE FLASH IN THIS AREA 0.3mm MAX.

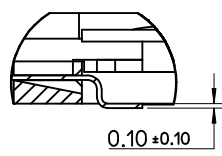


ITEM	COMPONENT	QTY	MATERIAL
▽1	HOUSING	1	LIQUID CRYSTAL POLYMER (LCP) 30% GLASS FILL, UL94 V-0, COLOUR: BLACK
▽2	TERMINAL	8	0.15 PHOSPHOR BRONZE. 0.14μm MIN Au OVER Pd/Ni IN CONTACT AREA 2.54μm MIN Sn ON SMT TAILS
▽3	PUSH BUTTON	1	GF POLYAMIDE 6T/66, NATURAL
▽4	COIL SPRING	1	0.25 REF THK STAINLESS STEEL
▽5	PUSH ROD	1	0.4 REF THK STAINLESS STEEL
▽6	C-PIN	1	STEEL
▽7	LEVER	1	0.4 REF THK STAINLESS STEEL

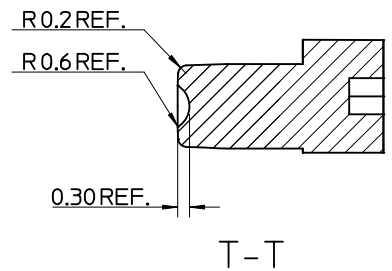
SEE SHEET 1 EC NO: E2009-0597 DRWN: FDUGGAN CHKD: APPR: EFOLAN	2009/07/29 2009/07/30 2009/07/30	DESCRIPTION REV	QUALITY SYMBOLS	GENERAL TOLERANCES (UNLESS SPECIFIED)	DIMENSION STYLE	SCALE	DESIGN UNITS	THIRD ANGLE PROJECTION
			▽=0 C=0	mm INCH	MM ONLY	5:1	METRIC	
			4 PLACES ± --- ± ---	DRAWN BY DATE				
			3 PLACES ± --- ± ---	CHECKED BY DATE				
2 PLACES ± 0.05 ± ---	APPROVED BY DATE							
1 PLACE ± 0.1 ± ---								
			ANGULAR ± 2 °					
			DRAFT WHERE APPLICABLE MUST REMAIN WITHIN DIMENSIONS					
					MATERIAL NO.	DOCUMENT NO.		
					912283005	SD-91228-001		
								SHEET NO.
								3 OF 6



- NOTES:
- SEE PRODUCT SPECIFICATION PS-99020-0071.
 - PACKAGING: TAPE & REEL, FOR DETAIL SEE SDA-91228-9001, SHEET 2.
 - SEE SHEETS 1 & 2 FOR ALL UNSPECIFIED NOTES AND DIMENSIONS.

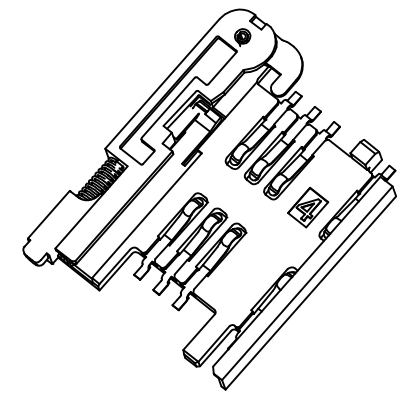
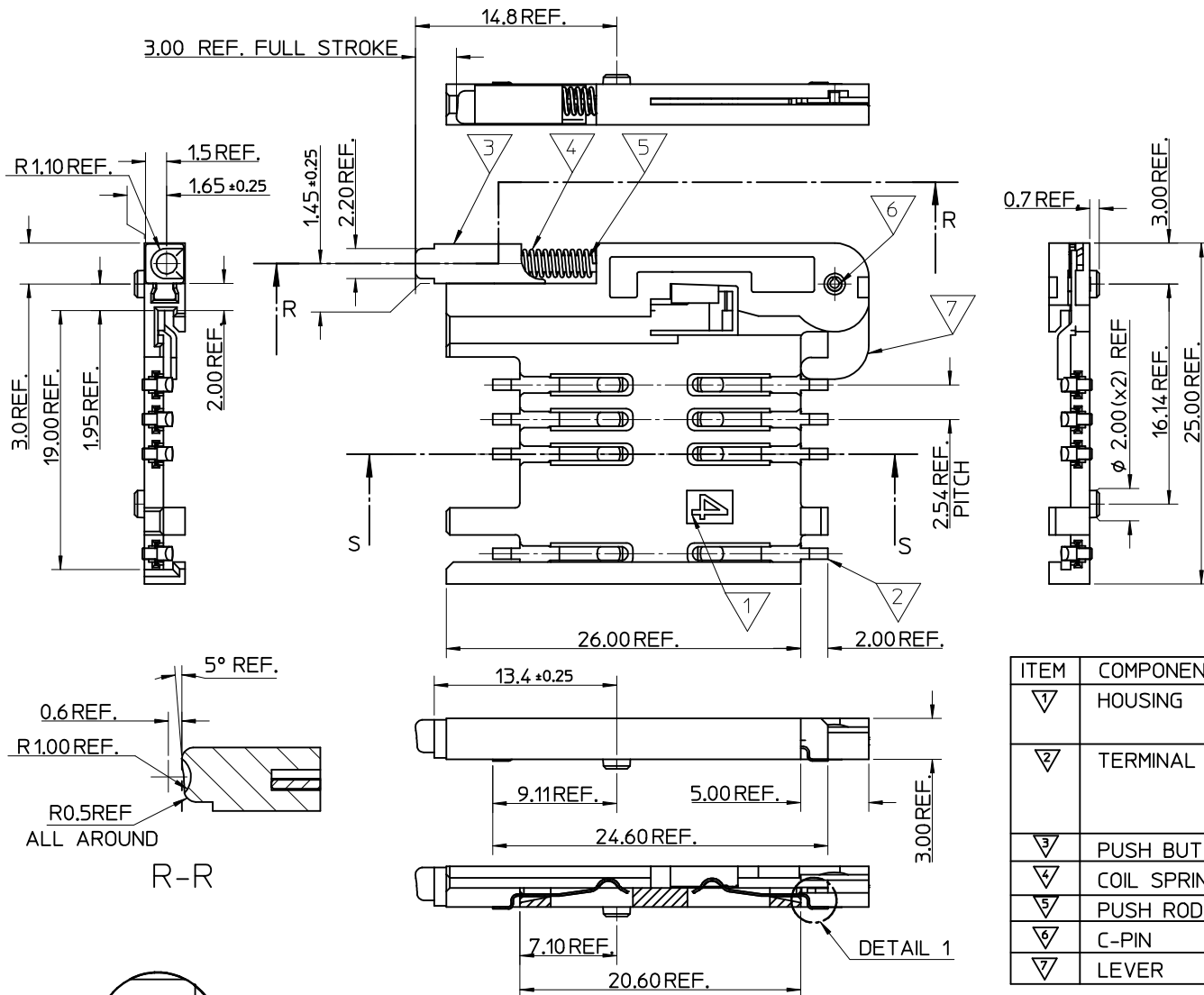


DETAIL 1



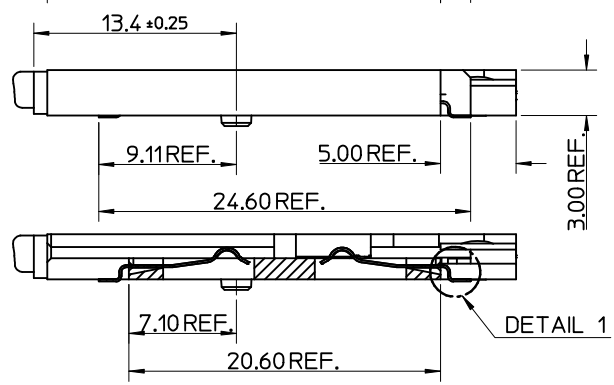
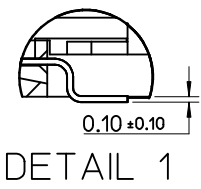
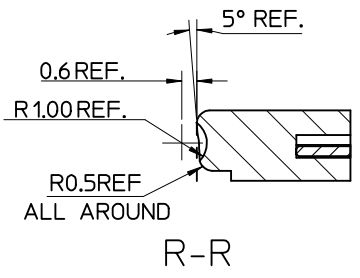
ITEM	COMPONENT	QTY	MATERIAL
▽	HOUSING	1	LIQUID CRYSTAL POLYMER (LCP) 30% GLASS FILL, UL94 V-0, COLOUR: BLACK
▽	TERMINAL	8	0.15 PHOSPHOR BRONZE. 0.14m MIN Au OVER Pd/Ni IN CONTACT AREA 2.54m MIN Sn ON SMT TAILS
▽	PUSH BUTTON	1	GF POLYAMIDE 6T/66, BLACK.
▽	COIL SPRING	1	0.25 REF THK STAINLESS STEEL
▽	PUSH ROD	1	0.4 REF THK STAINLESS STEEL
▽	C-PIN	1	STEEL
▽	LEVER	1	0.4 REF THK STAINLESS STEEL

SEE SHEET 1 EC NO: E2009-0597 DRWN: FDUGGAN CHKD: APPR: EFOLAN	2009/07/29 2009/07/30 2009/07/30	DESCRIPTION QUALITY SYMBOLS ▽ = 0 ◻ = 0	GENERAL TOLERANCES (UNLESS SPECIFIED)		DIMENSION STYLE	SCALE	DESIGN UNITS	THIRD ANGLE PROJECTION		
					MM ONLY	5:1	METRIC	TITLE		
			4 PLACES	± ---	± ---	DRAWN BY	DATE	SIM CONNECTOR ASSY		
			3 PLACES	± ---	± ---	RFORREY	2006/11/27			
2 PLACES	± 0.05	± ---	CHECKED BY	DATE	MOLEX INCORPORATED					
1 PLACE	± 0.1	± ---	FDUGGAN	2006/11/27						
ANGULAR ± 2 °			APPROVED BY	DATE	MATERIAL NO.		DOCUMENT NO.	SHEET NO.		
DRAFT WHERE APPLICABLE MUST REMAIN WITHIN DIMENSIONS			EFOLAN	2006/11/27	912283006		SD-91228-001	4 OF 6		
			SIZE	THIS DRAWING CONTAINS INFORMATION THAT IS PROPRIETARY TO MOLEX INCORPORATED AND SHOULD NOT BE USED WITHOUT WRITTEN PERMISSION						
			A3							



- NOTES:
1. SEE PRODUCT SPECIFICATION PS-99020-0071.
 2. PACKAGING: TAPE & REEL, FOR DETAIL SEE SDA-91228-9001, SHEET 1.
 3. SEE SHEET 1 FOR ALL UNSPECIFIED NOTES AND DIMENSIONS.

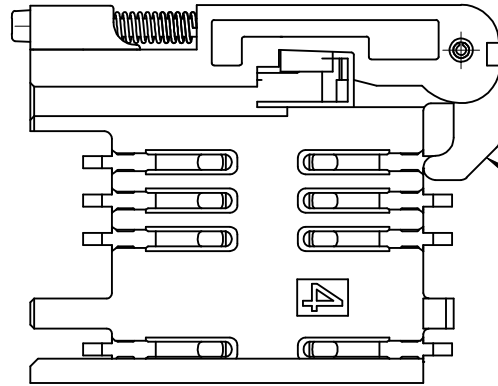
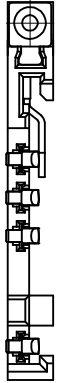
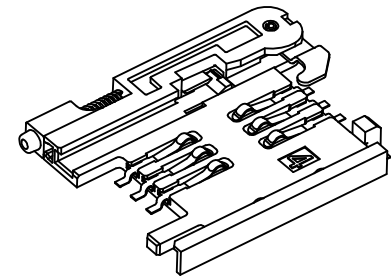
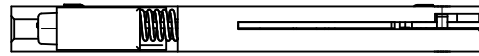
ITEM	COMPONENT	QTY	MATERIAL
▽	HOUSING	1	LIQUID CRYSTAL POLYMER (LCP) 30% GLASS FILL, UL94 V-0, COLOUR: BLACK
▽	TERMINAL	8	0.15 PHOSPHOR BRONZE. 0.14mm MIN Au OVER Pd/Ni IN CONTACT AREA 2.54mm MIN Sn ON SMT TAILS
▽	PUSH BUTTON	1	GF POLYAMIDE 6T/66, BLUE
▽	COIL SPRING	1	0.25 REF THK STAINLESS STEEL
▽	PUSH ROD	1	0.4 REF THK STAINLESS STEEL
▽	C-PIN	1	STEEL
▽	LEVER	1	0.4 REF THK STAINLESS STEEL



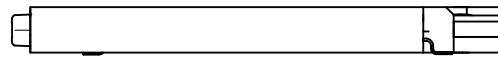
SEE SHEET 1	DESCRIPTION
EC NO: E2009-0597	2009/07/29
DRWN:FDUGGAN	2009/07/29
CHKD:	
APPR:EFOLAN	2009/07/30
REV	

QUALITY SYMBOLS	DESCRIPTION
▽=0	
◻=0	

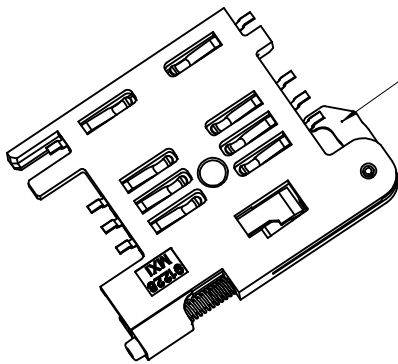
GENERAL TOLERANCES (UNLESS SPECIFIED)	DIMENSION STYLE	SCALE	DESIGN UNITS	THIRD ANGLE PROJECTION
	MM ONLY	5:1	METRIC	
4 PLACES ± ---	DRAWN BY	DATE	TITLE	
3 PLACES ± ---	RFORREY	2006/11/27	SIM CONNECTOR ASSY	
2 PLACES ± 0.05	CHECKED BY	DATE		
1 PLACE ± 0.1	FDUGGAN	2006/11/27		
	APPROVED BY	DATE		
	EFOLAN	2006/11/27		
	ANGULAR ± 2 °			
DRAFT WHERE APPLICABLE MUST REMAIN WITHIN DIMENSIONS	MATERIAL NO.	DOCUMENT NO.	SHEET NO.	
	912283007	SD-91228-001	5 OF 6	
	SIZE A3	THIS DRAWING CONTAINS INFORMATION THAT IS PROPRIETARY TO MOLEX INCORPORATED AND SHOULD NOT BE USED WITHOUT WRITTEN PERMISSION		



NOTE 4



NOTE 6
BLACK COLOUR
THIS FACE



NOTES:

1. SEE PRODUCT SPECIFICATION PS-91228-016
2. PACKAGING: TAPE & REEL, FOR DETAIL SEE SDA-91228-9001, SHEET 1
3. FOR ALL UNSPECIFIED DIMENSIONS AND NOTES SEE SHEET 1.
4. 5mm EJECTOR LEVER
5. CARD HOLDER EJECTION DISTANCE: 5.0±0.3mm
6. LEVER FACE TO BE COLOURED BLACK WITH ALCOHOL BASED INK.

SEE SHEET 1 EC NO: E2009-0597 DRWN:FDUGGAN 2009/07/29 CHKD: 2009/07/30 APPR:EFOLAN 2009/07/30	DESCRIPTION REV	QUALITY SYMBOLS	GENERAL TOLERANCES (UNLESS SPECIFIED)	DIMENSION STYLE	SCALE	DESIGN UNITS	THIRD ANGLE PROJECTION
		▼=0 □=0	mm INCH	MM ONLY	3:1	METRIC	
			4 PLACES ± --- ± ---	DRAWN BY DATE			TITLE
			3 PLACES ± --- ± ---	RFORREY 2006/11/27			SIM CONNECTOR ASSY
	2 PLACES ± 0.05 ± ---	CHECKED BY DATE					
	1 PLACE ± 0.1 ± ---	FDUGGAN 2006/11/27					
	ANGULAR ± 2 °	APPROVED BY DATE					
		EFOLAN 2006/11/27					
		MATERIAL NO.					
		912283016					
		DRAFT WHERE APPLICABLE MUST REMAIN WITHIN DIMENSIONS					
		SIZE					
		A3					
		THIS DRAWING CONTAINS INFORMATION THAT IS PROPRIETARY TO MOLEX INCORPORATED AND SHOULD NOT BE USED WITHOUT WRITTEN PERMISSION					

