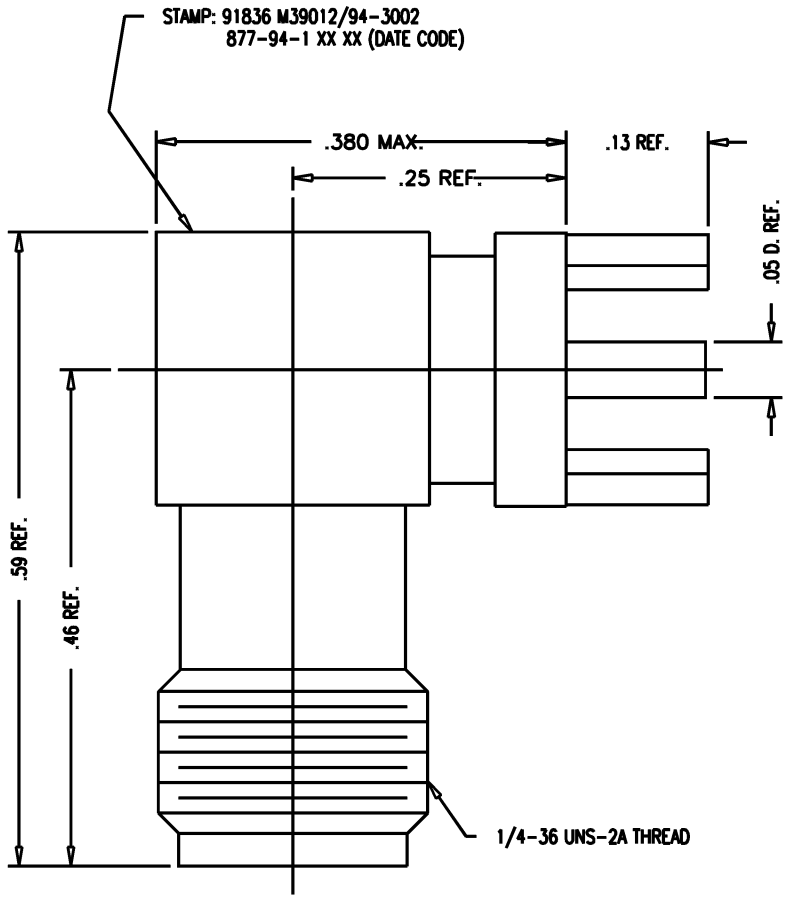
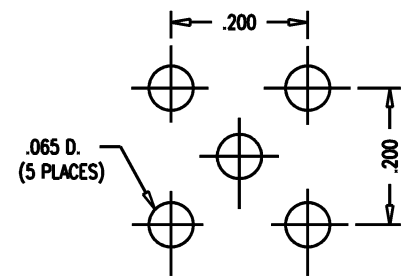
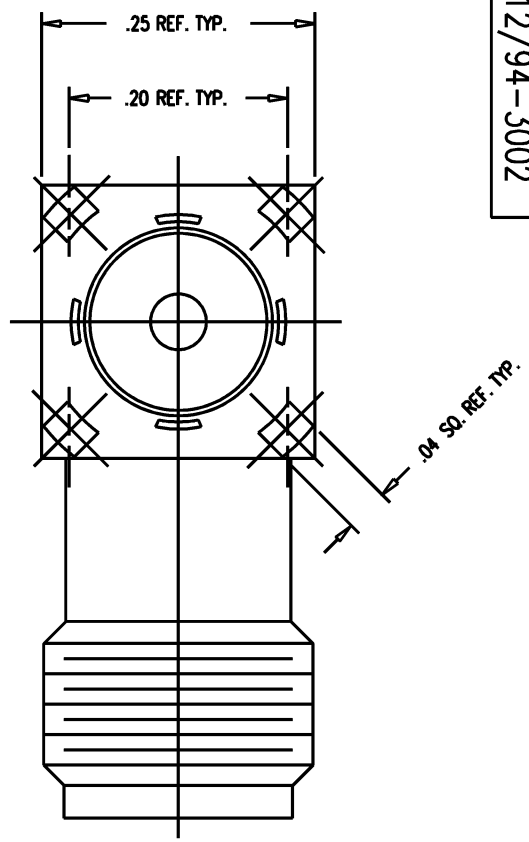


| | | |
|----------|--------|-----------|
| DASH NO. | M CODE | MADE FROM |
|----------|--------|-----------|



- NOTES:
1. INTERFACE PER MIL-STD-348 FIG. 310-2.
 2. MATERIALS:
INSULATORS: TEFLON, ASTM-D4894
CENTER CONTACT: BER. COP., ASTM-B196
ALL OTHER PARTS: STAINLESS STEEL, SAE-AMS-00-S-763
 3. FINISHES:
ALL METAL PARTS: HARD GOLD PLATE PER ASTM-B488
 4. ELECTRICAL CHARACTERISTICS:
NOMINAL IMPEDANCE: 50 OHMS
VOLTAGE RATING: 1000 VRMS

GSD



MOUNTING HOLES

GSD

M39012/94-3002

| REVISIONS | |
|-----------|----------------------------|
| ISSUE | CHANGES |
| 0 | ER 32925 JCA 03/01/91 |
| 1 | CN 34192 E KH 10/15/92 |
| 2 | CN 34485 C KH 03/05/93 |
| 3 | CN 39474 A DCT 6/13/96 |
| 4 | CN 39552 C JPK 08/07/06 |
| 5 | CN 39815 C PMC 2/28/07 |

| | |
|--|--------------|
| SCALE | 8:1 |
| APPROX SURFACE AREA | 877-94-1 |
| USED ON | |
| REF: | |
| RCPT, P.C.B., ANG, SMA | |
| DRAWN | JCA 00/01/91 |
| DESIGN | GA 03/01/91 |
| APPR. | DATE |
| KINGS ELECTRONICS CO., INC. ROCK HILL, SOUTH CAROLINA 29730 | |
| M39012/94-3002 | |