

TECHNICAL CHARACTERISTICS

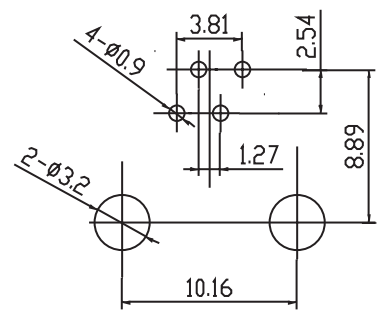
MATERIAL  
 INSULATOR MATERIAL: PBT  
 FLAMMABILITY RATING: UL94-V0  
 COLOR: BLACK  
 CONTACT MATERIAL: COPPER ALLOY  
 CONTACT TYPE: STAMPED  
 CONTACT PLATING: GOLD  
 QUALITY CLASS: 500 MATING CYCLES

ENVIRONMENTAL  
 OPERATING TEMPERATURE: -25 °C UP TO 85 °C  
 COMPLIANCE: LEAD FREE AND ROHS

ELECTRICAL  
 CURRENT RATING: 1.5 A  
 WORKING VOLTAGE: 120 VAC  
 INSULATION RESISTANCE: >500 mΩ  
 DIELECTRIC WITHSTANDING VOLTAGE: 1 000 VAC/MIN  
 CONTACT RESISTANCE: 20 mΩ MAX

SOLDERING  
 JEDEC LEAD FREE WAVE SOLDERING PROCESS

PACKAGING  
 TRAY



PCB LAYOUT - COMPONENT VIEW

|                |           |                |    |                 |   |                               |  |                   |
|----------------|-----------|----------------|----|-----------------|---|-------------------------------|--|-------------------|
| RoHS Compliant |           |                |    | PROJECTION:<br> | GENERAL TOLERANCE<br>.X = +/- 0.2<br>.XX = +/- 0.15 |                               | DESCRIPTION: RJ11 6P4C HORIZONTAL TAB DOWN | SIZE<br><b>A4</b> |
| G              |           |                |    |                 |   |                               |  |                   |
| F              |           |                |    |                 |   |                               |  |                   |
| E              |           |                |    |                 |   |                               |  |                   |
| D              |           |                |    | APPROVAL: RJ    | UNIT: MM  | WERI PART NO: 615 004 141 121 |  |                   |
| C              | 28-JUL-14 | GENERAL UPDATE | AS |                 | SCALE:  |                               |  |                   |
| B              | 03-JAN-14 | TPK DWG ADD    | QL |                 | SHEET: 1/1  |                               |  |                   |
| A              | 24-APR-08 | PDF            | CH |                 | DRAW:   |                               |  |                   |
| REV            | DATE      | FILE           | BY |                 |   |                               |  |                   |

1

2

3

4

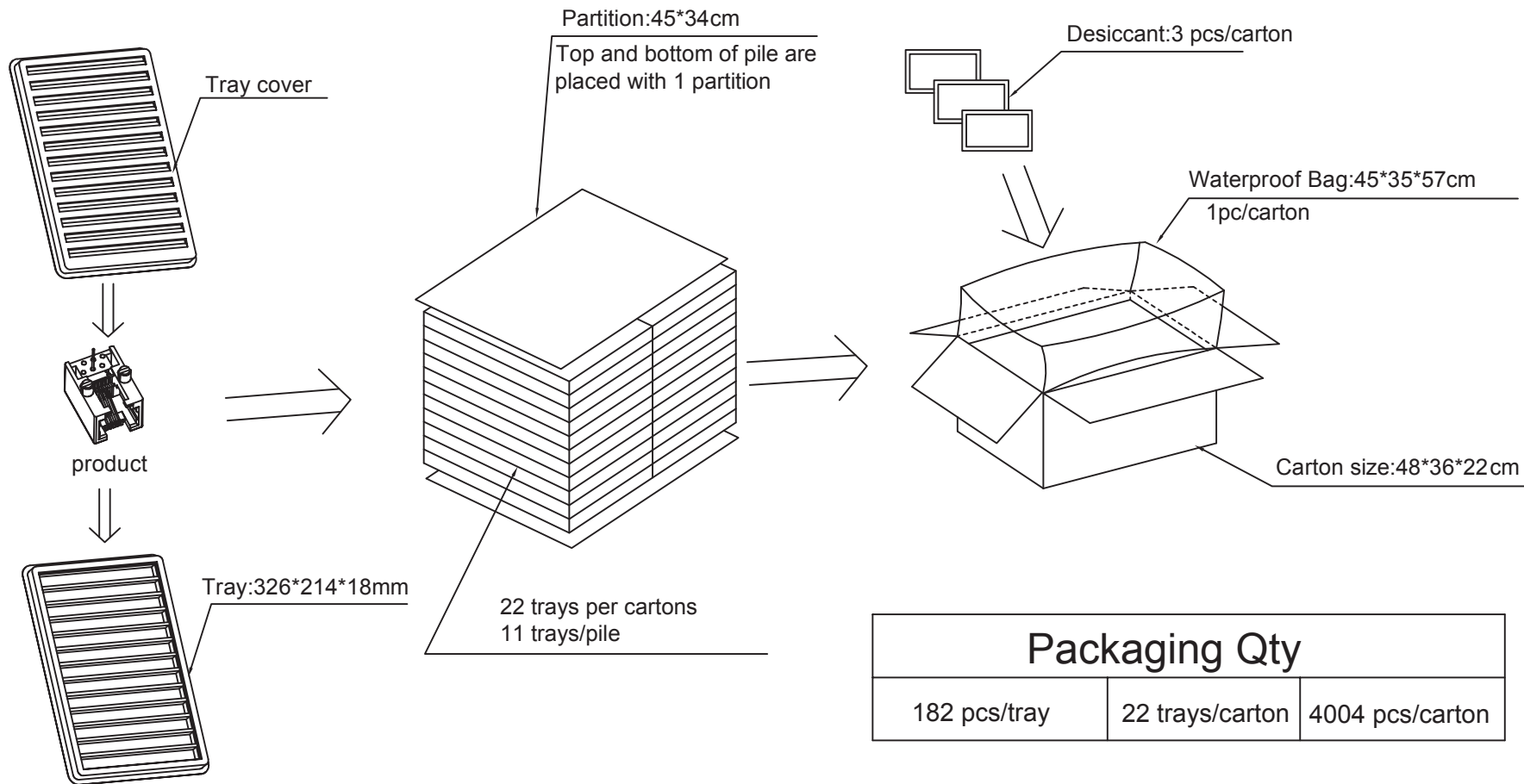
5

A

B

C

D



RoHS Compliant

|     |      |      |    |
|-----|------|------|----|
| G   |      |      |    |
| F   |      |      |    |
| E   |      |      |    |
| D   |      |      |    |
| C   |      |      |    |
| B   |      |      |    |
| A   |      |      |    |
| REV | DATE | FILE | BY |

PROJECTION:

GENERAL TOLERANCE

.X = +/- 0.2

.XX = +/- 0.15

DESCRIPTION: RJ11 6P4C HORIZONTAL TAB DOWN

APPROVAL: RJ

UNIT: MM

SCALE:

SHEET: 1/1

DRAW:

WERI PART NO: 615 004 141 121

SIZE

**A4**