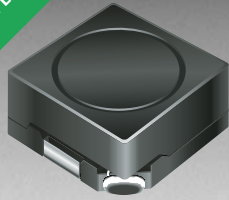


*RoHS COMPLIANT



BOURNS®

Features

- Available in E6 series
- Low unit height of 4.8 mm
- High current
- RoHS compliant*

Applications

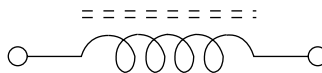
- Input/output of DC/DC converters
- Power supplies for:
 - Portable communication equipment
 - Camcorders
 - LCD TVs
 - Car radios

SRR0604 Series - Shielded Power Inductors

Electrical Specifications

| Bourns Part No. | Inductance 1kHz | | Q Ref. | Test Frequency (MHz) | SRF Min. (MHz) | RDC (Ω) | I rms Max. (A) | I sat Typ. (A) |
|-----------------|-----------------|--------|--------|----------------------|----------------|---------|----------------|----------------|
| | (μH) | Tol. % | | | | | | |
| SRR0604-1R5ML | 1.5 | ± 20 | 23 | 7.96 | 110.0 | 0.028 | 2.80 | 3.95 |
| SRR0604-2R5ML | 2.5 | ± 20 | 21 | 7.96 | 100.0 | 0.035 | 2.50 | 3.50 |
| SRR0604-3R3ML | 3.3 | ± 20 | 21 | 7.96 | 90.0 | 0.050 | 2.30 | 2.90 |
| SRR0604-4R7ML | 4.7 | ± 20 | 10 | 7.96 | 50.0 | 0.060 | 2.00 | 2.55 |
| SRR0604-6R8ML | 6.8 | ± 20 | 20 | 7.96 | 37.0 | 0.070 | 1.60 | 2.05 |
| SRR0604-100ML | 10 | ± 20 | 18 | 2.52 | 30.0 | 0.12 | 1.30 | 1.80 |
| SRR0604-150ML | 15 | ± 20 | 18 | 2.52 | 30.0 | 0.13 | 1.10 | 1.45 |
| SRR0604-220ML | 22 | ± 20 | 16 | 2.52 | 25.0 | 0.19 | 0.90 | 1.20 |
| SRR0604-330KL | 33 | ± 10 | 16 | 2.52 | 21.0 | 0.25 | 0.70 | 0.95 |
| SRR0604-470KL | 47 | ± 10 | 15 | 2.52 | 18.0 | 0.35 | 0.60 | 0.80 |
| SRR0604-680KL | 68 | ± 10 | 15 | 2.52 | 15.0 | 0.52 | 0.50 | 0.68 |
| SRR0604-101KL | 100 | ± 10 | 23 | 0.796 | 13.0 | 0.65 | 0.40 | 0.57 |
| SRR0604-151KL | 150 | ± 10 | 21 | 0.796 | 12.0 | 1.00 | 0.30 | 0.47 |
| SRR0604-221KL | 220 | ± 10 | 20 | 0.796 | 10.0 | 1.70 | 0.25 | 0.32 |
| SRR0604-331KL | 330 | ± 10 | 18 | 0.796 | 7.0 | 2.10 | 0.20 | 0.28 |
| SRR0604-471KL | 470 | ± 10 | 18 | 0.796 | 6.5 | 3.30 | 0.18 | 0.22 |
| SRR0604-681KL | 680 | ± 10 | 16 | 0.796 | 6.0 | 4.80 | 0.15 | 0.19 |
| SRR0604-102KL | 1000 | ± 10 | 15 | 0.252 | 5.5 | 6.10 | 0.12 | 0.15 |

Electrical Schematic



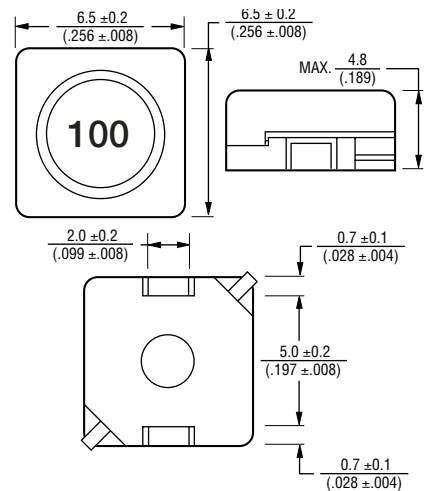
General Specifications

Test Voltage1 Volt
 Reflow Soldering230 °C; 50 sec max.
 Operating Temperature ..-40 °C to +125 °C
 (Temperature rise included)
 Storage Temperature...-40 °C to +125 °C
 Resistance to Soldering Heat
260 °C for 5 sec.

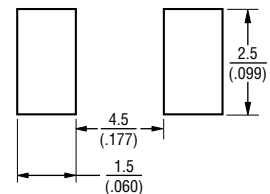
Materials

Core MaterialFerrite DR & RI
 WireEnameled Copper
 BaseLCP E4008
 Terminal.....Cu/Ni/Sn
 Rated Current ..Ind. drop 10 % typ at I sat
 Temperature Rise ..40 °C max at rated I rms
 Packaging.....1000 pcs. per reel

Product Dimensions



Recommended Layout



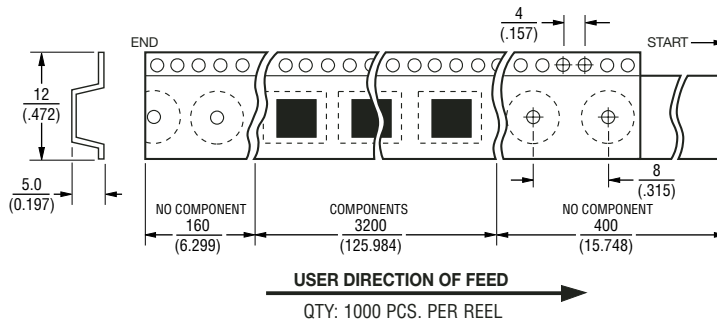
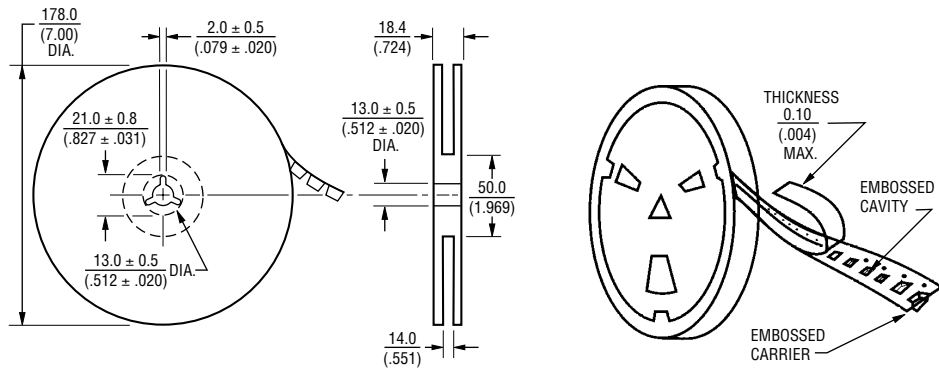
DIMENSIONS: $\frac{\text{MM}}{\text{(INCHES)}}$

*RoHS Directive 2002/95/EC Jan 27 2003 including Annex
 Specifications are subject to change without notice.
 Customers should verify actual device performance in their specific applications.

SRR0604 Series - Shielded Power Inductors

BOURNS®

Packaging Specifications



DIMENSIONS: $\frac{\text{MM}}{\text{(INCHES)}}$

REV. 05/05

Specifications are subject to change without notice.
Customers should verify actual device performance in their specific applications.