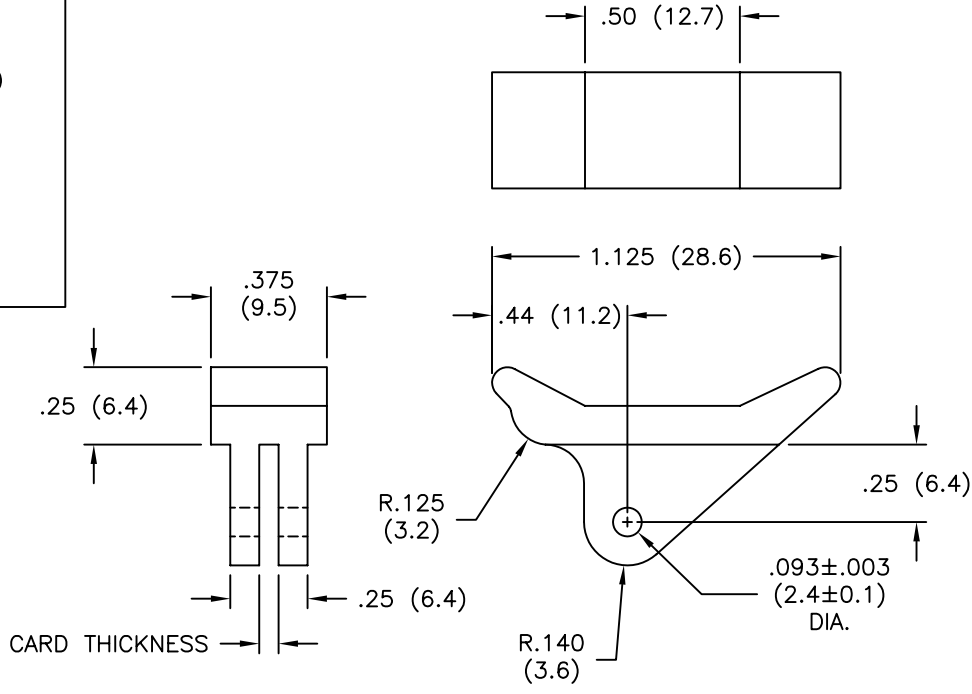
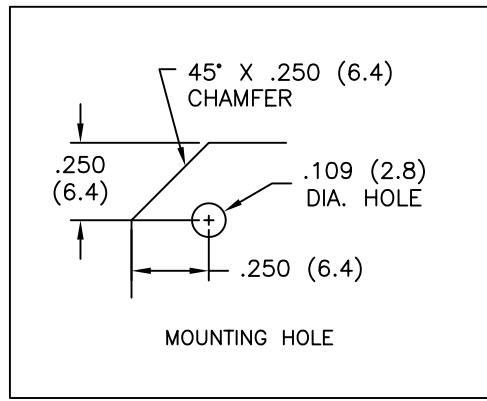


PART NO.	CARD THICKNESS
RCP-06	1/16 (1.6)
RCP-09	3/32 (2.4)



NOTES:

1. MATERIAL: NYLON 6/6 (RMS-48).
2. COLOR: WHITE.
3. INSTALLATION ROLL PIN NO. RRP-250, MATERIAL: PASSIVATED STAINLESS STEEL PER MIL-P-10971. COLOR: SILVER.  
 3/32 (2.4) DIA. X 1/4 (6.4) LONG, FURNISHED WITH EJECTORS.

TITLE: CARD EJECTORS		DWG IN IN (MM)		FINAL	
FILE # RCP		DWN: P.B.		APP:	
MAT'L: SEE NOTES		DT: 04-07-94		DT:	
RE: RICHCO, INC.		RICHCO INC.		PART #	
		PO BOX 804238, CHICAGO, 60680		SEE TABLE	
		(773) 539-4060		PRINT TYPE	
				CA	

REV	DESCRIPTION	ENGR	DATE
D	ADDED MOUNTING HOLE DETAIL, ECN #659	SM	07.02.03
C	ADDED NOTE 3 (ECN #472)	SM	09.26.02
B	CHANGED FILE NUMBER	SM	05.15.01
A	MAT'L COLOR WHITE WAS NATURAL	J.L.	3.17.99

TOLERANCES UNLESS NOTED  
 .XX=±.010  
 .XXX=±.005  
 FRAC=±1/64  
 ANG=±1°