

CIQD0897

Type CIQ Surface Mount Fast-Acting Chip Fuse



Electrical Characteristics

Testing current	Blow Time	
	Minimum	Maximum
100%	4 Hrs.	N/A
200%	N/A	2 sec
300%	N/A	0.2 sec

Approvals



Safety Agency Approvals	Amp range / Volt @ I.R. ability
Listed File No. E20624 Certified No. LR39772	1A - 3A / 125V AC @ 100A and 63V DC @ 50A

Environmental Specification

Soldering conditions

Infrared Reflow: 260°C, 20 sec max.
Wave Solder: 260°C, 10 sec max. (MIL-STD-202, Method 210)
Solderability: MIL-STD-202, Method 208

Operating Temperature

-55°C to +125°C

Shock

MIL-STD-202, Method 213, Test Condition I
(100 G's peak for 6 milliseconds)

Vibration

MIL-STD-202, Method 201 (10-55 Hz, 0.06 inch, total excursion)

Salt Spray

MIL-STD-202, Method 101, Test Condition B (48hrs)

Insulation Resistance

MIL-STD-202, Method 302, Test Condition A
(After Opening) 10,000 ohms minimum

Resistance to Solder Heat

MIL-STD-202, Method 210, Test Condition F
(20sec, at 260°C)

Thermal Shock

MIL-STD-202, Method 107, Test Condition B
(-65°C to +125°C)

Catalog Number	Ampere Rating	Typical cold Resistance (ohm)	Volt-drop @100% In (Volt) max.	Melting 1 st T < 10 mSec (A ² Sec)	Melting 1 st T @10 In (A ² Sec)	Maximum Power Dissipation (W)
CIQ 1	1.A	0.182	0.27	0.060	0.0026	0.29
CIQ 1.25	1.25A	0.138	0.24	0.082	0.0043	0.33
CIQ 1.5	1.5A	0.112	0.23	0.105	0.0063	0.38
CIQ 2	2.A	0.079	0.21	0.15	0.012	0.45
CIQ 2.5	2.5A	0.060	0.19	0.21	0.019	0.52
CIQ 3	3.A	0.045	0.18	0.29	0.032	0.61

Consult manufacture for other ratings

Physical Specification

Materials

Ceramic Substrate / Tin Plated Termination

Marking

On fuse:

none

Label on Reel:

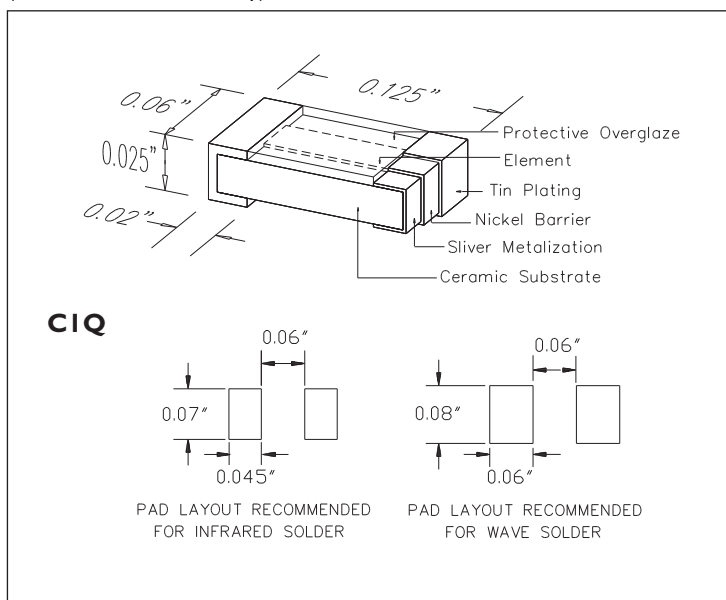
“bel” “CIQ” “Current Rating” “125V”, Interrupting Rating and “UL SP CE”

Packaging

3,000 fuses in 7 inches dia. Reel, 8mm wide tape, per EIA - 481
(equivalent IEC-286 part 3)

Mechanical Dimensions

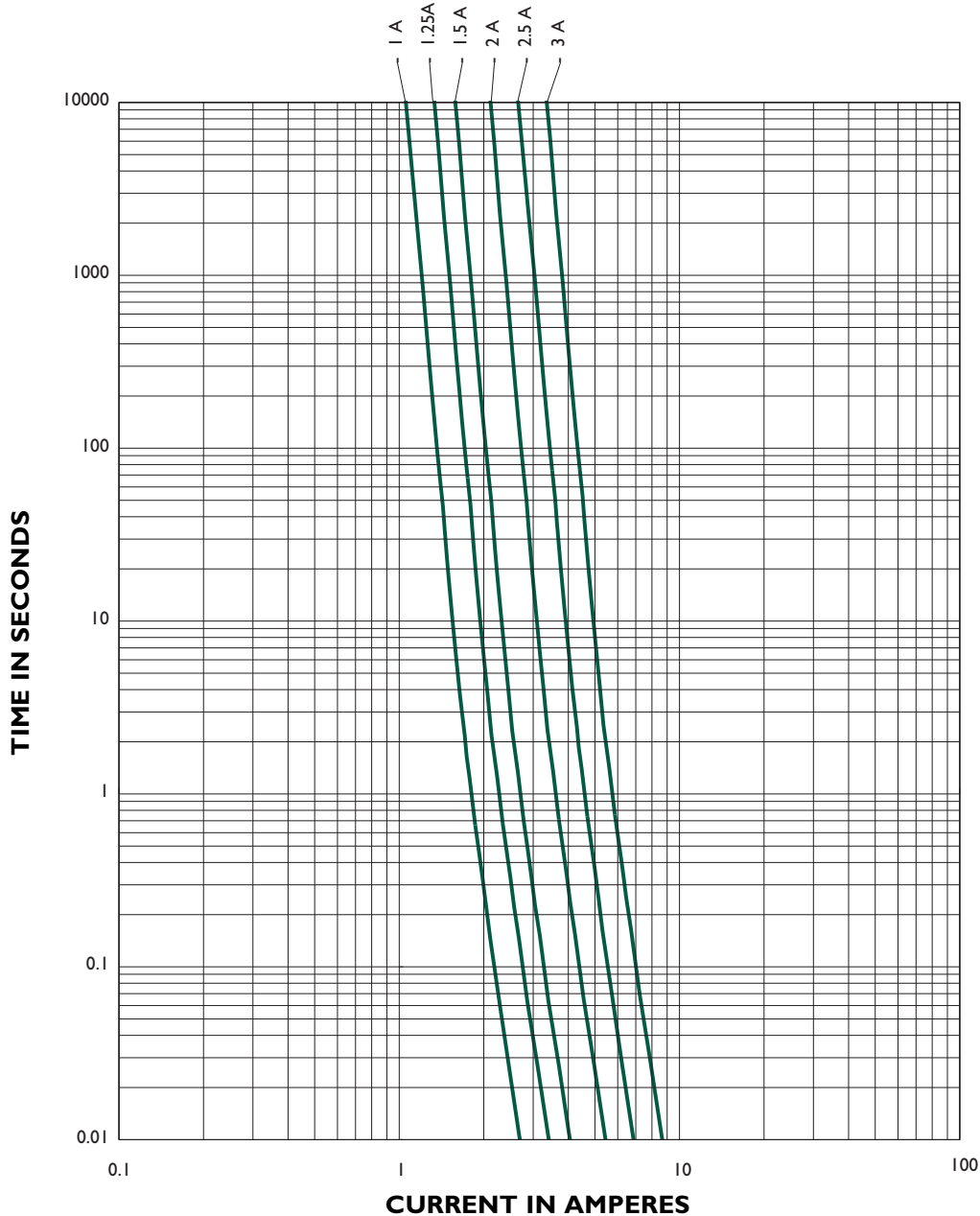
(all in inch for reference only)



Specifications subject to change without notice

Type CIQ
Surface Mount Fast-Acting Chip Fuse

CIQ - TIME CURRENT CHARACTERISTIC CURVE



Specifications subject to change without notice

Corporate Office

Bel Fuse Inc.
198 Van Vorst Street, Jersey City, NJ 07302
Tel: 201-432-0463
Fax: 201-432-9542
E-Mail: BelFuse@compuserve.com
Internet: <http://www.belfuse.com>

Far East Office

Bel Fuse Ltd.
8F/8 Luk Hop Street
San Po Kong
Kowloon, Hong Kong
Tel: 852-2328-5515
Fax: 852-2352-3706

European Office

Bel Fuse Europe Ltd.
Preston Technology Management Centre
Marsh Lane, Preston PR1 8UD
Lancashire, U.K.
Tel: 44-1772-556601
Fax: 44-1772-888366