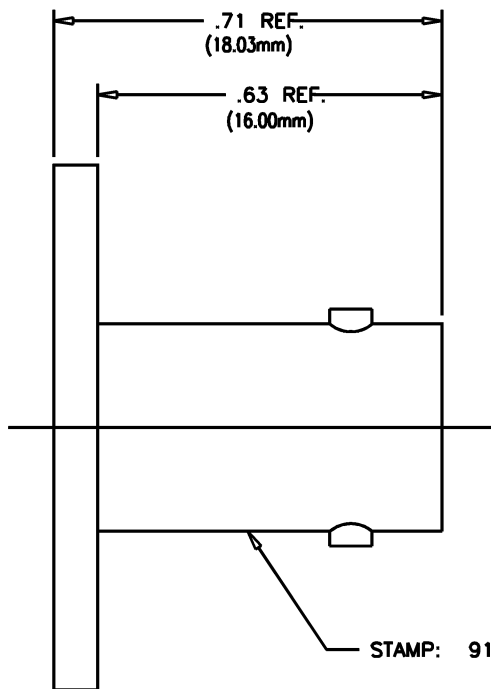
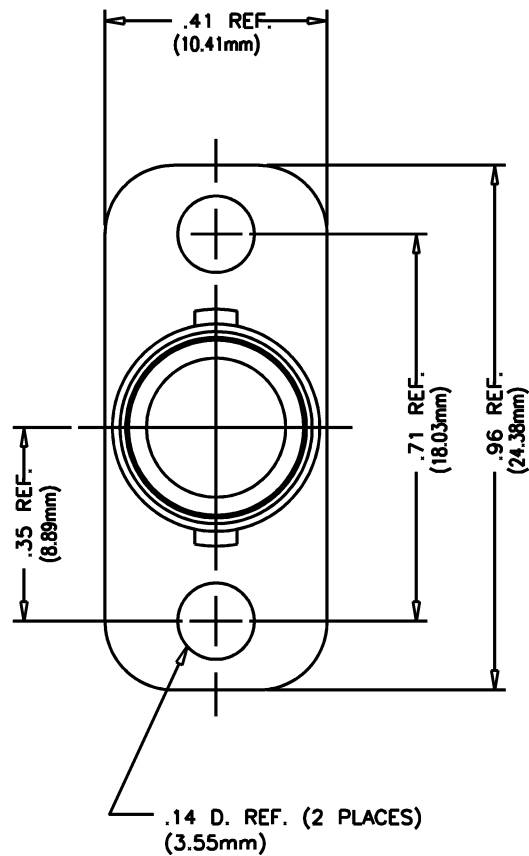


DASH NO.	M CODE	MADE FROM
----------	--------	-----------



STAMP: 91836 KC-89-235 MC7
YRWK (DATE CODE)



NOTES:

- MATERIAL:
BRASS, Q0-B-626
- FINISHES:
SILVER PLATE, .0001 MIN. PER Q0-S-365.
- MARK PACKAGE: ST5M1626-00001
91836 KC-89-235 MC7
YRWK (DATE CODE)

UNLESS OTHERWISE SPECIFIED

- ALL DIMENSIONS IN INCHES (MILLIMETERS).
- TOLERANCES:

.XXX ±.004	.XX ±.010
[.XXX ±.10]	[.XX ±.25]

FRACTIONS: X/Y ±.010 [.25] ANGLES: ± 1°

SDKC-89-235 MC7

ISSUE	
0	ER 22330 JEP 11/03/81
1	CN 38645 E REDRAWN TML 10/24/02
2	CN 39615 E HVN 09/07/06
0	ER 6049 DRK 01/10/08

CUSTOMER
SALES DRAW

SCALE 4:1

APPROX SURFACE AREA

REF:

DUMMY BNC PANEL JACK

DRAWN	M.D.	DATE	09/11/81
DESIGN		DATE	
APPR.	MJB	DATE	09/11/81

SDKC-89-235 MC7