

TPRH 2D11 TYPE

●FEATURE

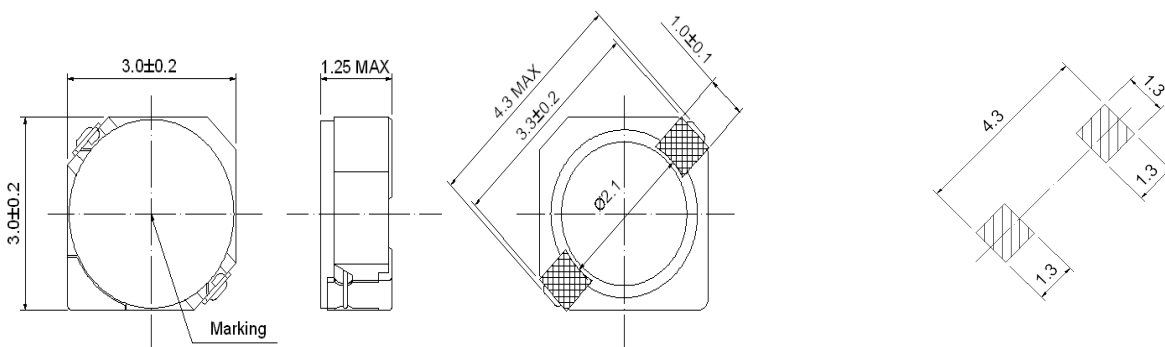
1. Low profile and small size (Height: 1.25mm Max)
2. Low DC resistance
3. Magnetic Shielding type

●Applications

1. LCD panels, Digital camera
2. PDA and others portable

●Shape and Dimension

●Schematics and Land Patterns(mm)



●Specification

Part Number	L(uH)	DCR(ΩMax)	IDC(A)(Max)
TPRH2D11-2R2N	2.2±30%	0.094	0.78
TPRH2D11-3R3N	3.3±30%	0.120	0.60
TPRH2D11-4R7N	4.7±30%	0.162	0.50
TPRH2D11-6R8N	6.8±30%	0.319	0.44
TPRH2D11-100N	10±30%	0.377	0.35
TPRH2D11-220N	22±30%	0.800	0.25
TPRH2D11-470N	47±30%	1.950	0.16

Note1. Measurement frequency of Inductance value : at 100KHz, 1V

Note2. Measurement ambient temperature of L, DCR and IDC : at 25°C

Note3. The rated current indicates the current when the inductance decreases to 65% over of it's nominal value or D.C. current when the temperature rising $\Delta t=30^{\circ}\text{C}$ lower, whichever is lower

Note4. Inductance tolerance: N: ±30%