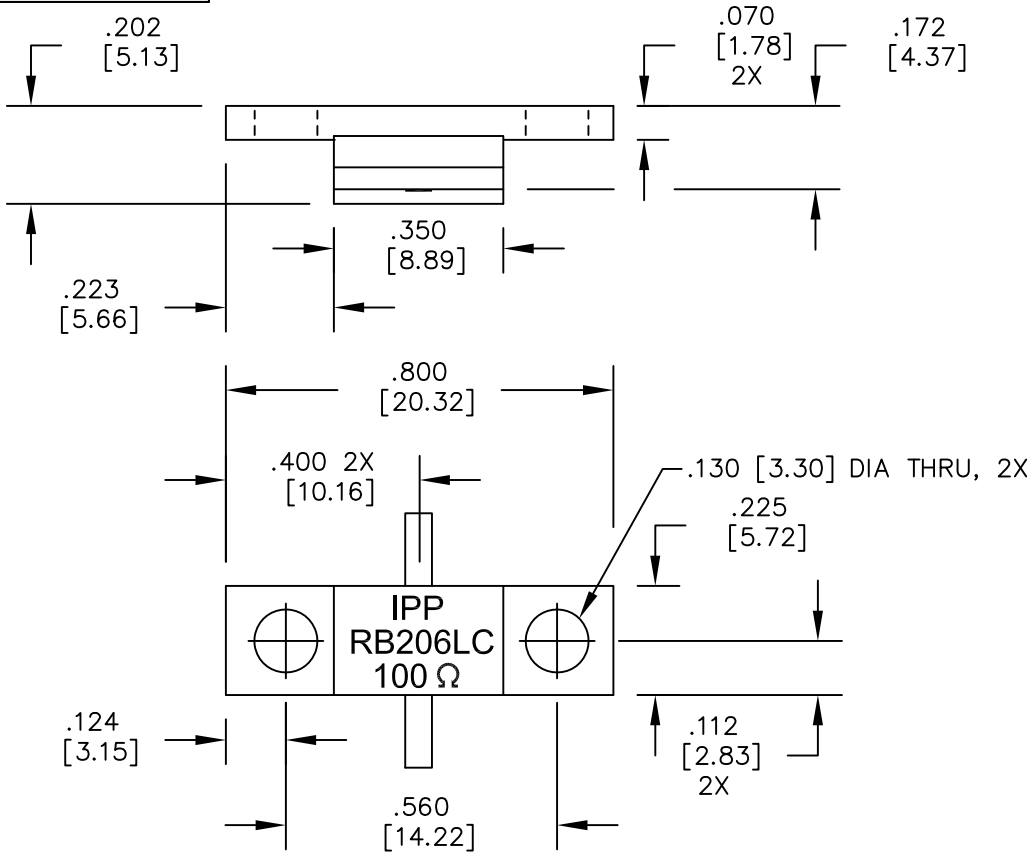


UNAUTHORIZED USE OF THIS
DRAWING IS STRICTLY PROHIBITED



(REF: 100 OHM VALUE SHOWN)

DAR	REV	DESCRIPTION	APPVD	DATE
1484	A	INITIAL RELEASE	DG	9-08
1562	B	CHANGE DIMS TO MULT PLACES	DG	9-08
3756	C	SEE DAR	DG	7-12
5101	D	SEE DAR	DG	8-14

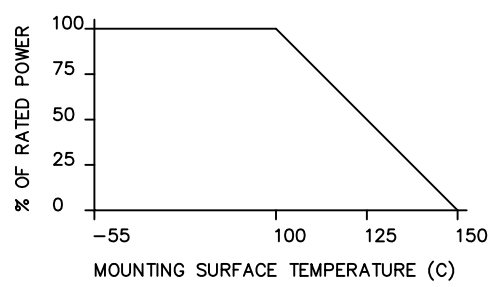
NOTES

- LEAD MATERIAL:
99.99% PURE SILVER,
.050 WIDE x .005 THICK
- LEAD LENGTH: .150 MIN.
- SUBSTRATE MATERIAL: BeO
COVER MATERIAL: Al₂O₃
- FLANGE MATERIAL: COPPER
PLATING: NICKEL
- DIMENSIONS: INCHES, [mm]
- RoHS COMPLIANT.

ELECTRICAL SPECIFICATIONS

INPUT POWER: 125 WATT
FREQUENCY: DC - 3.0 GHz.
CAPACITANCE: 1.1 pF

POWER DERATING CURVE



PART NO.	VALUE	TOLERANCE
IPP-RB206LC-50	50 OHMS	+/- 5%
IPP-RB206LC-100	100 OHMS	+/- 5%

MATERIAL [3] [4]	DWN S.Cornel	DATE 7-17-08	
	ENG TJD	DATE 9-18-08	
FINISH [4]	MANUF RR	DATE 9-18-08	TITLE RESISTOR, LOW C, 125 WATT, FLANGE
	CAGE CODE: 437R2		P/N IPP-RB206LC-XXX
TOLERANCE IN [MM]	.XX ±.02 [.50] .XXX ±.010 [.254]	SHEET OF 1 1	
			REV. D