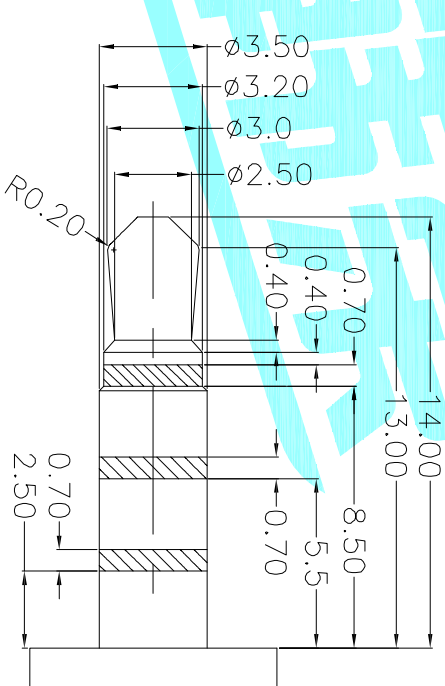
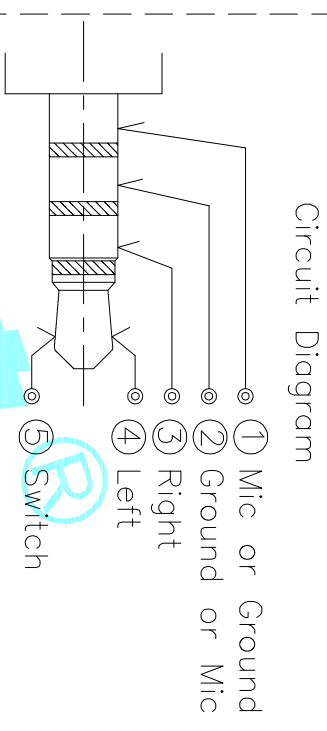


Rating: 1A 12V DC
 Contact Resistance: 100 mΩ Max.
 Operating temperature: -25°C~85°C
 Operating force: 30N Min
 Operating Life: 5,000cycles



ITEM	PART NAME	TER.NO.	QTY.	MATERIAL	FINISHING	REMARK
⑧	Cover	—	1	Thermoplastics	White	
⑦	Housing	—	1	Thermoplastics	White	
⑥	Sleeve	—	1	Copper Alloy	Ni Plating	
⑤	Switch Contact	—	1	Copper Alloy	Ni Plating	
④	Left Contact	—	1	Copper Alloy	Ni Plating	
③	Right Contact	—	1	Copper Alloy	Ni Plating	
②	Mic Contact	—	1	Copper Alloy	Ni Plating	
①	Ground Contact	—	1	Copper Alloy	Ni Plating	

ECN NO.	REV.	DATE.	DESCRIPTION.	CHANGE.	CHECK.	APPRO.
	A		NEW			

APPROVALS	DATE	TITLE:	PART NO.	SCALE:	PROJ:
DRAWN J.X.Zhong	2019/8/8	PHONE JACKES	PJ-617	1:1	
CHECKED					
APPROVALS					

TOLERANCES ARE	ANGLE	UNIT:	DRAWING NO.	SHEET
30~80° ±0.30	±2°	mm		1 of 1
10~30° ±0.20				
5~10° ±0.15				
~5 ±0.10				