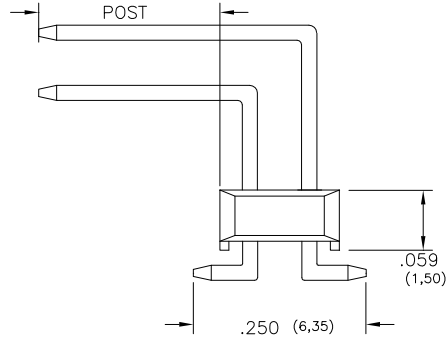
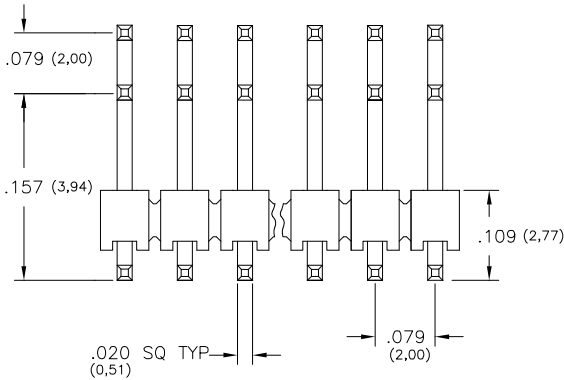
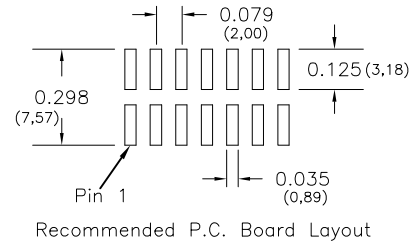
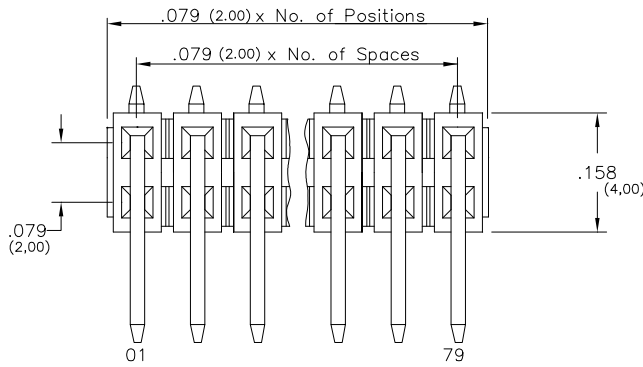


Major League Electronics .079 cl Terminal Strip Headers - Right Angle - Custom - Surface Mount



Tails may be clipped to achieve desired pin length

Ordering Information

TSHCRSM-2 [] - D - [] - [] - [] - [] - [] - [] - LF

Pins Per Row

01 - 40

Row Specification

D = Dual Row

Desired Post Height

Please specify
e.g. .100 (2.54) = 100

Select nearest Max. Post
Height greater than your
Desired Post Height

Pin Options		
	Post Length	
	.154	3.91mm 02
	.174	4.42mm 04
	.213	5.41mm 05
	.312	7.92mm 06
	.332	8.43mm 08
	.351	8.92mm 10

Lead Free

Packing Information

TR-P = Tape and Reel with Plastic Pick and Place pad

TB-P = Tube with Plastic Pick and Place pad

TB-0 = Tube without Pick and Place Pad

If left blank, packaging at MLE's discretion

Pad may be metal, mylar or plastic

Polarized Position

Leave blank if not needed

If required, specify empty pin position, e.g. 012 for Pin 12

Plating Options

H	30µ Gold on Contact Area / Matte Tin on Tail
T	Matte Tin All Over
GT	10µ Gold on Contact Area / Matte Tin on Tail
G	10µ Gold on Contact Area / Flash on Tail
F	Gold Flash over Entire Pin

Specifications

Current Rating: 3.0 Ampere

Insulation Resistance: 1000MΩ Min.

Dielectric Withstanding: 500V AC

Contact Resistance: 20 mΩ Max.

Operating Temperature: -40°C to + 105°C

Max. Process Temperature:

Peak: 260°C up to 10 secs.

Process: 230°C up to 60 secs.

Wave: 260°C up to 6 secs.

Reflow: 260°C up to 10 secs.

Manual Solder: 350°C up to 5 secs.

Materials

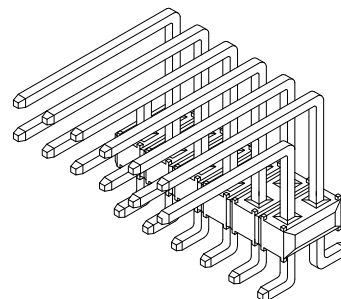
Contact Material: Phosphor Bronze

Insulator Material: Nylon 6T

Plating: Au or Sn over 50µ" (1,27) Ni

Mates with:

BCSS,
BSSH,
BSSHC,
BSSQ,
BSSQC,
BSSQM,
LSMBC,
LSSHSM,
SMBC,
SSHQ,
SSHQR,
SSHR,
SSHS,
SSHSM,
ULSMBC



Products cut to specific sizes are uncancellable/nonreturnable

Parts are subject to change without notice

TSHCRSM-2-DV SERIES

.079 cl Dual Row - Surface Mount
Terminal Strip Headers - Right Angle - Custom

13 FEB 07

Scale
NTS

UNLESS OTHERWISE SPECIFIED
DIMENSIONS IN INCHES (MM)
TOLERANCES ARE:

ONE PLACE DECIMALS ±.100
TWO PLACE DECIMALS ±.010
THREE PLACE DECIMALS ±.005
FOUR PLACE DECIMALS ±.0020
ANGLES
±5°



4235 Earnings Way, New Albany, Indiana, 47150, USA
1-800-782-3486 (USA/Canada/Mexico)

Tel: 812-944-7244

Fax: 812-944-7268

E-mail: mle@mlelectronics.com

Web: www.mlelectronics.com

Edition
1

Sheet
1/1