

KR Electronics, Inc.

General Description

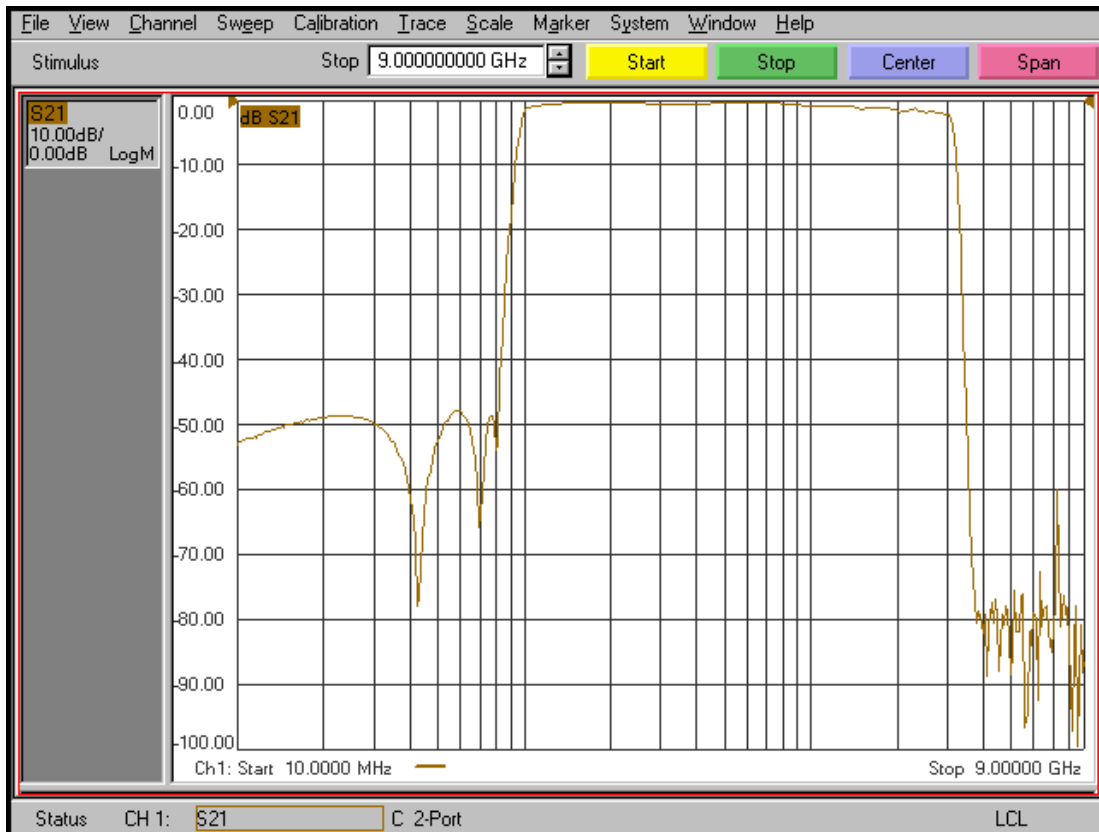
KR Electronics part number 3192-2 is a 100 MHz to 3000 MHz bandpass filter. The filter attains 45 dB rejection at 80 MHz and 3600 MHz. Other center frequencies and are bandwidths available. Please consult the factory.

Features

- 100 MHz to 3000 MHz Bandpass
- Wideband Bandpass
- Sharp Transition to the Stopband
- 50 Ω Source and Load
- SMA Connectors

Typical Performance

Overall Response
(10 dB/div)

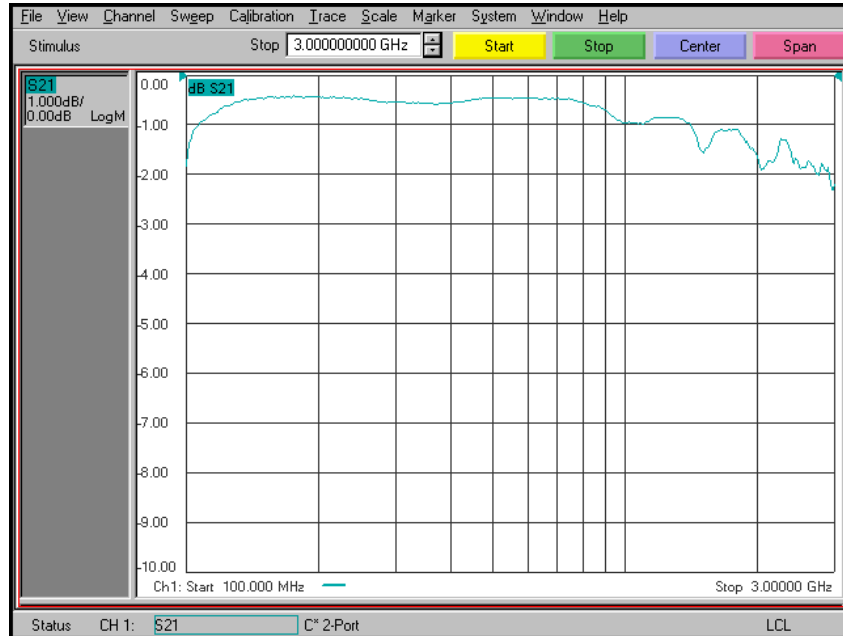


KR Electronics, Inc.
91 Avenel Street
Avenel, NJ 07001

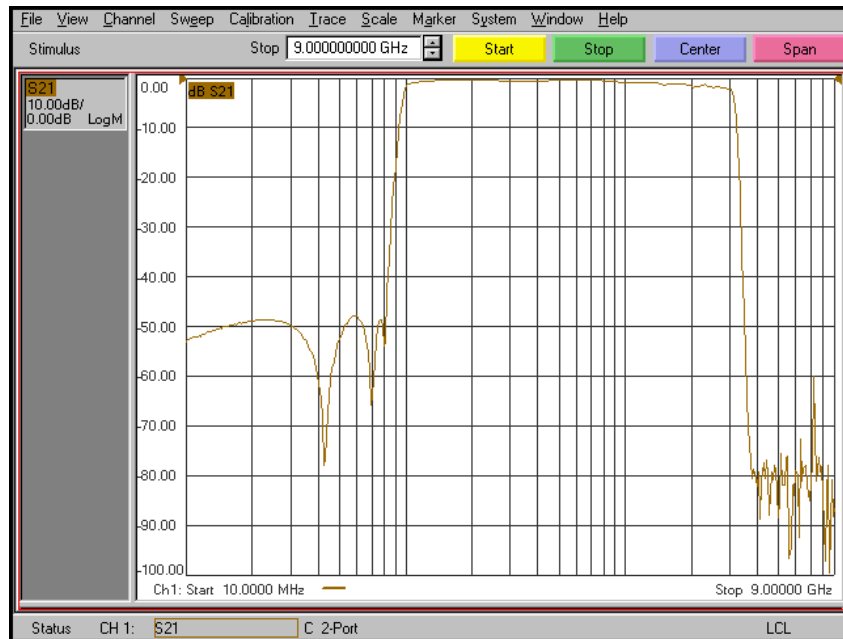
Web www.krfilters.com
Email sales@krfilters.com
Phone (732) 636-2500
Fax (732) 636-2582

Typical Performance

Passband Amplitude
(1 dB/div)



Overall Response
(10 dB/div)



KR Electronics, Inc.
91 Avenel Street
Avenel, NJ 07001

Web www.krfilters.com
Email sales@krfilters.com
Phone (732) 636-2500
Fax (732) 636-2582

KR Electronics 3192-2

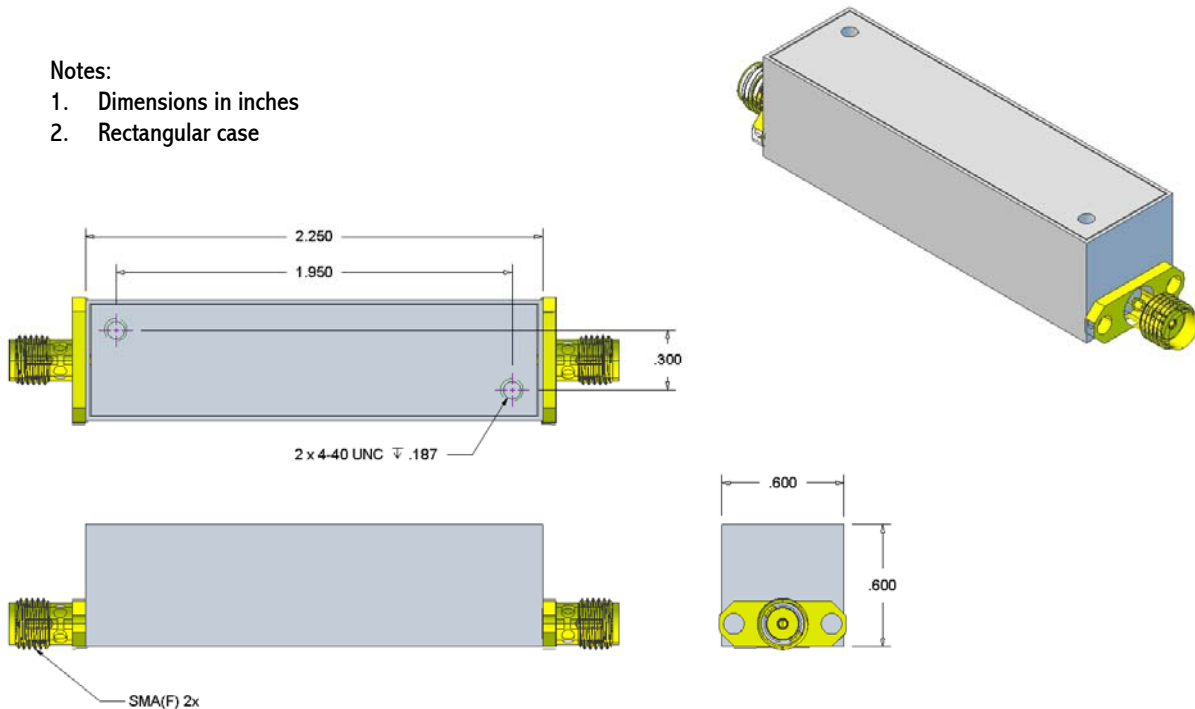
Specifications

| Parameter | Specification |
|-------------------------------|---------------------|
| Filter type | Bandpass |
| Insertion Loss at 500 MHz | 1 dBa max |
| Passband (3 dBc max) | 100 MHz to 3000 MHz |
| Passband Ripple | ±1 dB max |
| Rejection at 80 MHz | 45 dBc min |
| Rejection at 3600 to 9000 MHz | 45 dBc min |
| Source and Load | 50 Ω |
| | |
| | |

Physical Dimensions

Notes:

1. Dimensions in inches
2. Rectangular case



KR Electronics, Inc.
91 Avenel Street
Avenel, NJ 07001

Web www.krfilters.com
Email sales@krfilters.com
Phone (732) 636-2500
Fax (732) 636-2582