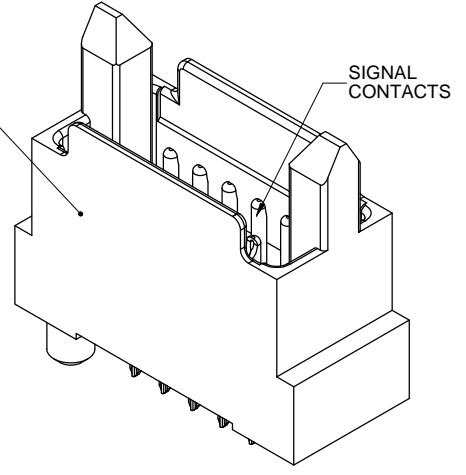
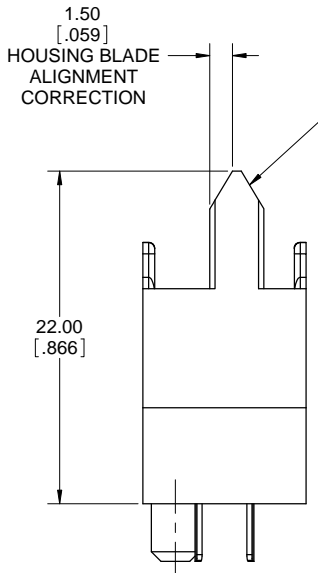
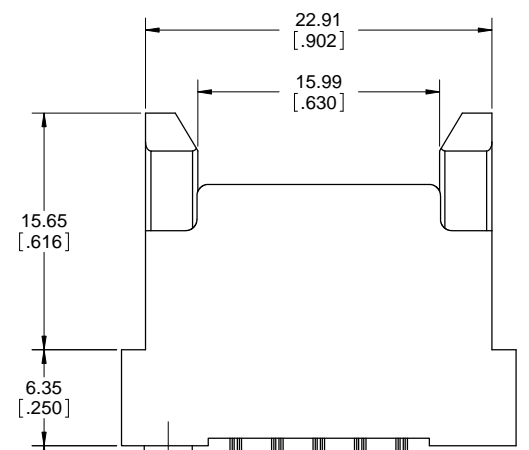
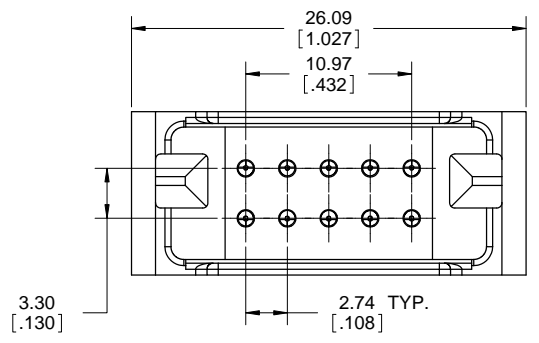


| REVISIONS |                              |          |       |
|-----------|------------------------------|----------|-------|
| REV       | DESCRIPTION, ECN, EAR NO.    | DATE     | APP'D |
| A         | NEW PROPOSAL DWG (EAR 13783) | OCT25/10 | K.L.  |

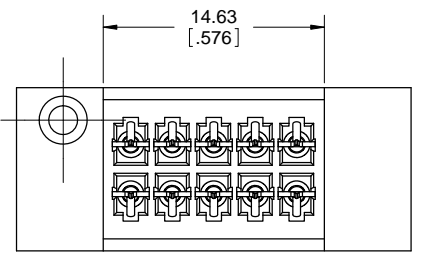


P/N DWR-T010P-V233-01



0.46 [.018] x 0.76 [.030]  
SIGNAL CONTACT  
TAILS (10 PLACES)

ORIENTATION PEG  
PREVENTS ASSEMBLY  
ERRORS



NOTES:

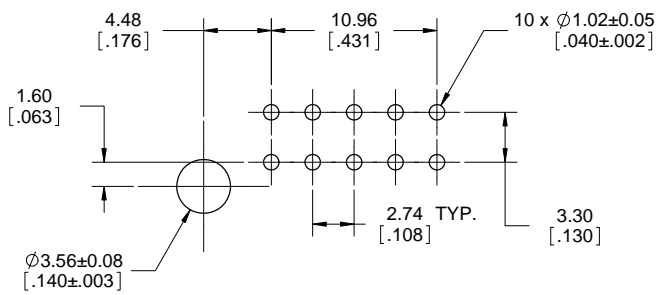
- MATERIALS: ALL MATERIALS ARE RoHS COMPLIANT PER EU DIRECTIVE 2002/95/EC AND AMENDMENTS.
  - HOUSING: HIGH TEMPERATURE RESISTANT NYLON, UL FLAMMABILITY RATING 94V-0, COLOUR BLACK
  - SIGNAL CONTACTS: PHOSPHOR BRONZE PLATED WITH 0.38µm (15µ") GOLD OVER 1.27µm (50µ") NICKEL ON THE MATING AREA AND 2.54µm (100µ") MATTE TIN OVER NICKEL ON THE TAILS.
- WHEN MATED WITH RECEPTACLE P/N DWR-T010S-V2X3-01, THE ORDER OF MECHANICAL AND ELECTRICAL ENGAGEMENT IS A) HOUSING BLADES, B) HOUSING SHROUD, C) SIGNAL CONTACTS.
- RATINGS SUBJECT TO DESIGN QUALIFICATION TESTING
  - CURRENT RATING: 5A SIGNAL
  - DIELECTRIC WITHSTANDING VOLTAGE: 1500VDC
  - INSULATION RESISTANCE: 5000 MEGAOHMS
  - OPERATING TEMPERATURE: -55C TO +105C

|                            |                        |                      |
|----------------------------|------------------------|----------------------|
| UNLESS SPECIFIED OTHERWISE | DRAWN S.CAELERS        | OCT25/10             |
| PRIMARY UNITS MILLIMETERS  | CHECKED K.LAMBIE       | OCT25/10             |
| SECONDARY INCHES           | M.E. APP'D             |                      |
| REFERENCE IN PARENTHESES   | Q.A. APP'D             |                      |
| GENERAL TOLERANCES         | DWG APPR.              |                      |
| 1 DECIMAL PLACE            | ENG. REL. NO.          | EAR 13783            |
| 2 DECIMAL PLACES           | REF.                   |                      |
| 3 DECIMAL PLACES           | THIRD ANGLE PROJECTION | DO NOT SCALE DRAWING |
| ANGULAR DEGREES            |                        |                      |

**Amphenol Canada Corp.**  
DWR SERIES SLIM DRAWER, 10 SIGNAL PIN CONNECTOR, RoHS COMPLIANT

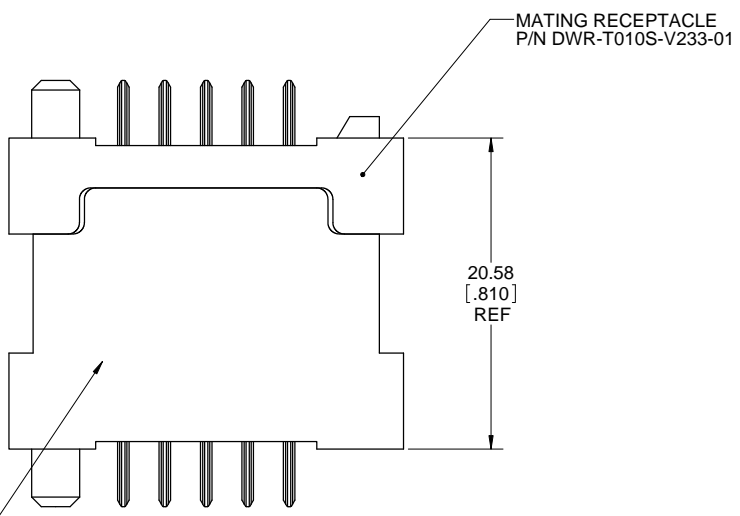
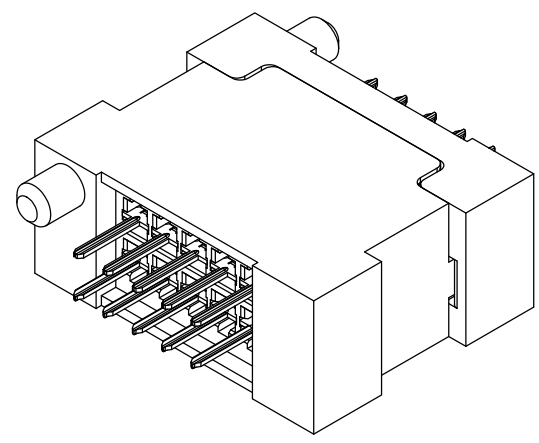
|                     |              |
|---------------------|--------------|
| DWG. NO.            | REV          |
| P-DWR-T010P-V233-01 | A            |
| CODE ID NO. 03554   | DWG SIZE: X  |
| SCALE: 2:1          | SHEET 1 OF 2 |

| REVISIONS |                              |          |       |
|-----------|------------------------------|----------|-------|
| REV       | DESCRIPTION, ECN, EAR NO.    | DATE     | APP'D |
| A         | NEW PROPOSAL DWG (EAR 13783) | OCT25/10 | K.L.  |



**RECOMMENDED PCB LAYOUT  
COMPONENT SIDE OF BOARD  
SCALE 4:1**

LOCATE HOLES  
 $\text{⊕} 0.13[.005]$  DIA  
 POSITION DIMENSIONS  
 ARE BASIC



**MATED ASSEMBLY  
SIDE VIEW  
SCALE 4:1**



|                            |                        |           |                      |
|----------------------------|------------------------|-----------|----------------------|
| UNLESS SPECIFIED OTHERWISE | DRAWN                  | S.CAELERS | OCT25/10             |
| PRIMARY UNITS MILLIMETERS  | CHECKED                | K.LAMBIE  | OCT25/10             |
| SECONDARY INCHES           | M.E. APP'D             |           |                      |
| REFERENCE IN PARENTHESES   | Q.A. APP'D             |           |                      |
| GENERAL TOLERANCES         | DWG APPR.              |           |                      |
| 1 DECIMAL PLACE            | ENG. REL. NO.          | EAR 13783 |                      |
| 2 DECIMAL PLACES           | REF.                   |           |                      |
| 3 DECIMAL PLACES           | THIRD ANGLE PROJECTION |           | DO NOT SCALE DRAWING |
| ANGULAR DEGREES            |                        |           |                      |

|   |                     |                         |
|---|---------------------|-------------------------|
| <b>Amphenol Canada Corp.</b>                                    |                     |                         |
| DWR SERIES SLIM DRAWER, 10 SIGNAL PIN CONNECTOR, RoHS COMPLIANT |                     |                         |
| DWG. NO.  | P-DWR-T010P-V233-01 | REV A                   |
| CODE ID NO. 03554   | DWG SIZE: X         | SCALE: 2:1 SHEET 2 OF 2 |

THIS DOCUMENT CONTAINS PROPRIETARY INFORMATION AND SUCH INFORMATION MAY NOT BE DISCLOSED TO OTHERS FOR ANY PURPOSE OR USED FOR MANUFACTURING PURPOSES WITHOUT WRITTEN PERMISSION FROM AMPHENOL CANADA CORP.