

**PLEASE CHECK WWW.MOLEX.COM FOR LATEST PART INFORMATION**

**Part Number:** **0532531180**  
**Status:** **Active**  
**Overview:** microlatch  
**Description:** 2.00mm (.079") Pitch Micro-Latch™ Wire-to-Board Header, Vertical, Square Pin, Three-sided Shroud, Lead-free, 11 Circuits, PC Tail Length 2.30mm (.091")

**Documents:**

[3D Model](#) [Product Specification PS-51065-016 \(PDF\)](#)  
[Drawing \(PDF\)](#) [RoHS Certificate of Compliance \(PDF\)](#)

**Agency Certification**

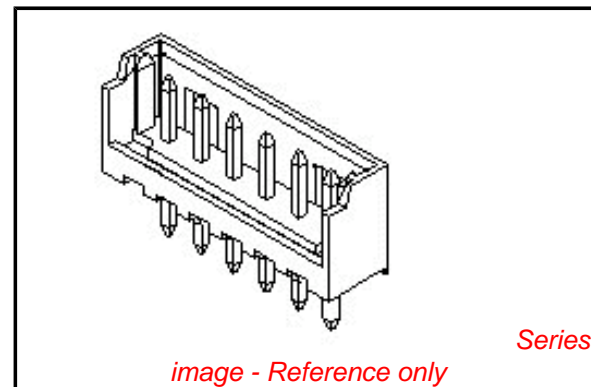
CSA LR19980  
 UL E29179

**General**

Product Family PCB Headers  
 Series [53253](#)  
 Application Wire-to-Board  
 Overview microlatch  
 Product Name Micro-Latch™

**Physical**

Breakaway No  
 Circuits (Loaded) 11  
 Durability (mating cycles max) 30  
 First Mate / Last Break No  
 Flammability 94V-0  
 Glow-Wire Compliant No  
 Lock to Mating Part Yes  
 Mated Height (in) 0.287 In  
 Mated Height (mm) 7.30 mm  
 Material - Metal Brass  
 Material - Plating Mating Tin  
 Material - Plating Termination Tin  
 Material - Resin Nylon  
 Number of Rows 1  
 Orientation Vertical  
 PC Tail Length (in) 0.091 In  
 PC Tail Length (mm) 2.30 mm  
 PCB Locator No  
 PCB Retention Yes  
 PCB Thickness Recommended (in) 0.040 In  
 PCB Thickness Recommended (mm) 1.00 mm  
 Packaging Type Tray  
 Pitch - Mating Interface (in) 0.079 In  
 Pitch - Mating Interface (mm) 2.00 mm  
 Plating min: Mating (µin) 40  
 Plating min: Mating (µm) 1.00  
 Plating min: Termination (µin) 40  
 Plating min: Termination (µm) 1.00  
 Polarized to Mating Part Yes  
 Polarized to PCB No  
 Shrouded Partial  
 Stackable No  
 Surface Mount Compatible (SMC) No  
 Temperature Range - Operating -40°C to +105°C



**EU RoHS**

**ELV and RoHS Compliant**  
**REACH SVHC Contains SVHC: No**  
**Halogen-Free Status**  
**Not Reviewed**

**China RoHS**



**Need more information on product environmental compliance?**

Email [productcompliance@molex.com](mailto:productcompliance@molex.com)  
 For a multiple part number RoHS Certificate of Compliance, [click here](#)

Please visit the [Contact Us](#) section for any non-product compliance questions.

**Search Parts in this Series**

[53253Series](#)

**Mates With**

[51065 Crimp Housing](#). [50212 Crimp Terminal](#)

Termination Interface: Style

Through Hole

**Electrical**

Current - Maximum per Contact

2A

Voltage - Maximum

125V

**Material Info**

**Reference - Drawing Numbers**

Product Specification

PS-51065-016, RPS-51065-026, RPS-51065-030

Sales Drawing

SD-51065-006, SD-53253-003

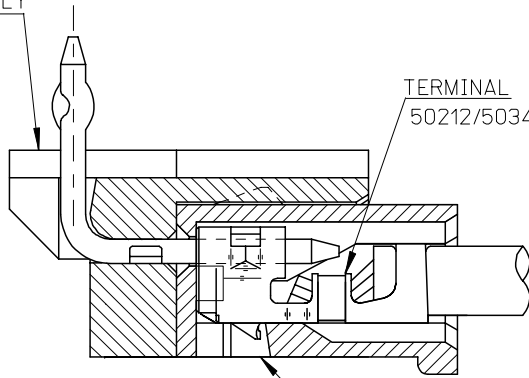
This document was generated on 05/25/2010

**PLEASE CHECK [WWW.MOLEX.COM](http://WWW.MOLEX.COM) FOR LATEST PART INFORMATION**

10 9 8 7 6 5 4 3 2 1

F

HEADER HOUSING ASSEMBLY  
53254SERIES



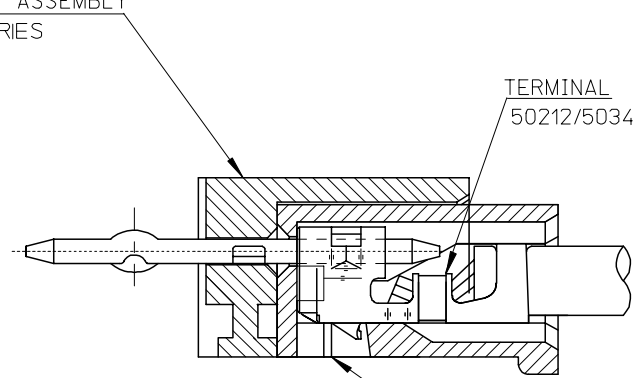
TERMINAL  
50212/50346 SERIES

RECEPTACLE HOUSING  
51065 SERIES

51065シリーズ/53254シリーズ 嵌合状態図 参考  
51065 SERIES/53254 SERIES MATED DRAWING (REF.)

F

HEADER HOUSING ASSEMBLY  
53253SERIES



TERMINAL  
50212/50346 SERIES

RECEPTACLE HOUSING  
51065 SERIES

51065シリーズ/53253シリーズ 嵌合状態図 参考  
51065 SERIES/53253 SERIES MATED DRAWING (REF.)

E

E

D

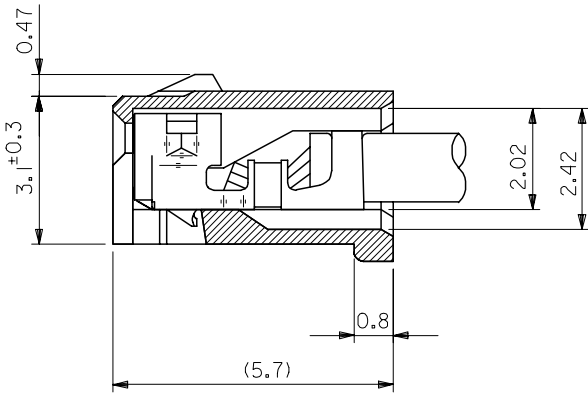
D

C

C

B

B

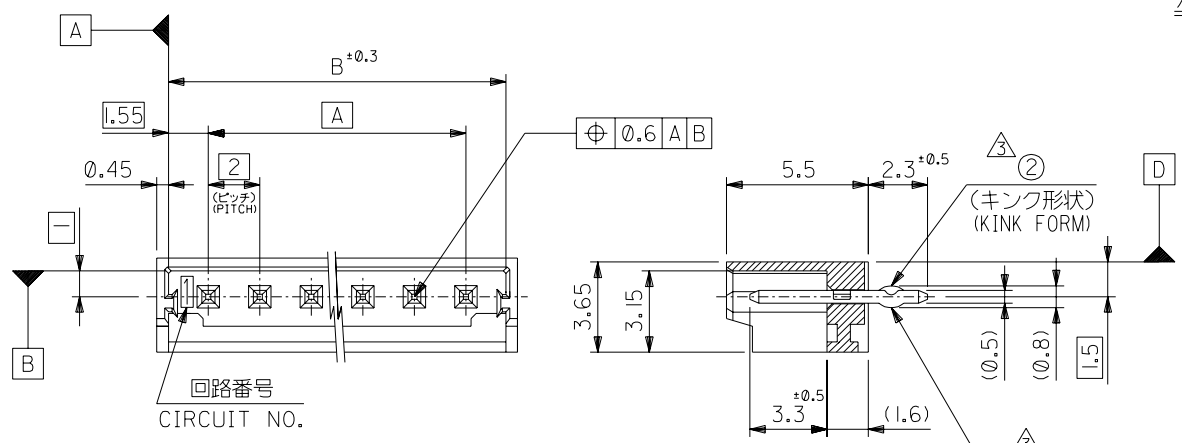


ターミナル装着状態図  
TERMINAL ASS'Y DWG.

RELEASED EC NO: J2008-2041 DRWN: AOYAGI 2007/11/21 CHKD: THARUYAMA 2007/11/22 APPR: NUKITA 2007/11/22	GENERAL TOLERANCES (UNLESS SPECIFIED)		DIMENSION STYLE MM ONLY	SCALE 10:1	DESIGN UNITS METRIC	THIRD ANGLE PROJECTION
	10 UNDER	±0.2	DRAWN BY Y. AOYAGI	DATE 2007/11/13	TITLE NEW 2.0 W/B CONN. 51065/53253OR51065/53254	
	10 OVER 30 UNDER	±0.25	CHECKED BY N. UKITA	DATE 2007/11/13	MOLEX INCORPORATED	
	30 OVER	±0.3	APPROVED BY N. UKITA	DATE 2007/11/13		
	ANGULAR	±1 °	MATERIAL NO.	SEE TABLE	DOCUMENT NO. SD-51065-006	SHEET NO. 1 OF 1
0	DRAFT WHERE APPLICABLE MUST REMAIN WITHIN DIMENSIONS		SIZE A3	THIS DRAWING CONTAINS INFORMATION THAT IS PROPRIETARY TO MOLEX INCORPORATED AND SHOULD NOT BE USED WITHOUT WRITTEN PERMISSION		

A

DWG. NO.  
SD-53253-003

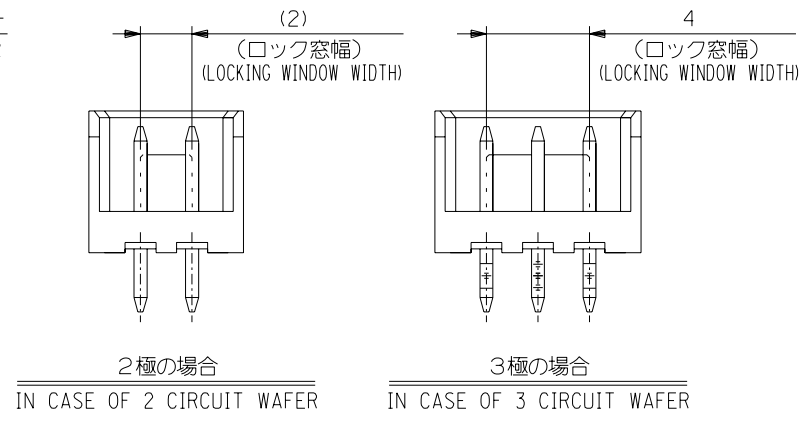
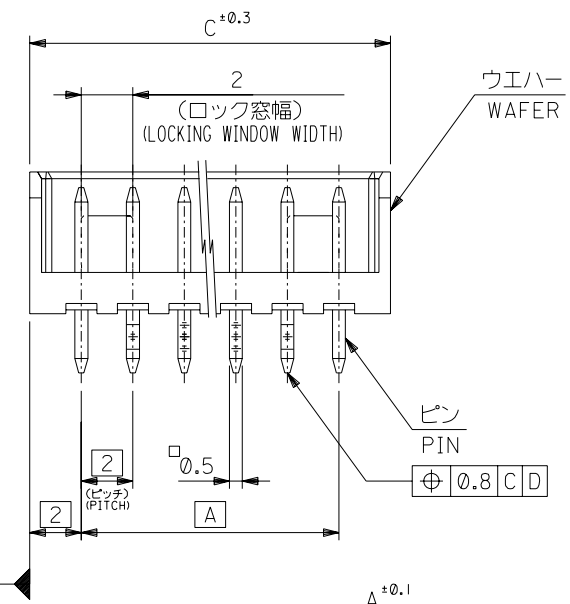


注記 NOTES

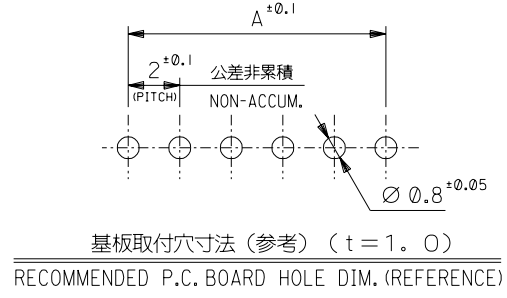
1. 嵌合相手：51065 シリーズ  
MATE WITH : 51065 SERIES
2. 材質  
MATERIAL  
ウエハー：66ナイロン、UL94V-0  
WAFER：66NYLON、UL94V-0  
ピン：黄銅、スズメッキ  
PIN：BRASS, TIN
3. キングは下記表の位置及び形状に付加のこと。2極はキング無し。  
KINK TO BE APPLIED AS FOLLOWS, 2 CIRCUIT HAS NO KINK.

極数 CKT	回路番号 CKT NO.	回路番号							
		1	2	3	4	5	N-2	N-1	N
6 極以上	MORE THAN 6 CKT	—	①	②	—	—	②	①	—
5 極	5 CKT	①	②	—	②	①			
4 極	4 CKT	①	②	②	①				
3 極	3 CKT	①	②	①					

4. 本製品は 53253-\*\*\*20 の鉛フリー品である。  
THIS PRODUCT IS LEAD FREE OF 53253-\*\*\*20.



32	31.1	28	53253-1580	15
30	29.1	26	-1480	14
28	27.1	24	-1380	13
26	25.1	22	-1280	12
24	23.1	20	-1180	11
22	21.1	18	-1080	10
20	19.1	16	-0980	9
18	17.1	14	-0880	8
16	15.1	12	-0780	7
14	13.1	10	-0680	6
12	11.1	8	-0580	5
10	9.1	6	-0480	4
8	7.1	4	-0380	3
6	5.1	2	53253-0280	2



角度 ANGLE	±3°	材料 MATERIAL	注記参照 SEE NOTES	材料 MATERIAL	MOLEX-JAPAN CO.,LTD. 日本モレックス株式会社
30 以上 OVER	+0.3	仕上げ FINISH	—	REVISION	REVISE ONLY ON CAD SYSTEM
10 以上 OVER 30 未満 UNDER	+0.25	適用電線範囲 WIRE RANGE	—	TITLE 名称	NEW 2.0 WIRE TO BOARD CONN. WAFER ASS'Y (ST.)
未満 UNDER	+0.2	被覆外径 INS. RANGE	—	DRAWN BY '04/06/11	-LEAD FREE-
一般公差 GENERAL TOLERANCES	記号 LTR	変更内容 REVISION RECORD	DR. CHK.	DATE	DWG. NO.
	0	新規作成 (J2004-4687) RELEASED	M.S.	'04/06/11	SD-53253-003
				APP'D BY '04/06/11	REV
				M.NABEI	0
				M.SASAO	
				CHK'D BY '04/06/11	
				K.TOJO	
				尺度 SCALE 5 : 1	