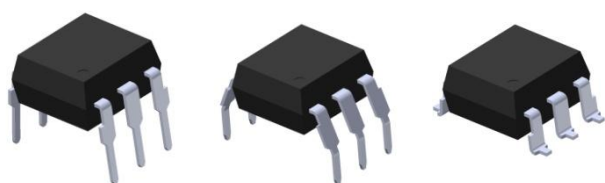


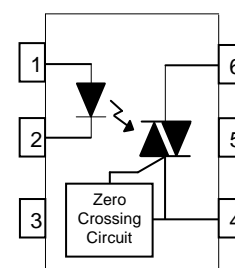
6 PIN DIP ZERO-CROSS TRIAC DRIVER PHOTOCOUPLER EL303X, EL304X, EL306X, EL308X Series



Features:

- Peak breakdown voltage
 - 250V: EL303X
 - 400V: EL304X
 - 600V: EL306X
 - 800V: EL308X
- High isolation voltage between input and output (Viso=5000 V rms)
- Zero voltage crossing
- Pb free and RoHS compliant.
- UL and cUL approved(No. E214129)
- VDE approved (No.132249)
- SEMKO approved
- NEMKO approved
- DEMKO approved
- FIMKO approved

Schematic



Pin Configuration

1. Anode
2. Cathode
3. No Connection
4. Terminal
5. Substrate
(do not connect)
6. Terminal

Description

The EL303X, EL304X, EL306X and EL308X series of devices each consist of a GaAs infrared emitting diode optically coupled to a monolithic silicon zero voltage crossing photo triac.

They are designed for use with a discrete power triac in the interface of logic systems to equipment powered from 110 to 380 VAC lines, such as solid-state relays, industrial controls, motors, solenoids and consumer appliances.

Applications

- Solenoid/valve controls
- Light controls
- Static power switch
- AC motor drivers
- E.M. contactors
- Temperature controls
- AC Motor starters

Absolute Maximum Ratings (Ta=25°C)

| Parameter | | Symbol | Rating | Unit | |
|-------------------------------------|--|--------------|---|---------------|---|
| Input | Forward current | I_F | 60 | mA | |
| | Reverse voltage | V_R | 6 | V | |
| | Power dissipation Derating factor (above $T_a = 85^\circ\text{C}$) | P_D | 100 3.8 | mW mW / °C | |
| Output | | | EL303X | 250 | |
| | Off-state Output Terminal Voltage | V_{DRM} | EL304X | 400 | V |
| | | | EL306X | 600 | |
| | | | EL308X | 800 | |
| | | | Peak Repetitive Surge Current (pw=1ms, 120pps) | I_{TSM} | |
| | On-State RMS Current | $I_{T(RMS)}$ | 100 | mA | |
| | Power dissipation Derating factor (above $T_a = 85^\circ\text{C}$) | P_C | 300 7.6 | mW mW/°C | |
| Total power dissipation | P_{TOT} | 330 | mW | | |
| Isolation voltage ^{*1} | V_{ISO} | 5000 | Vrms | | |
| Operating temperature | T_{OPR} | -55 to 100 | °C | | |
| Storage temperature | T_{STG} | -55 to 125 | °C | | |
| Soldering Temperature ^{*2} | T_{SOL} | 260 | °C | | |

Notes:
 *1 AC for 1 minute, R.H.= 40 ~ 60% R.H. In this test, pins 1, 2&3 are shorted together, and pins 4, 5 & 6 are shorted together.
 *2 For 10 seconds

Electro-Optical Characteristics (Ta=25°C unless specified otherwise)

Input

| Parameter | Symbol | Min. | Typ.* | Max. | Unit | Condition |
|-------------------------|--------|------|-------|------|---------------|---------------------|
| Forward Voltage | V_F | - | - | 1.5 | V | $I_F = 30\text{mA}$ |
| Reverse Leakage current | I_R | - | - | 10 | μA | $V_R = 6\text{V}$ |

Output

| Parameter | Symbol | Min. | Typ.* | Max. | Unit | Condition |
|---|-------------------|-------------|-------|------------|------------------|---|
| Peak Blocking Current | I_{DRM1} | - | - | 100 500 | nA | $V_{\text{DRM}} = \text{Rated } V_{\text{DRM}}$ $I_F = 0\text{mA}$ |
| Peak On-state Voltage | V_{TM} | - | - | 3 | V | $I_{\text{TM}} = 100\text{mA peak}$, $I_F = \text{Rated } I_{\text{FT}}$ |
| Critical Rate of Rise off-state Voltage | dv/dt | 1000 600 | - | - | V/ μs | $V_{\text{PEAK}} = \text{Rated } V_{\text{DRM}}$, $I_F = 0$ (Fig. 10) |
| Inhibit Voltage (MT1-MT2 voltage above which device will not trigger) | V_{INH} | - | - | 20 | V | $I_F = \text{Rated } I_{\text{FT}}$ |
| Leakage in Inhibited State | I_{DRM2} | - | - | 500 | μA | $I_F = \text{Rated } I_{\text{FT}}$, $V_{\text{DRM}} = \text{Rated } V_{\text{DRM}}$, off state |

Transfer Characteristics

| Parameter | Symbol | Min. | Typ.* | Max. | Unit | Condition |
|---------------------|-----------------|------|-------|---------------|---------------|--------------------------|
| LED Trigger Current | I_{FT} | - | - | 15 10 5 | mA | Main terminal Voltage=3V |
| Holding Current | I_H | - | 280 | - | μA | |

* Typical values at $T_a = 25^\circ\text{C}$

Typical Electro-Optical Characteristics Curves

Figure 1. Forward Current vs Forward Voltage

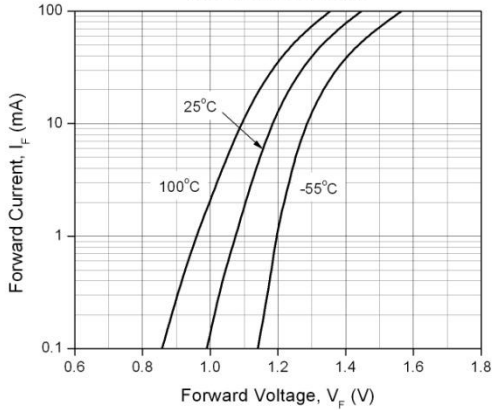


Figure 2. On-State Characteristics

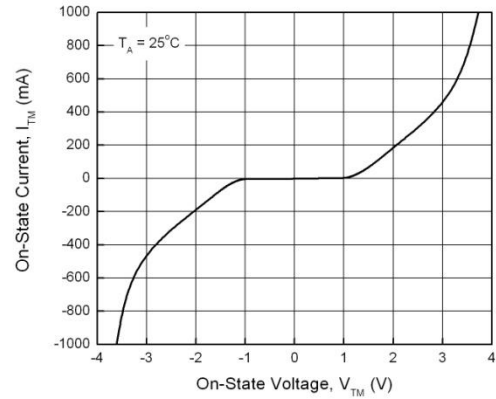


Figure 3. Holding Current vs. Ambient Temperature

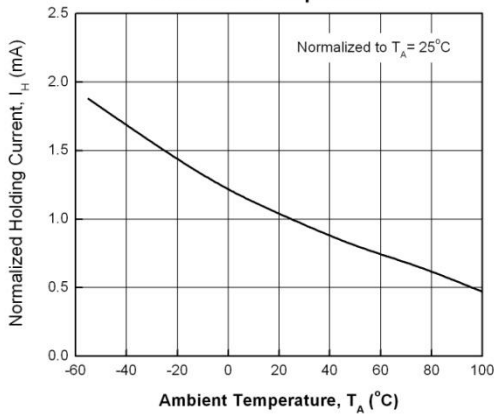


Figure 4. LED Current Required to Trigger vs. LED Pulse Width

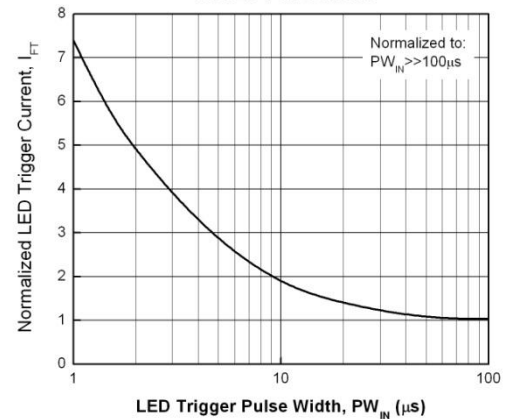


Figure 5. Leakage Current vs. Ambient Temperature

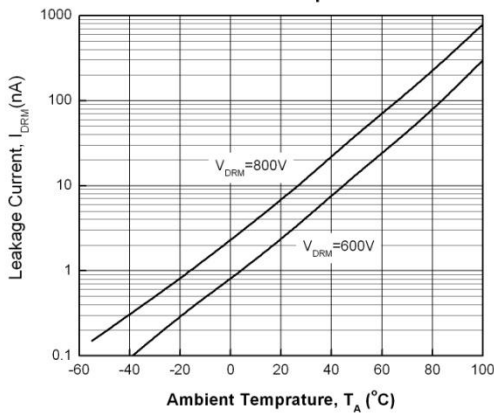


Figure 6. LED Trigger Current vs. Ambient Temperature

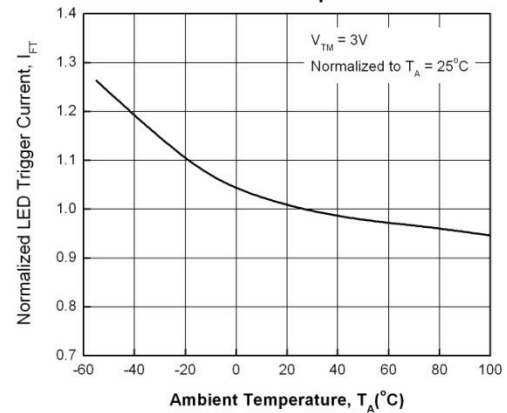


Figure 7. Off-State Output Terminal Voltage vs. Ambient Temperature

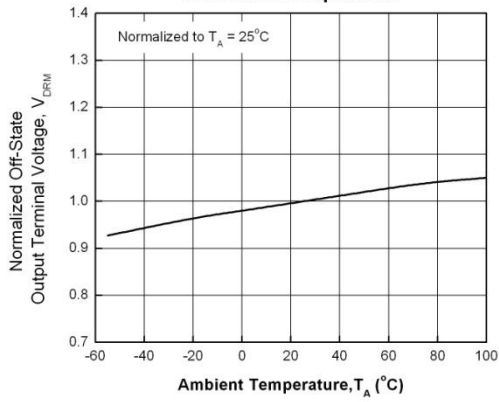


Figure 8. Leakage in Inhibit State vs. Ambient Temperature

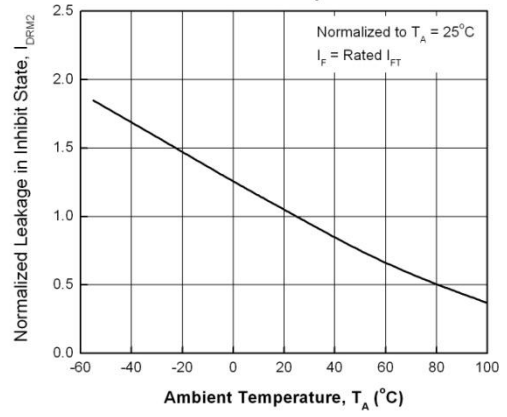


Figure 9. Inhibit Voltage vs. Ambient Temperature

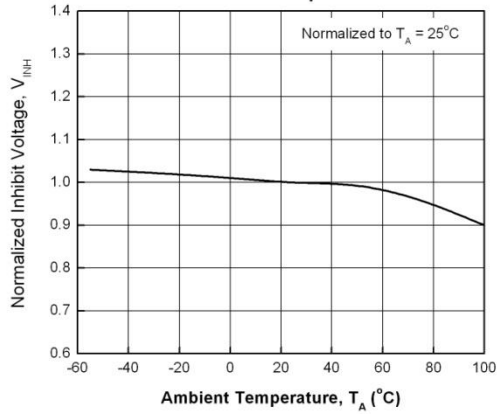
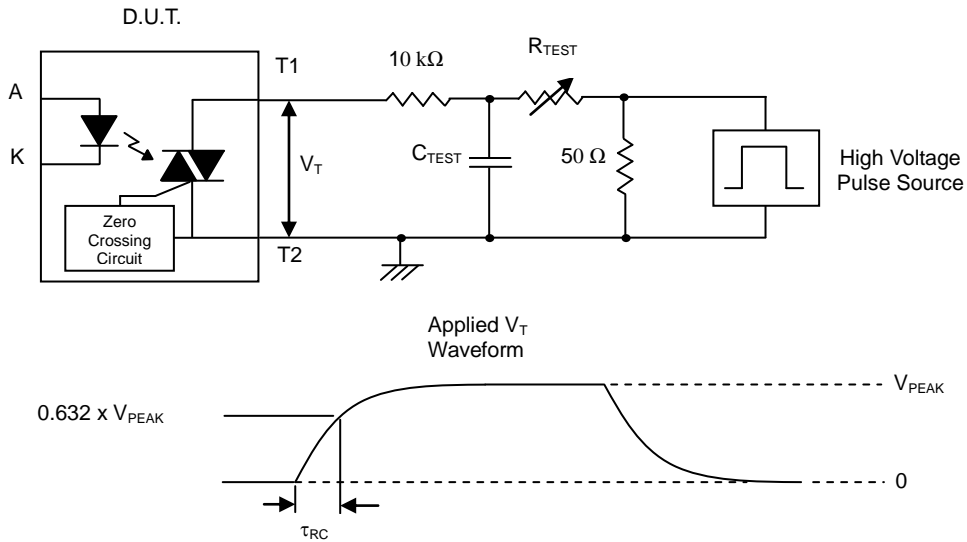


Figure 10. Static dv/dt Test Circuit & Waveform



Measurement Method

The high voltage pulse is set to the required V_{PEAK} value and applied to the D.U.T. output side through the RC circuit above. LED current is not applied. The waveform V_T is monitored using a x100 scope probe. By varying R_{TEST} , the dv/dt (slope) is increased, until the D.U.T. is observed to trigger (waveform collapses). The dv/dt is then decreased until the D.U.T. stops triggering. At this point, τ_{RC} is recorded and the dv/dt calculated.

$$dv/dt = \frac{0.632 \times V_{PEAK}}{\tau_{RC}}$$

For example, $V_{PEAK} = 600V$ for EL306X series. The dv/dt value is calculated as follows:

$$dv/dt = \frac{0.63 \times 600}{\tau_{RC}} = \frac{378}{\tau_{RC}}$$

Order Information

Part Number

EL303XY(Z)-V
or **EL304XY(Z)-V**
or **EL306XY(Z)-V**
or **EL308XY(Z)-V**

Note

X = Part No. (1, 2 or 3)

Y = Lead form option (S, S1, M or none)

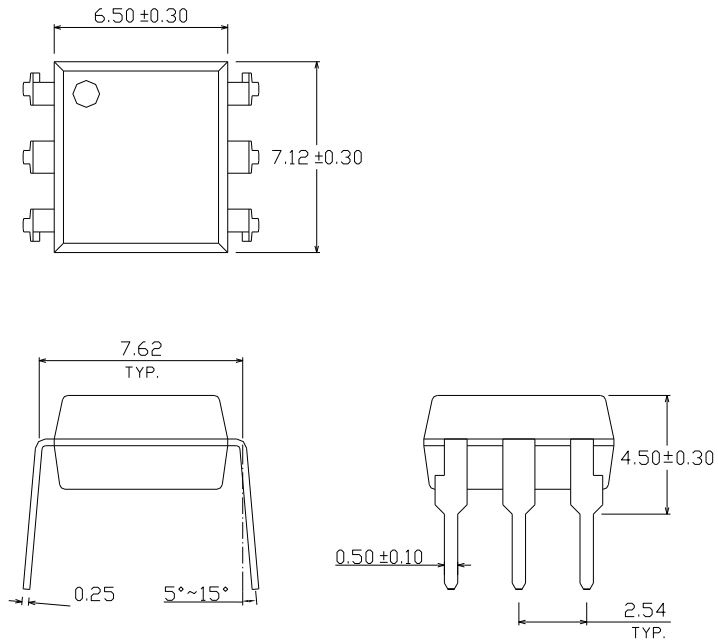
Z = Tape and reel option (TA, TB or none).

V = VDE safety approved option

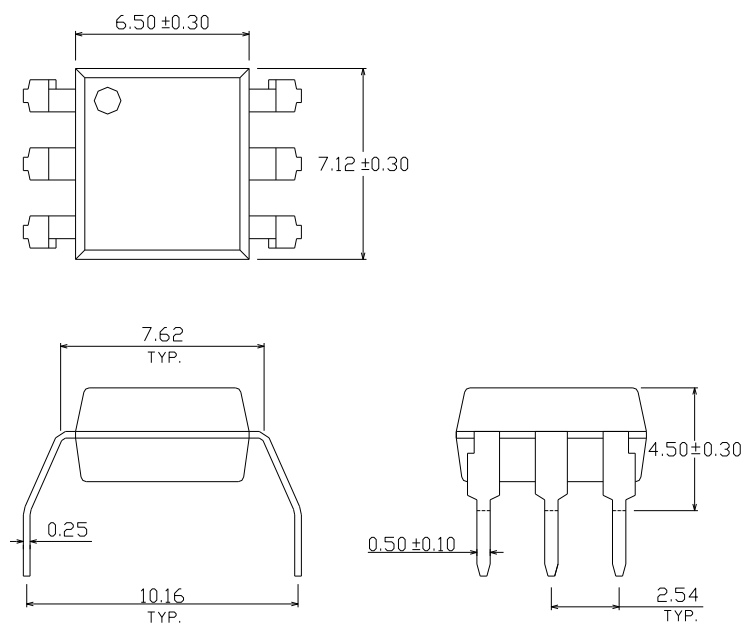
| Option | Description | Packing quantity |
|---------|---|---------------------|
| None | Standard DIP-6 | 65 units per tube |
| M | Wide lead bend (0.4 inch spacing) | 65 units per tube |
| S (TA) | Surface mount lead form + TA tape & reel option | 1000 units per reel |
| S (TB) | Surface mount lead form + TB tape & reel option | 1000 units per reel |
| S1 (TA) | Surface mount lead form (low profile) + TA tape & reel option | 1000 units per reel |
| S1 (TB) | Surface mount lead form (low profile) + TB tape & reel option | 1000 units per reel |

Package Dimension (Dimensions in mm)

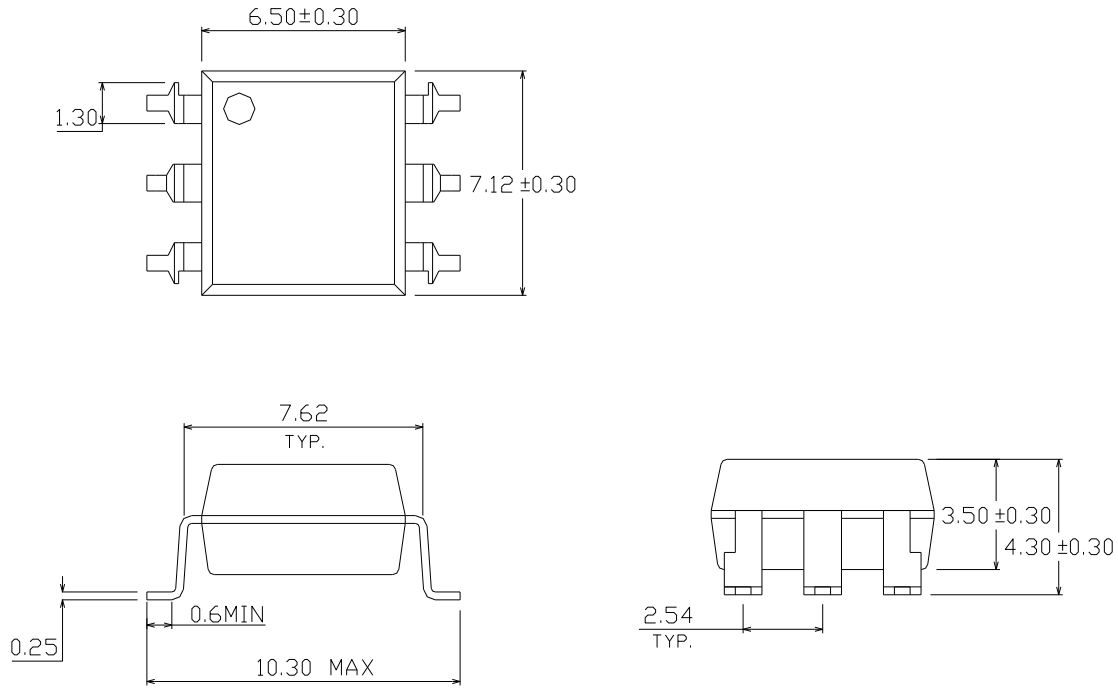
Standard DIP Type



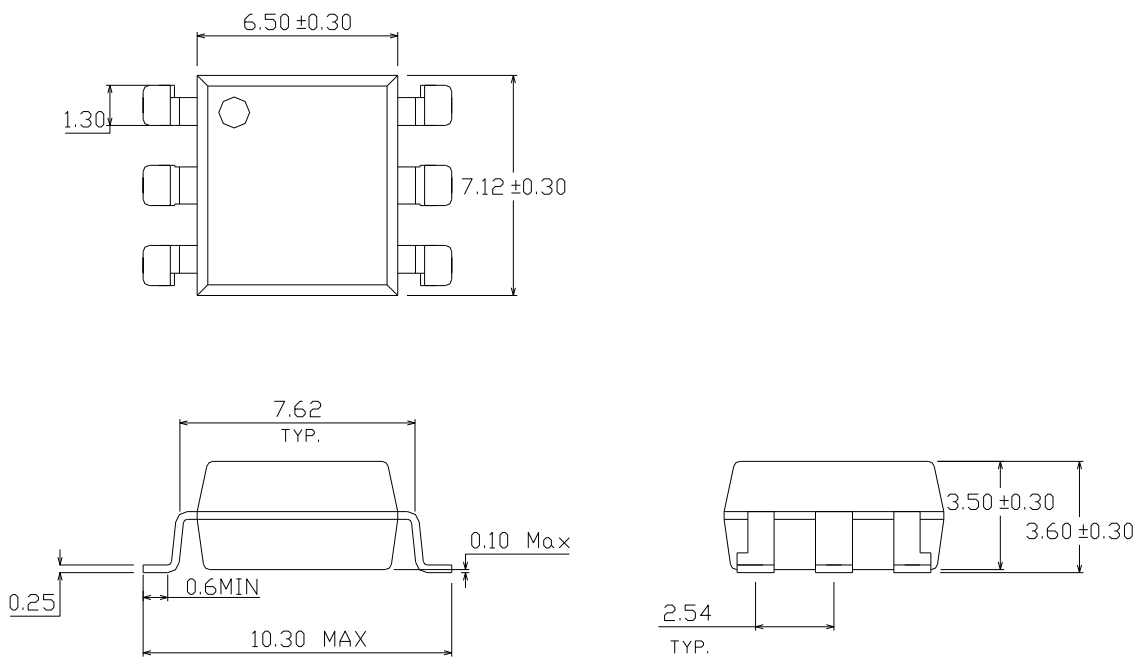
Option M Type



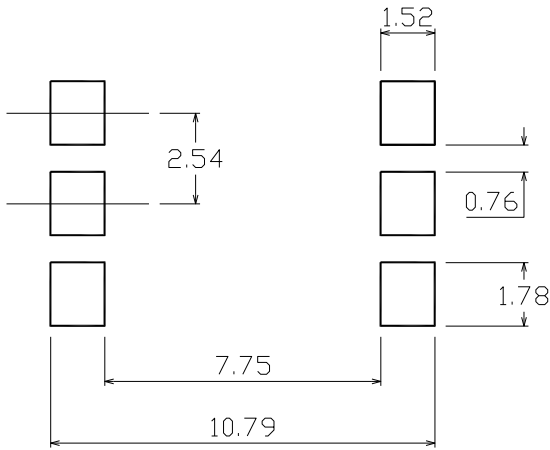
Option S Type



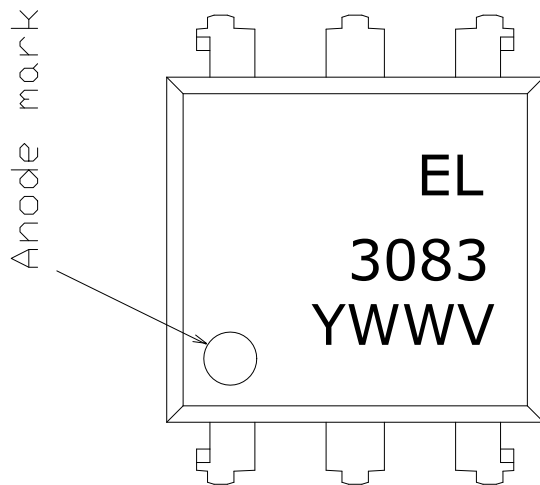
Option S1 Type



Recommended pad layout for surface mount leadform



Device Marking

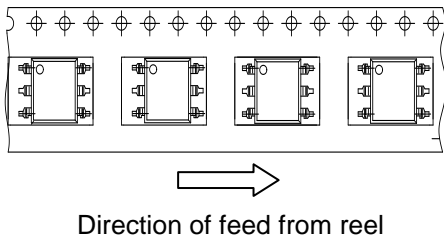


Notes

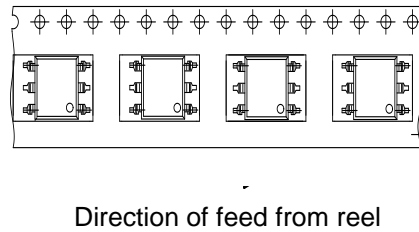
- EL denotes Everlight
- 3083 denotes Device Number
- Y denotes 1 digit Year code
- WW denotes 2 digit Week code
- V denotes VDE option

Tape & Reel Packing Specifications

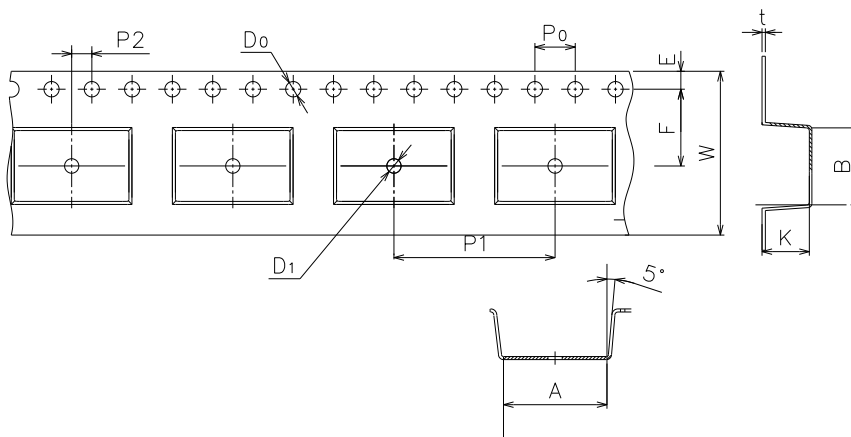
Option TA



Option TB



Tape dimensions



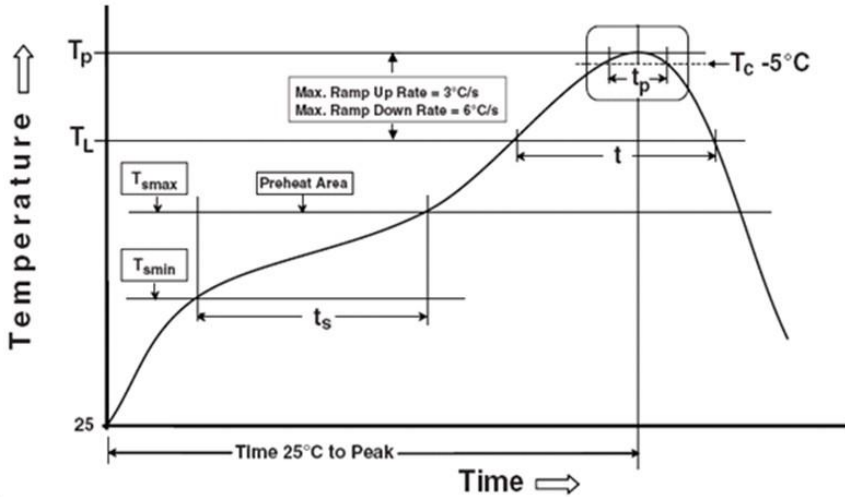
| Dimension No. | A | B | D ₀ | D ₁ | E | F |
|----------------|----------|---------|----------------|----------------|----------|---------|
| Dimension (mm) | 10.4±0.1 | 7.5±0.1 | 1.5±0.1 | 1.5+0.1/-0 | 1.75±0.1 | 7.5±0.1 |

| Dimension No. | P ₀ | P ₁ | P ₂ | t | W | K |
|----------------|----------------|----------------|----------------|-----------|----------|---------|
| Dimension (mm) | 4.0±0.15 | 12±0.1 | 2.0±0.1 | 0.35±0.03 | 16.0±0.2 | 4.5±0.1 |

Precautions for Use

1. Soldering Condition

1.1 (A) Maximum Body Case Temperature Profile for evaluation of Reflow Profile



Note:

Reference: IPC/JEDEC J-STD-020D

Preheat

| | |
|--|-----------------|
| Temperature min (T_{smin}) | 150 °C |
| Temperature max (T_{smax}) | 200°C |
| Time (T_{smin} to T_{smax}) (t_s) | 60-120 seconds |
| Average ramp-up rate (T_{smax} to T_p) | 3 °C/second max |

Other

| | |
|--|------------------|
| Liquidus Temperature (T_L) | 217 °C |
| Time above Liquidus Temperature (t_L) | 60-100 sec |
| Peak Temperature (T_p) | 260°C |
| Time within 5 °C of Actual Peak Temperature: $T_p - 5^\circ\text{C}$ | 30 s |
| Ramp- Down Rate from Peak Temperature | 6°C /second max. |
| Time 25°C to peak temperature | 8 minutes max. |
| Reflow times | 3 times |

DISCLAIMER

1. Above specification may be changed without notice. EVERLIGHT will reserve authority on material change for above specification.
2. When using this product, please observe the absolute maximum ratings and the instructions for using outlined in these specification sheets. EVERLIGHT assumes no responsibility for any damage resulting from use of the product which does not comply with the absolute maximum ratings and the instructions included in these specification sheets.
3. These specification sheets include materials protected under copyright of EVERLIGHT corporation. Please don't reproduce or cause anyone to reproduce them without EVERLIGHT's consent.