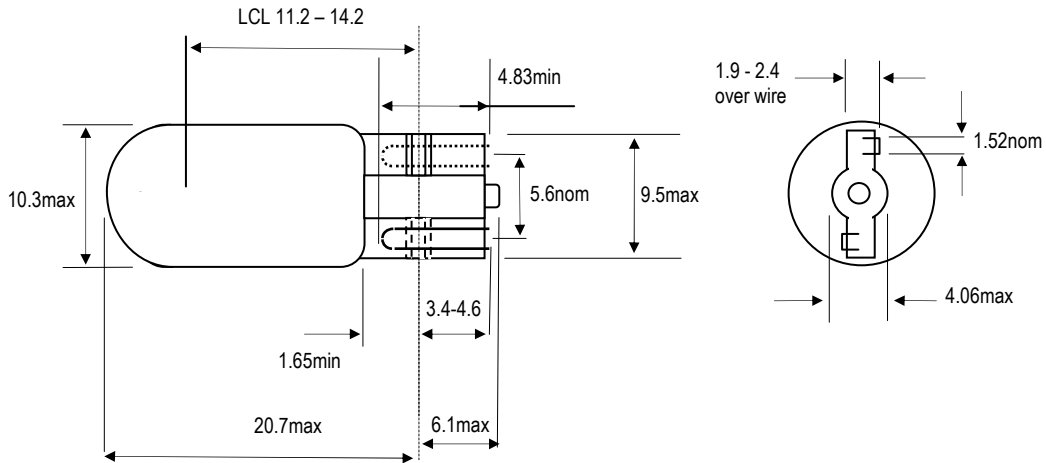


Description : **T-3¼(10mm) Wedge base lamp 24V 2W**

Dimensional Characteristics : All dimensions in mm



Glass components are lead-free

Bead colour: White

Filament construction C-2F

All dimensions in mm

Marking

SLI 513
24V 2W

Performance Characteristics @ 28 volts

	Nominal	Minimum	Maximum
Current(mA)	95	86	104
Light output(Lm)	13	10	16
Life(hrs)	5,000		