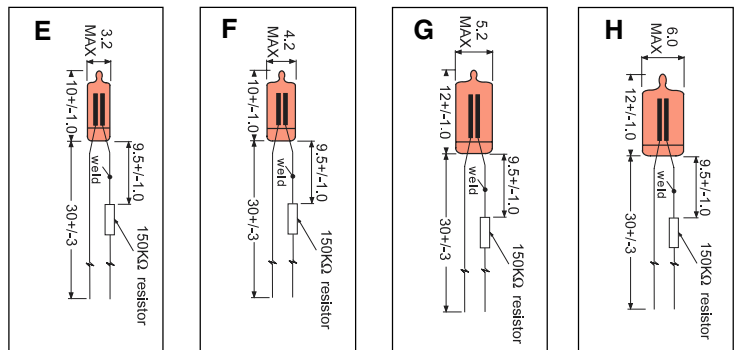


Neon Glow Lamps (Standard Brightness)

Line No.	Part No.	Color Off	Color On	Circuit Voltage	Breakdown V		Current mA	Series Resistor		Average Life (hours)	mcd	Drawing
					Maximum AC	DC		115V	220V			
1	N513	Clear	Red	90-115/220	65	90	0.3	150kΩ	480kΩ	30,000	1.4	A
2	N515	Clear	Red	90-115/220	65	90	0.3	150kΩ	480kΩ	40,000	1.4	B
3	N516	Clear	Red	90-115/220	65	90	0.3	150kΩ	480kΩ	50,000	1.4	C
4	N526	Clear	Red	90-115/220	65	90	0.3	150kΩ	480kΩ	50,000	1.4	D



Neon Glow Lamps (Standard Brightness) with Resistor

Line No.	Part No.	Color Off	Color On	Circuit Voltage	Breakdown V		Current mA	Series Resistor	Average Life (hours)	mcd	Drawing
					Maximum AC	DC					
5	N513R1	Clear	Red	90-115	65	90	0.3	150kΩ	30,000	1.4	E
6	N515R1	Clear	Red	90-115	65	90	0.3	150kΩ	40,000	1.4	F
7	N516R1	Clear	Red	90-115	65	90	0.3	150kΩ	50,000	1.4	G
8	N526R1	Clear	Red	90-115	65	90	0.3	150kΩ	50,000	1.4	H