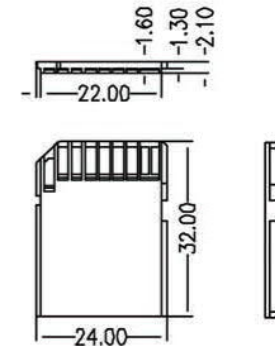
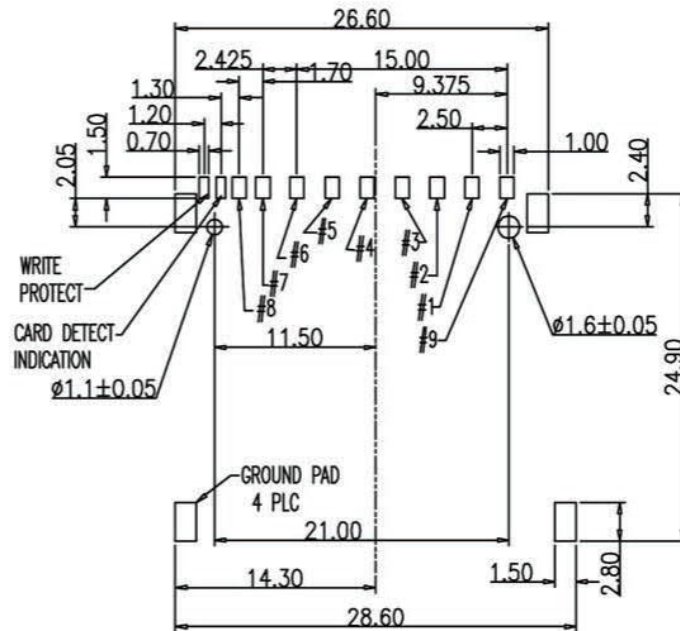
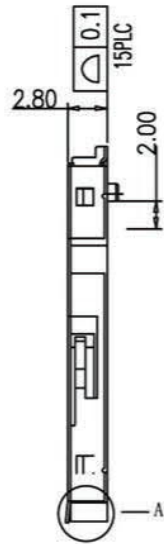
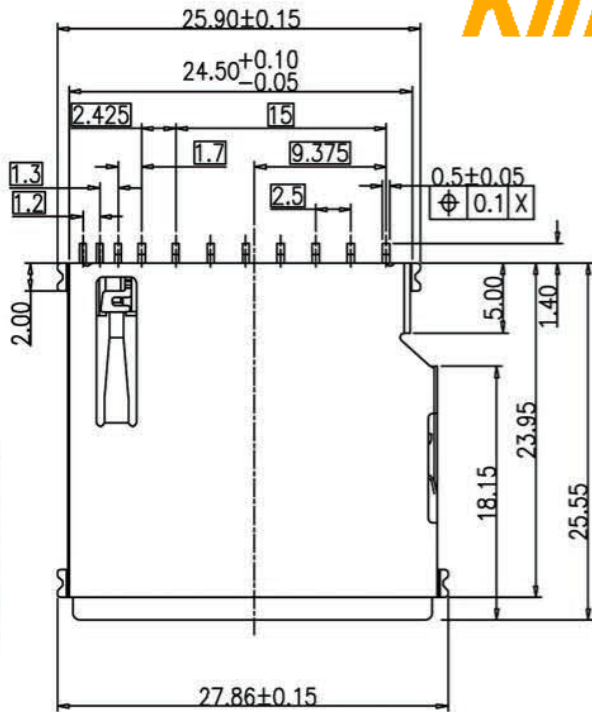


REV.	DATE	MODIFICATION	APPROVER
Ⓐ	12.02.22	NEW	Vicky
Ⓑ	12.07.20	A处改不包住胶芯	
Ⓒ			

OE Foxit PDF Editor 1/4
%00AOU/EA'AJE



SD CARD

Note:

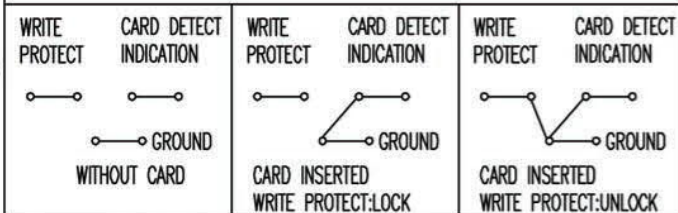
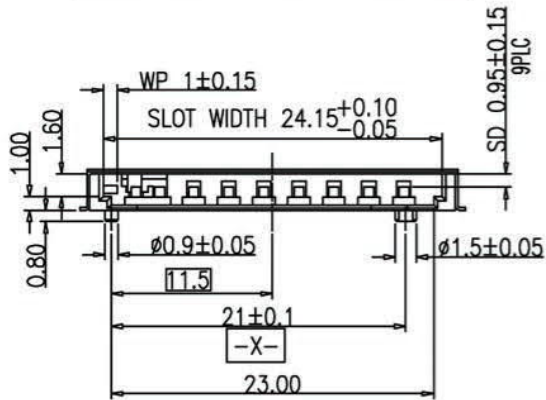
- Materials:
1.1 Housing: LCP 30%GP, UL94V-0, Colour: White, 260°C 30second
1.2 Contact: C2680, Gold plated 1U", Tin plated 100U" on Solder Tails
1.3 Shell: C2680, Nickel plated 100U"
- Main features:
2.1 Insertion force: 4.0kgf MAX
2.2 Extraction force: 0.1kgf MIN
2.3 Life cycle: 1000 times
2.4 Insulation resistance: 100Ω MIN 500V
2.5 Contact resistance: 100mΩ MAX

RECOMMENDED PCB LAYOUT
(TOLERANCE:±0.1)

型号: KH-SD2825-B

PIN Assignment

PIN#	Name	Type	Card Detect/bete line[Bit3]
1	CD/DAT3	I/O/PP	Cornard/response
2	CMD	PP	Supply voltage
3	VSS1	S	Supply voltage ground
4	VDD	S	Supply voltage
5	CLK	I	Clock
6	VSS2	S	Supply voltage ground
7	DAT0	I/O/PP	Date line [Bit0]
8	DAT1	I/O/PP	Date line [Bit1]
9	DAT2	I/O/PP	Date line [Bit2]



GENERAL TOLERANCE	UNITS mm	NAME
SELECT <input checked="" type="checkbox"/>		
OR TUL		PART NO:
1 2 3	NONE	APPD:
X.XXX ± 0.05 0.15	FINISH NONE	CHKD:
X.XX ± 0.13 0.25		DR:
X.X ± 0.25 0.5	Q' TY NONE	
X ± 0.38 1.00		
ANGLE ± 1°		



技术详询

深圳市金航标电子有限公司

TITLE: SD CARD 长体			
DWG NO.			
SCALE	SHEET	REV	
		1:1	1 OF 1