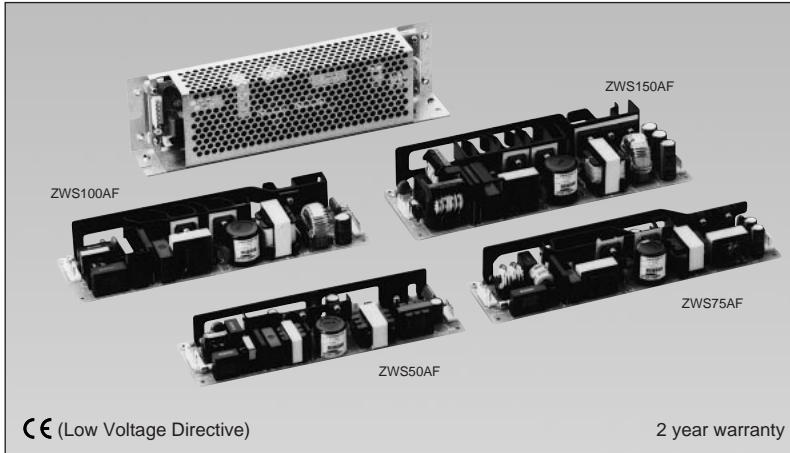


ZWS-AF-SERIES

Single output 50W ~ 150W



Model name

ZWS 100AF-5/

Series Name Output Power Active Filter contained Output Voltage

Option
blank : Molex connector, PCB type
A : Molex connector, with-cover type
J : JST connector, PCB type
JA : JST connector, with-cover type

Features

- CE marking (Low Voltage Directive)
- Active Filter contained, PFHC type
- Applicable to peak output wattage 120% (12V, 15V, 24V output)
- Low leakage current 0.5mA max
- Equipped with Remote ON/OFF control (with-cover type excluded) and output variable voltage
- 2 year warranty

PC Board Type Power Supply

Specifications

1. Input voltage range	85~265VAC (47~63Hz) , 120~370VDC universal input
2. Power factor	0.99 (typ) 100VAC at full load, 0.95(typ) 200VAC at full load
3. Output Voltage range	± 10%
4. Cooling	Convection cooling or Forced air cooling
5. Operating ambient temperature (Standard mounting)	ZWS50AF,75AF, Convection cooling -10°C~+50°C:100%,+60°C:70% (with cover:-10°C~+40°C:100%,+50°C:70%) Forced air cooling -10°C~+60°C:100%,+70°C:70% (with cover:-10°C~+50°C:100%,+60°C:70%)
	ZWS100AF Convection cooling -10°C~+50°C:100%,+60°C:60% (with cover:-10°C~+40°C:100%,+50°C:60%) Forced air cooling -10°C~+60°C:100%,+70°C:70% (with cover:-10°C~+50°C:100%,+60°C:70%)
	ZWS150AF Convection cooling -10°C~+40°C:100%,+60°C:50% (with cover:-10°C~+30°C:100%,+45°C:50%) Forced air cooling -10°C~+50°C:100%,+60°C:70% (with cover:-10°C~+40°C:100%,+50°C:70%)
6. Withstand voltage	Input-output : 3kVAC (20mA) , Input-FG : 2kVAC (20mA) , Output-FG : 500VAC (100mA) for 1 min
7. Safety standard	Approved by UL1950 , CSA950(C-UL) , EN60950(TUV) and EN50178(TUV)
8. CE marking	Conforms to Low Voltage Directive
9. EMI	Meets to EN55011-B,EN55022,FCC-B,VCCI-B
10. Immunity	Meets to EN50082-2(EN61000-4-2,-3,-4,-5,-6,-7,-8,-11)
11. PFHC	Meets to EN61000-3-2
12. Functions	Over voltage protection,Over current protection,Remote on/off control(for open frame type only)

Product lineup

Model name	Nominal output voltage	Max. output current	Note 1		Note 1		UL	CSA	EN
			Max. peak output current	Max. average output power	Max. peak output power				
ZWS50AF	ZWS50AF-5	5V	10A	-	50.0W	-	○	○	○
	ZWS50AF-12	12V	4.3A	5.2A	51.6W	62.4W	○	○	○
	ZWS50AF-15	15V	3.5A	4.2A	52.5W	63.0W	○	○	○
	ZWS50AF-24	24V	2.1A	2.6A	50.4W	62.4W	○	○	○
ZWS75AF	ZWS75AF-5	5V	15A	-	75.0W	-	○	○	○
	ZWS75AF-12	12V	6.3A	7.5A	75.6W	90.0W	○	○	○
	ZWS75AF-15	15V	5.0A	6.0A	75.0W	90.0W	○	○	○
	ZWS75AF-24	24V	3.2A	3.8A	76.8W	91.8W	○	○	○
ZWS100AF	ZWS100AF-5	5V	20A	-	100.0W	-	○	○	○
	ZWS100AF-12	12V	8.5A	10A	102.0W	120.0W	○	○	○
	ZWS100AF-15	15V	6.7A	8.0A	100.5W	120.0W	○	○	○
	ZWS100AF-24	24V	4.3A	5.0A	103.2W	120.0W	○	○	○
ZWS150AF	ZWS150AF-5	5V	30A	-	150.0W	-	○	○	○
	ZWS150AF-12	12V	12.5A	15A	150.0W	180.0W	○	○	○
	ZWS150AF-15	15V	10A	12A	150.0W	180.0W	○	○	○
	ZWS150AF-24	24V	6.3A	7.5A	151.2W	180.0W	○	○	○

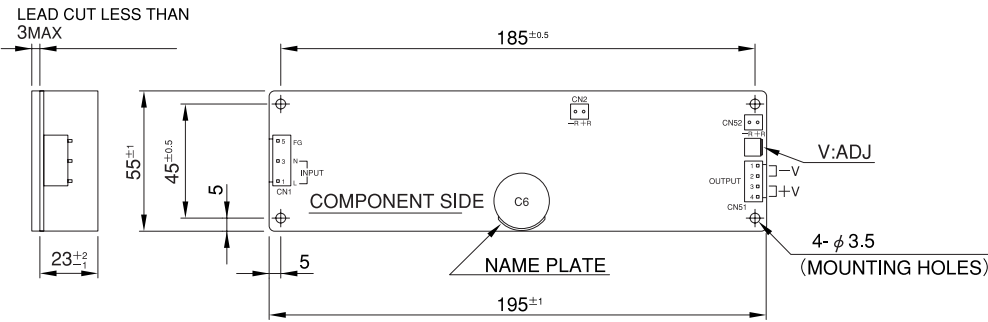
Note1 : Duration at peak current : 10 seconds max. within Max. average output power.

●Based on the data under normal installation and without cover type. Needs output derating according to installation method or ambient temperature condition.

○ : Safety standard approved

ZWS-AF-SERIES

ZWS50AF (STD Model:MOLEX connector,/J Type: JST connector)



● Recommended Noise Filter

MAW-1202-22



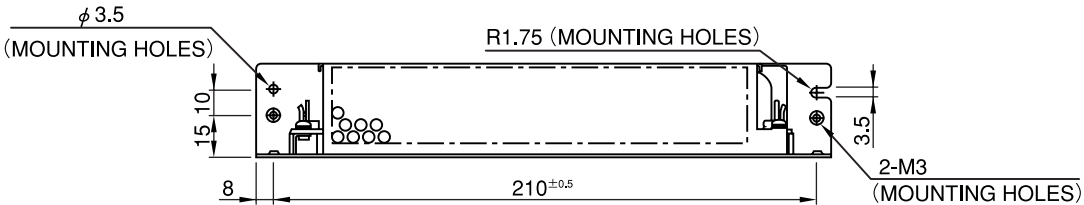
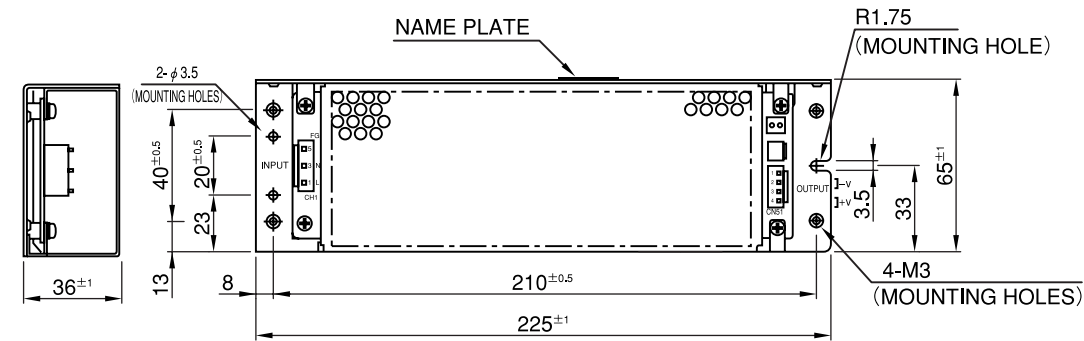
P134

● Recommended Wire harness

P209

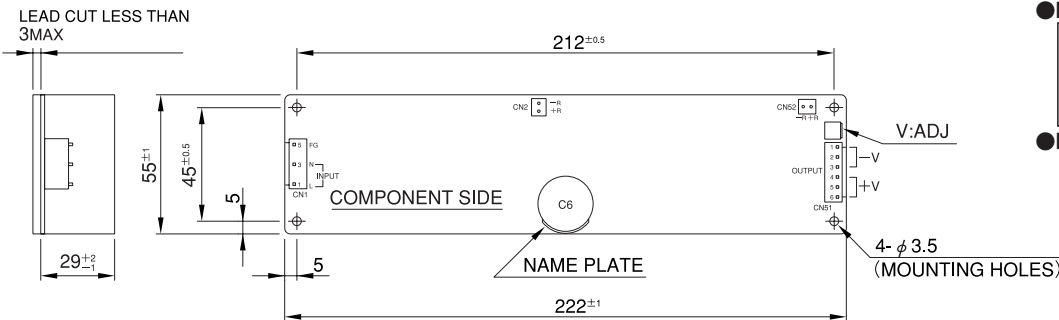
(Unit: mm)

ZWS50AF (/JA Type : With-cover Type)



(Unit: mm)

ZWS75AF (STD Model:MOLEX connector,/J Type: JST connector)



● Recommended Noise Filter

MAW-1202-22



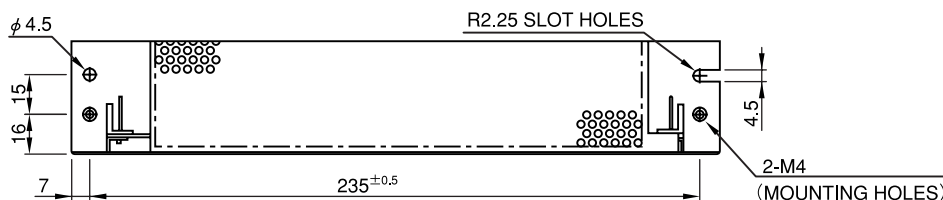
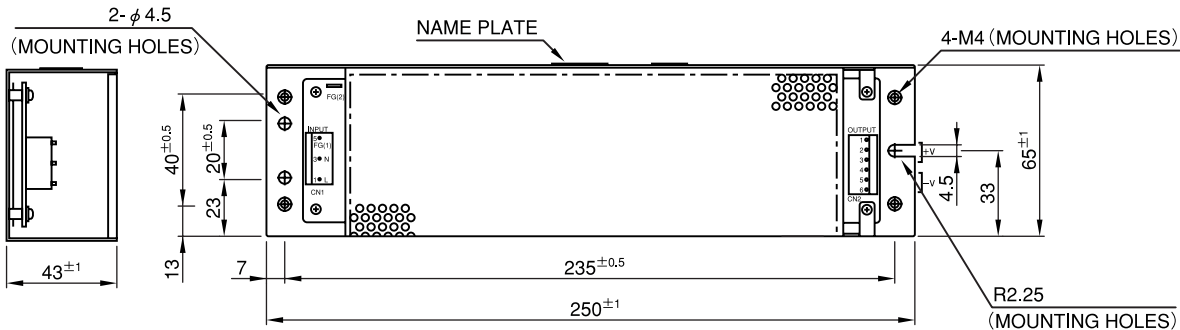
P134

● Recommended Wire harness

P209

(Unit: mm)

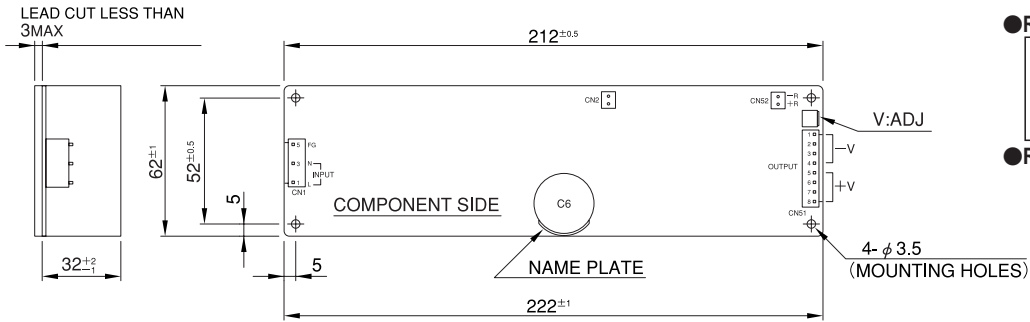
ZWS75AF (/JA Type : With-cover Type)



(Unit: mm)

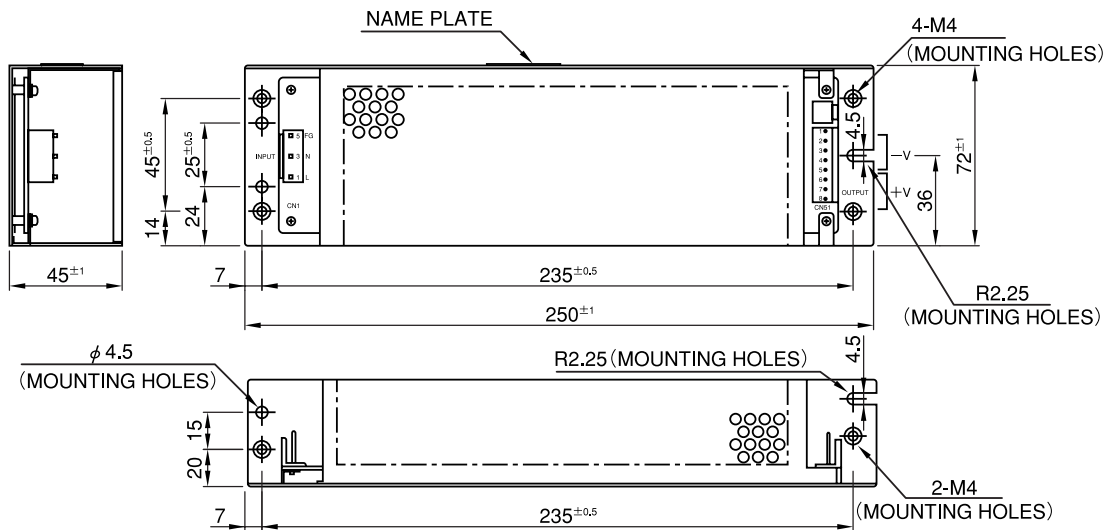
ZWS-AF-SERIES

■ ZWS100AF (STD Model:MOLEX connector,/J Type: JST connector)



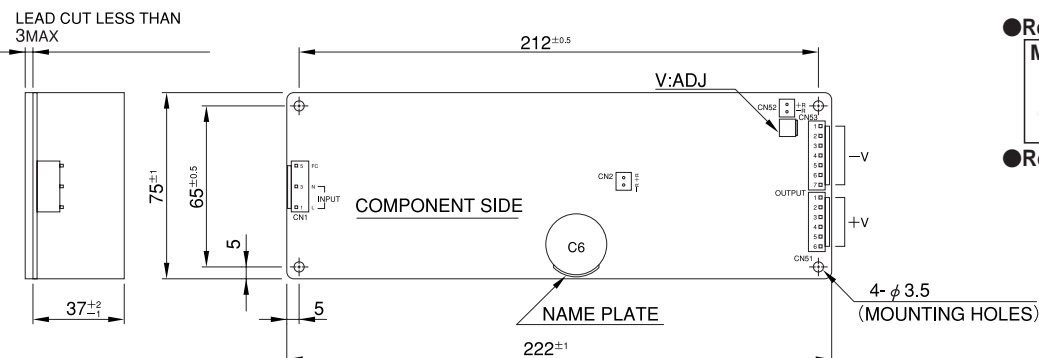
(Unit: mm)

■ ZWS100AF (/JA Type : With-cover Type)



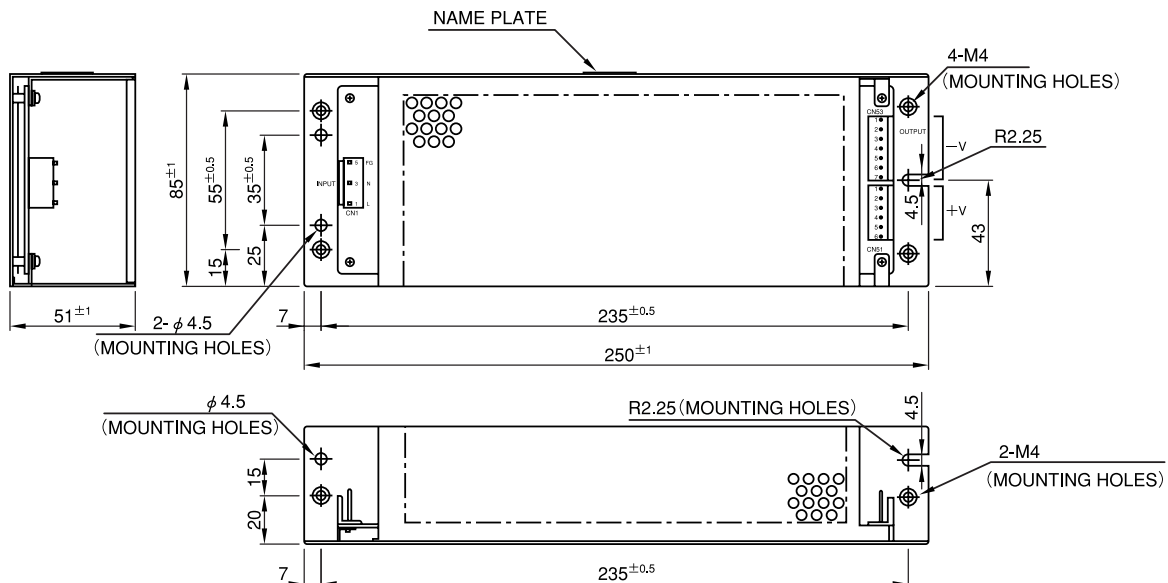
(Unit: mm)

■ ZWS150AF (STD Model:MOLEX connector,/J Type: JST connector)



(Unit: mm)

■ ZWS150AF (/JA Type : With-cover Type)

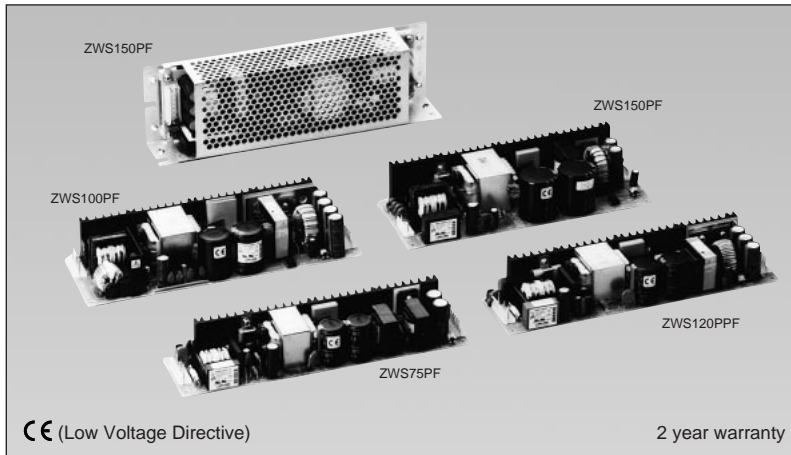


(Unit: mm)

ZWS-PF-SERIES

Single output 75W ~ 150W

LAMBDA
DENSEI-LAMBDA



Model name

ZWS 100PF-5/

Series Name

Output Wattage

Passive Filter contained

Output Voltage

Option

blank: Molex connector, PCB type (JST connector for 120PPF)
A: Molex connector, with-cover type (JST connector for 120PPF)
J: JST connector, PCB type
JA: JST connector, with-cover type

Features

- CE marking (Low Voltage Directive)
- Passive Filter contained, PFHC type
- Applicable to peak output wattage 120% (200% for ZWS120PPF)
- Low Cost!!
- Equipped with output variable voltage

Specifications

1. Input voltage range	85~132VAC/170~265VAC (47~63Hz)auto-selectable	
2. Output Voltage range	± 10%	
3. Cooling	Convection cooling	
4. Operating ambient temperature (Standard mounting)	ZWS100PF	-10°C~+50°C:100%,+60°C:60%
	ZWS120PPF	-10°C~+50°C:100%,+60°C:70%
	ZWS150PF	Convection cooling -10°C~+30°C:100%,+40°C:80%,+60°C:50% Forced air cooling -10°C~+50°C:100%,+60°C:70% (0.7m/s)
5. Withstand voltage	Input-output : 3kVAC (20mA) , Input-chassis : 2kVAC (20mA) , Output-chassis : 500VAC (100mA) for 1 min	
6. Safety standard	Approved by UL1950 , CSA950(C-UL) , EN60950(TUV)	
7. CE marking	Conforms to low voltage directive	
8. EMI	Meets to EN55011-B,EN55022-B,FCC-B,VCCI-B	
9. Immunity	Meets to EN50082-2(EN61000-4-2,-3,-4,-5,-6)	
10. PFHC	Meets to EN61000-3-2 ZWS75PF,ZWS100PF(Input power: over 50W) ZWS120PPF,ZWS150PF(Input power: over75W)	
11. Functions	Over voltage protection,Over current protection	

Product lineup

Note 1

Model name		Nominal output voltage	Max. output current	Max. peak output current	Max. output power	UL	CSA	EN
ZWS75PF	ZWS75PF-3	3.3V	15A	18A	49.5W	○	○	○
	ZWS75PF-5	5V	15A	18A	75W	○	○	○
	ZWS75PF-12	12V	6.3A	7.5A	76W	○	○	○
	ZWS75PF-15	15V	5A	6A	75W	○	○	○
	ZWS75PF-24	24V	3.2A	3.8A	76.8W	○	○	○
	ZWS75PF-36	36V	2.1A	2.5A	75.6W	○	○	○
ZWS100PF	ZWS100PF-3	3.3V	20A	24A	66W	○	○	○
	ZWS100PF-5	5V	20A	24A	100W	○	○	○
	ZWS100PF-12	12V	8.5A	10A	102W	○	○	○
	ZWS100PF-15	15V	6.7A	8A	100.5W	○	○	○
	ZWS100PF-24	24V	4.3A	5A	103.2W	○	○	○
	ZWS100PF-36	36V	2.8A	3.4A	100.8W	○	○	○
ZWS120PPF	ZWS120PPF-24	24V	5A	10A	120W	○	○	○
	ZWS120PPF-36	36V	3.4A	6.7A	122.4W	○	○	○
ZWS150PF	ZWS150PF-3	3.3V	30A	36A	99W	○	○	○
	ZWS150PF-5	5V	30A	36A	150W	○	○	○
	ZWS150PF-12	12V	12.5A	15A	150W	○	○	○
	ZWS150PF-15	15V	10A	12A	150W	○	○	○
	ZWS150PF-24	24V	6.3A	7.5A	151.2W	○	○	○
	ZWS150PF-36	36V	4.2A	5A	151.2W	○	○	○
	ZWS150PF-48	48V	3.2A	3.8A	153.6W	○	○	○

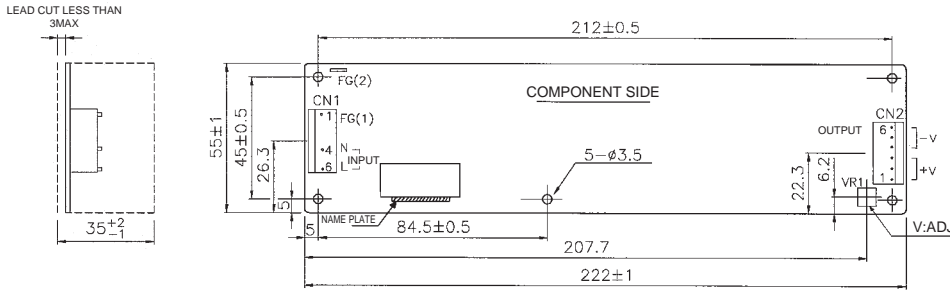
Note1 : Duration at peak current 10 seconds max.(Duty : 0.35 max.)

●Based on the data under normal installation and without cover type. Needs output derating according to installation method or ambient temperature condition.

○ : Safety standard approved

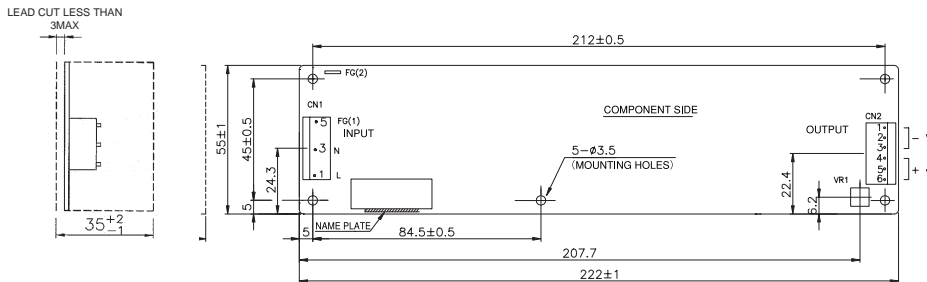
ZWS-PF-SERIES

■ ZWS75PF (STD Model:MOLEX connector)



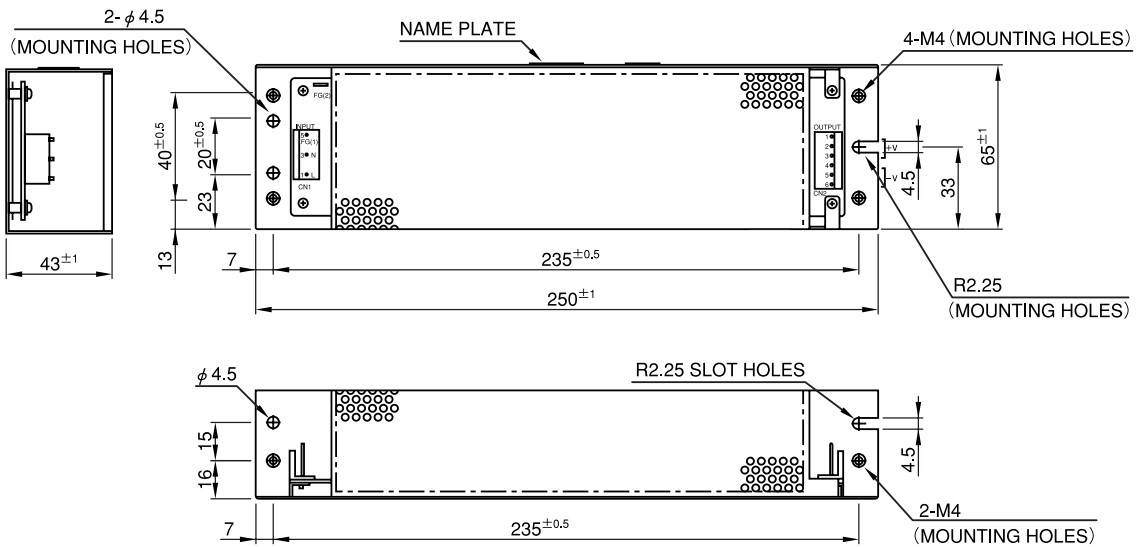
(Unit: mm)

■ ZWS75PF (/J Type: JST connector)

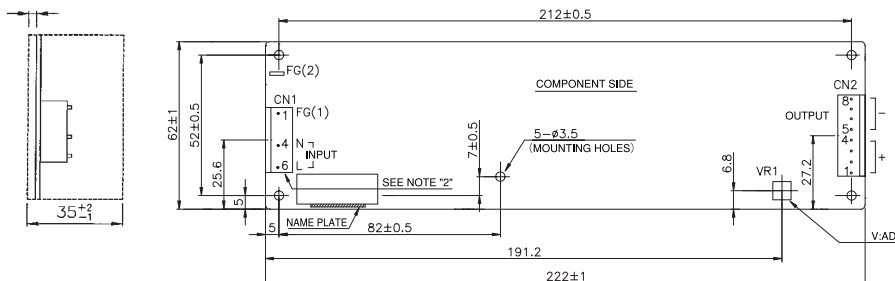


(Unit: mm)

■ ZWS75PF (/JA Type : With-cover Type JST connector)



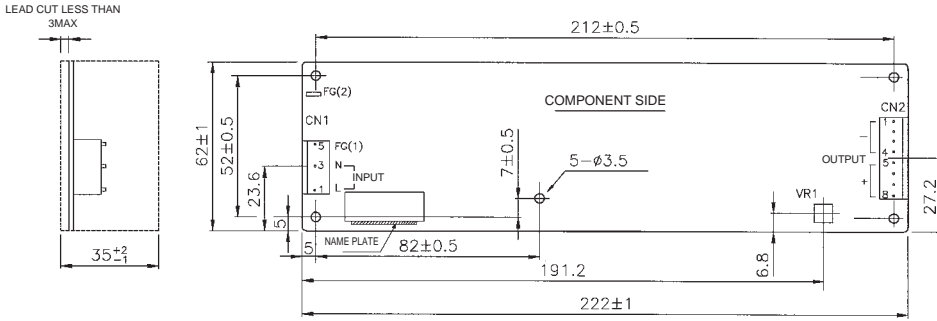
■ ZWS100PF (STD Model:MOLEX connector)



(Unit: mm)

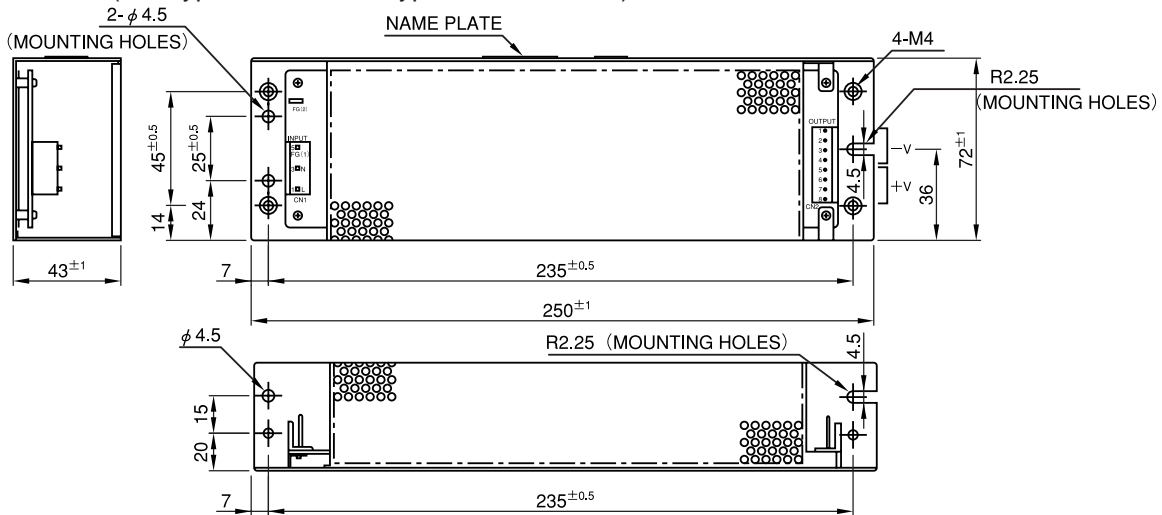
ZWS-PF-SERIES

ZWS100PF (/J Type: JST connector)



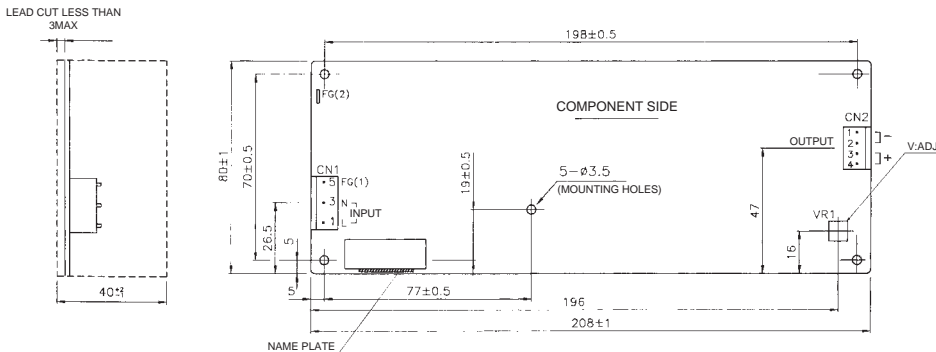
(Unit: mm)

ZWS100PF (/JA Type : With-cover Type JST connector)



(Unit: mm)

ZWS120PPF (STD Model:JST connector)



(Unit: mm)

Recommended Noise Filter

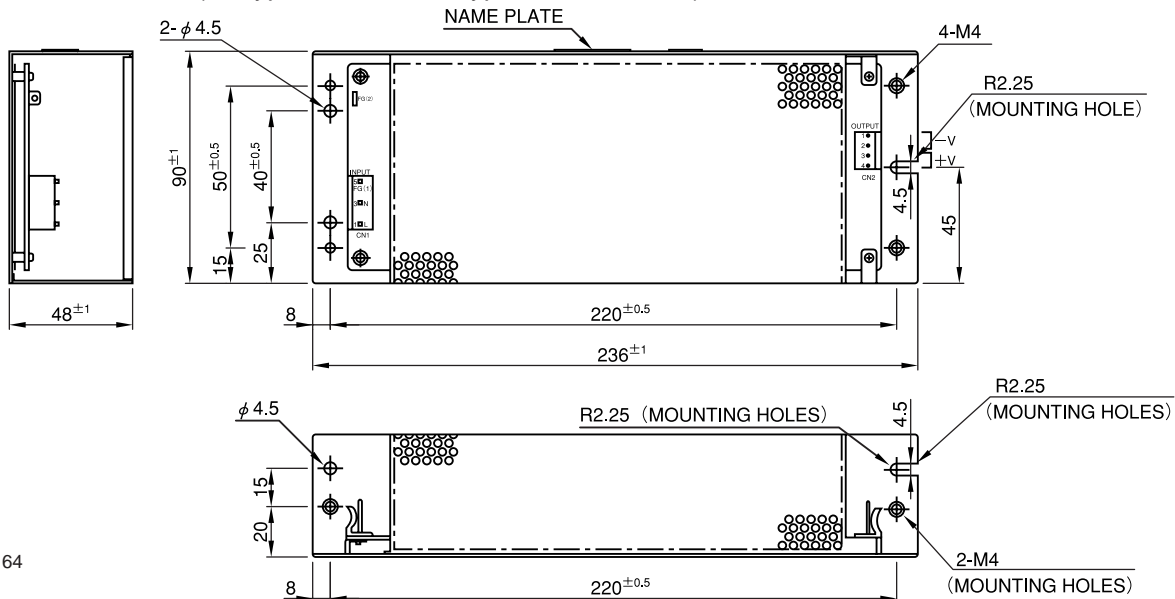


P137

Recommended Wire harness



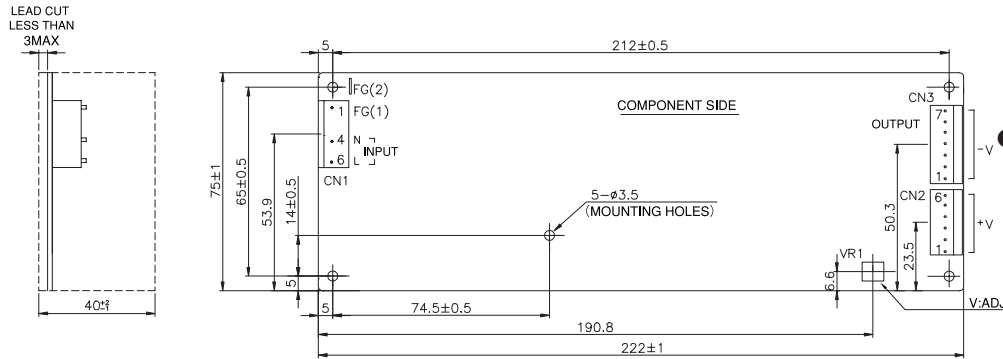
ZWS120PPF (/A Type : With-cover Type JST connector)



(Unit: mm)

ZWS-PF-SERIES

■ ZWS150PF (STD Model:MOLEX connector)

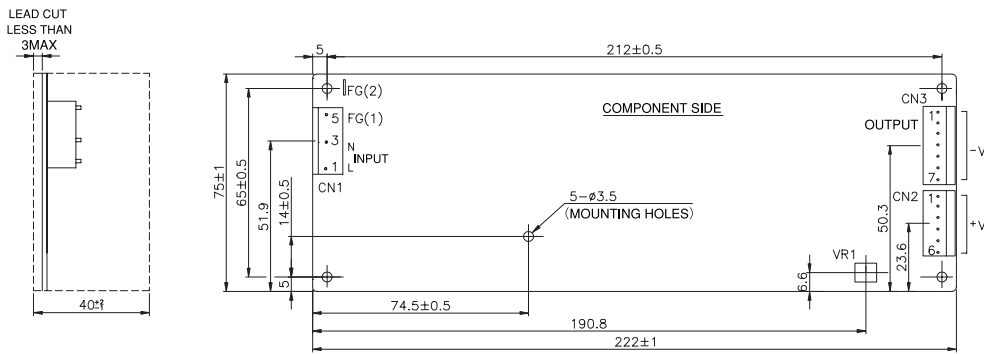


- Recommended Noise Filter
MB1206
GO!!
P137
- Recommended Wire harness
P209

PC Board Type Power Supply

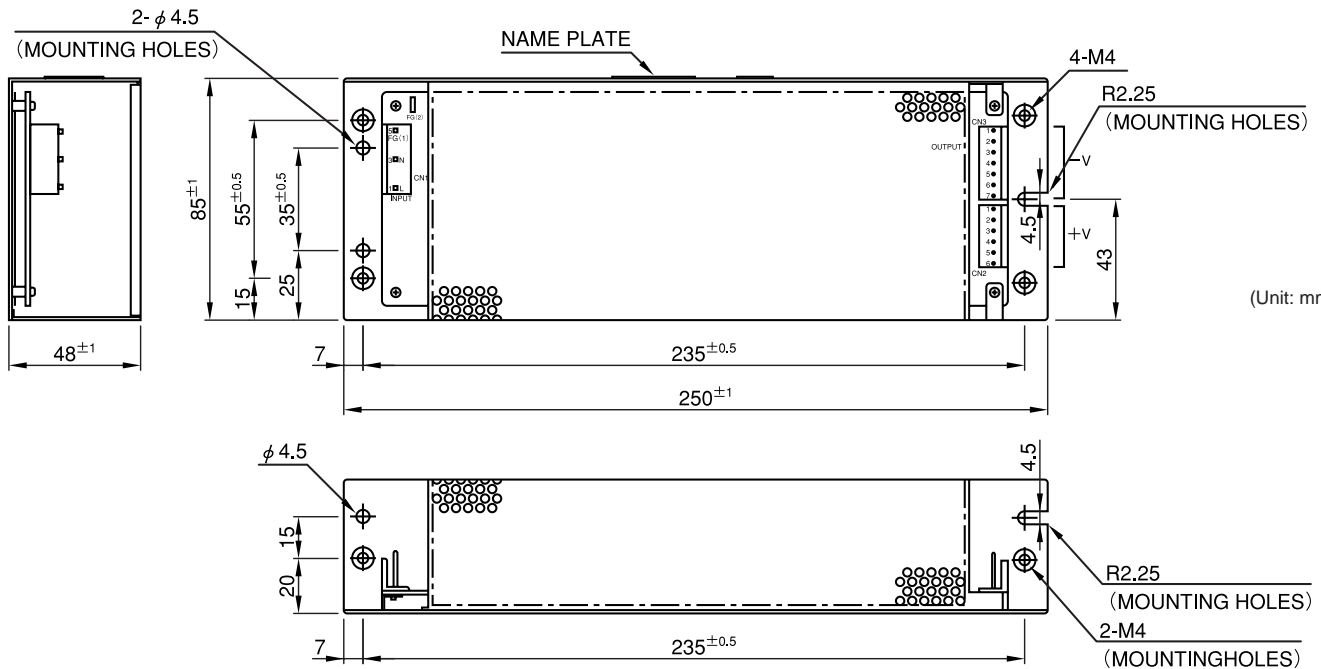
(Unit: mm)

■ ZWS150PF (/J Type: JST connector)



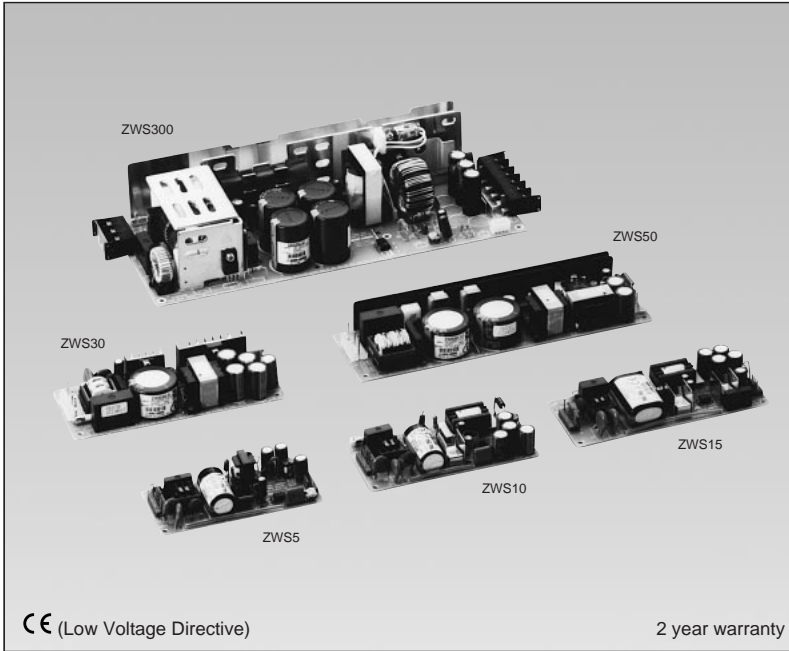
(Unit: mm)

■ ZWS150PF (/JA Type : With-cover Type JST connector)



(Unit: mm)

(Unit: mm)



Model name
ZWS 10-5/ [] []

Series Name Output Wattage Output Voltage Option
blank: Molex connector, PCB type
A: Molex connector, with-cover type
J: JST connector, PCB type
JA: JST connector, with-cover type

ZWS 300-5/ [] []

Series Name Output Wattage Output Voltage Option
R: With Remote ON/OFF control
T: Vertical terminal type
B: Input/Output connector terminal type (Only for 12V-48V output type)

Features

- CE marking (Low Voltage Directive)
- Wide input voltage range for 100V/200V, single output
- Low cost
- PCB type
- Applicable to various use; from office printer to air conditioning controller
- Applicable to peak current load

Specifications

1. Input voltage range	ZWS5-50	85~265VAC (47~440Hz) , 110~330VDC universal input
	ZWS300	85~132/170~265VAC (47~440Hz) auto-selectable
2. Output Voltage range	± 10%	
3. Cooling	Convection cooling	
4. Operating ambient temperature (Standard mounting)	ZWS5-50	-10°C~+50°C:100%, +60°C:70%
	ZWS300	Convection cooling -10°C~+40°C:100%, +50°C:80%, +60°C:60% Forced air cooling -10°C~+50°C:100%, +60°C:75%, +70°C:50%
5. Withstand voltage	Input-output : 3kVAC (20mA) , Input-chassis : 2kVAC (20mA) , Output-chassis : 500VAC (100mA) for 1 min	
6. Safety standard	Approved by UL1950 , CSA950(C-UL) , EN60950(TUV)	
7. CE marking	Conforms to low voltage directive	
8. EMI	Meets to EN55011-B, EN55022-B, FCC-B, VCCI-B	
9. Immunity	Meets to EN50082-2(EN61000-4-2,-3,-4,-5,-6)	
10. Functions	Over voltage protection, Over current protection	

Product lineup

Model name		Nominal output voltage	Max. output current	Max. peak output current	Max. output power	UL	CSA	EN
ZWS5	ZWS5-3	3.3V	1.0A	1.2A	3.3W	○	○	○
	ZWS5-5	5V	1.0A	1.2A	5W	○	○	○
	ZWS5-12	12V	0.42A	0.51A	5.04W	○	○	○
	ZWS5-15	15V	0.34A	0.41A	5.1W	○	○	○
	ZWS5-24	24V	0.22A	0.27A	5.28W	○	○	○
ZWS10	ZWS10-3	3.3V	2.0A	2.4A	6.6W	○	○	○
	ZWS10-5	5V	2.0A	2.4A	10W	○	○	○
	ZWS10-12	12V	0.85A	1.02A	10.2W	○	○	○
	ZWS10-15	15V	0.7A	0.84A	10.5W	○	○	○
ZWS15	ZWS15-3	3.3V	3.0A	3.6A	9.9W	○	○	○
	ZWS15-5	5V	3.0A	3.6A	15W	○	○	○
	ZWS15-12	12V	1.25A	1.5A	15W	○	○	○
	ZWS15-15	15V	1.0A	1.2A	15W	○	○	○
	ZWS15-24	24V	0.65A	0.78A	15.6W	○	○	○

Model name		Nominal output voltage	Max. output current	Max. peak output current	Max. output power	UL	CSA	EN
ZWS30	ZWS30-3	3.3V	6.0A	7.2A	19.8W	○	○	○
	ZWS30-5	5V	6.0A	7.2A	30W	○	○	○
	ZWS30-12	12V	2.5A	3.0A	30W	○	○	○
	ZWS30-15	15V	2.0A	2.4A	30W	○	○	○
	ZWS30-24	24V	1.3A	1.56A	31.2W	○	○	○
	ZWS30-36	36V	0.9A	1.08A	32.4W	○	○	○
ZWS50	ZWS30-48	48V	0.7A	0.84A	33.6W	○	○	○
	ZWS50-3	3.3V	10A	12A	33W	○	○	○
	ZWS50-5	5V	10A	12A	50W	○	○	○
	ZWS50-12	12V	4.3A	5.16A	51.6W	○	○	○
	ZWS50-15	15V	3.5A	4.2A	52.5W	○	○	○
	ZWS50-24	24V	2.1A	2.52A	50.4W	○	○	○
	ZWS50-36	36V	1.4A	1.68A	50.4W	○	○	○
	ZWS50-48	48V	1.1A	1.32A	52.8W	○	○	○

○ : Safety standard approved

Note 1: Duration at peak current: 10 seconds max., Duty: Below 35%.

- Standard model: Molex connector
- "J" model is available with J.S.T connector.

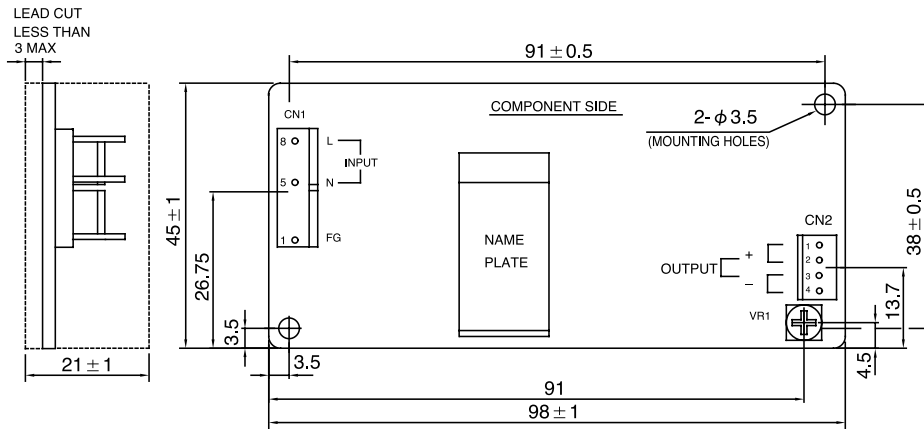
ZWS300 Series	Convection cooling				Forced air cooling			Safety standard		
	Model name	Nominal output voltage	Maximum output current	Maximum output power	Max. peak output power	Nominal output voltage	Maximum output current	Maximum output power	UL	CSA
ZWS300-3	3.3V	40A	132W	198W	3.3V	60A	198W	○	○	○
ZWS300-5	5V	40A	200W	300W	5V	60A	300W	○	○	○
ZWS300-12	12V	17A	204W	324W	12V	27A	324W	○	○	○
ZWS300-15	15V	14A	210W	330W	15V	22A	330W	○	○	○
ZWS300-24	24V	9A	216W	336W	24V	14A	336W	○	○	○
ZWS300-48	48V	4.2A	201.6W	302.4W	48V	6.3A	302.4W	○	○	○

Note : Duration under peak application is limited less than 30 seconds.
(Average output current under those condition should not exceed maximum output power.)

- Request customer specification for further details of specifications, outline, characteristics, etc. Read the instruction manual before usage.
- Contact us about delivery before ordering.

ZWS-SERIES

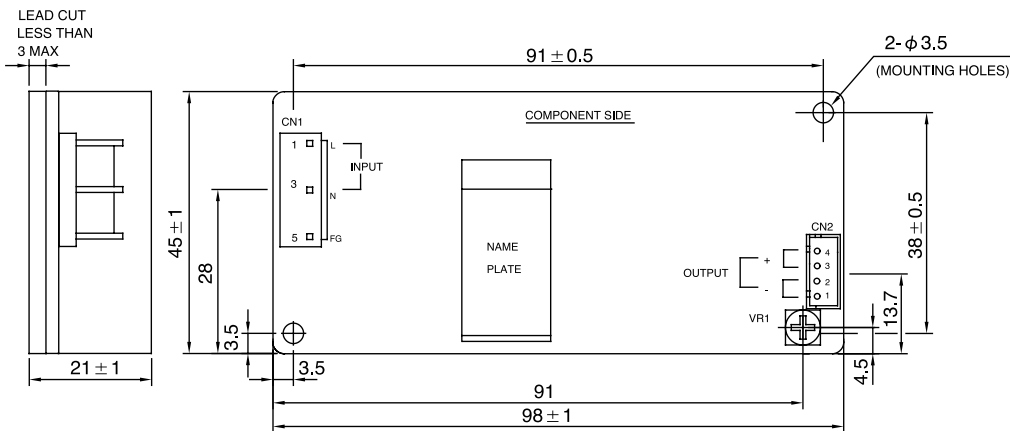
■ ZWS5 (MOLEX connector)



(Unit: mm)

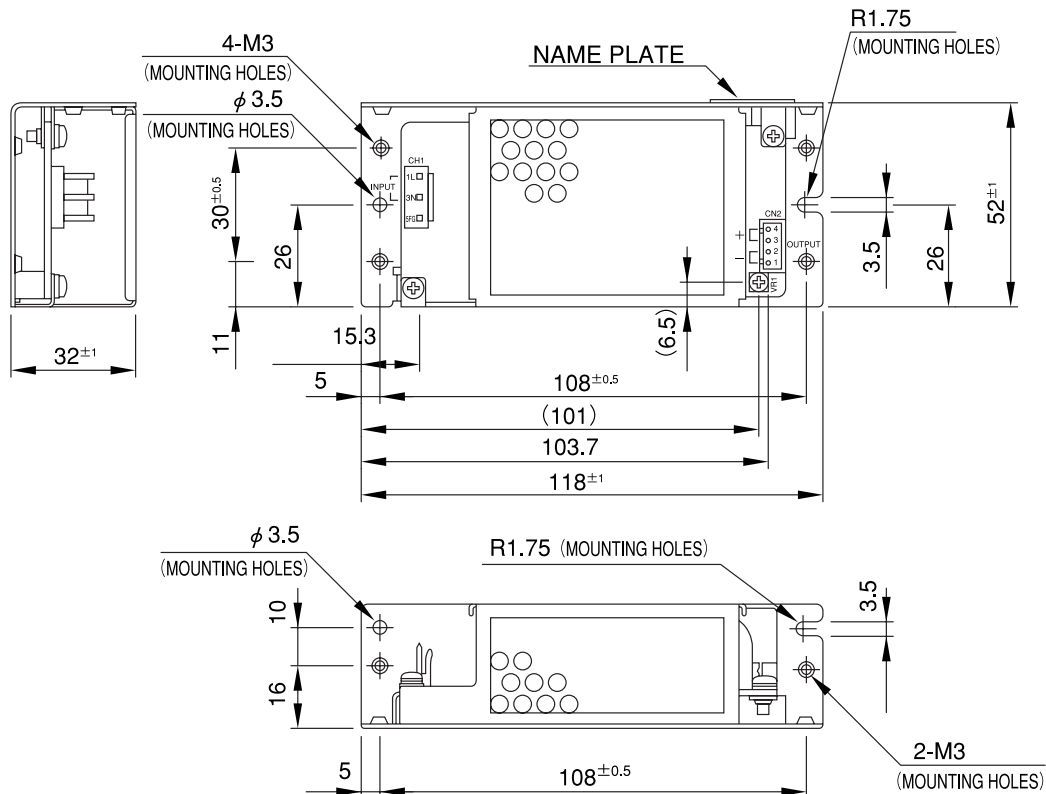
PC Board Type Power Supply

■ ZWS5 (J Type : JST connector)



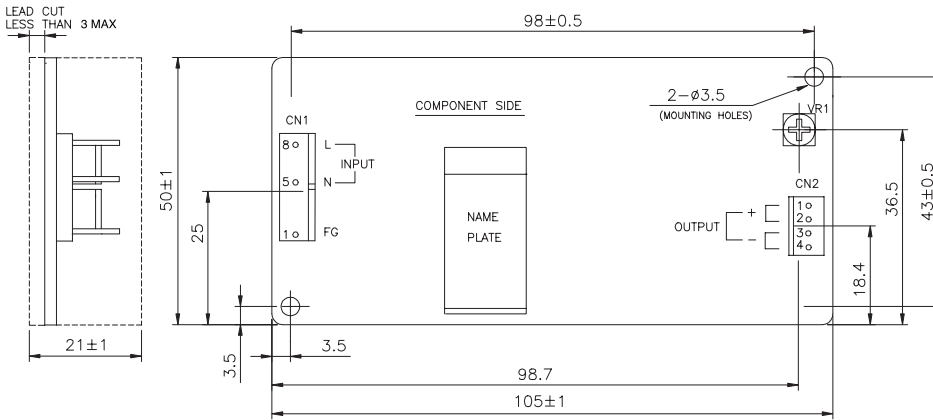
(Unit: mm)

■ ZWS5 (/JA Type : With-cover Type)



(Unit: mm)

■ ZWS10 (MOLEX connector)



● Recommended Noise Filter

MAW-12R5-22



P134

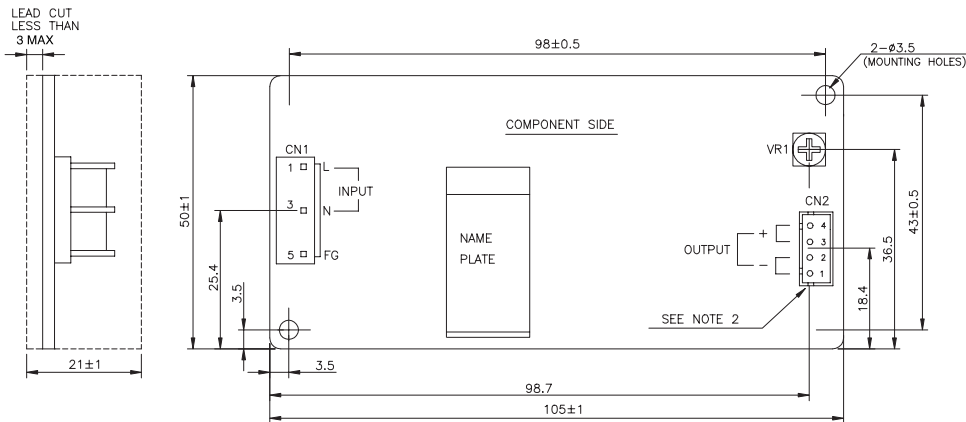
● Recommended Wire harness

P209



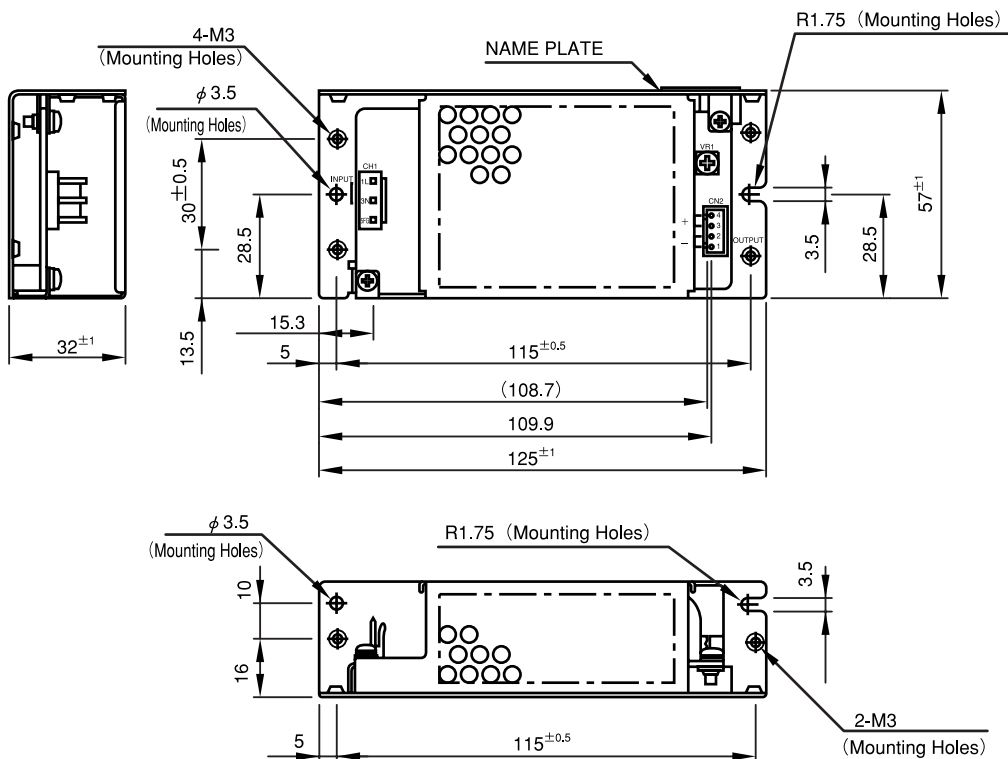
(Unit: mm)

■ ZWS10 (J Type : JST connector)



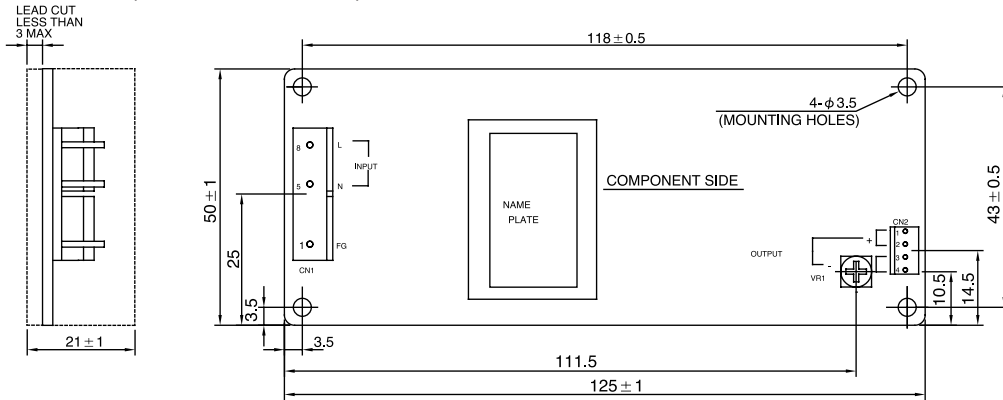
(Unit: mm)

■ ZWS10 (/JA Type : With-cover Type)



ZWS-SERIES

ZWS15 (MOLEX connector)



● Recommended Noise Filter

MAW-1201-22



GO!!
P134

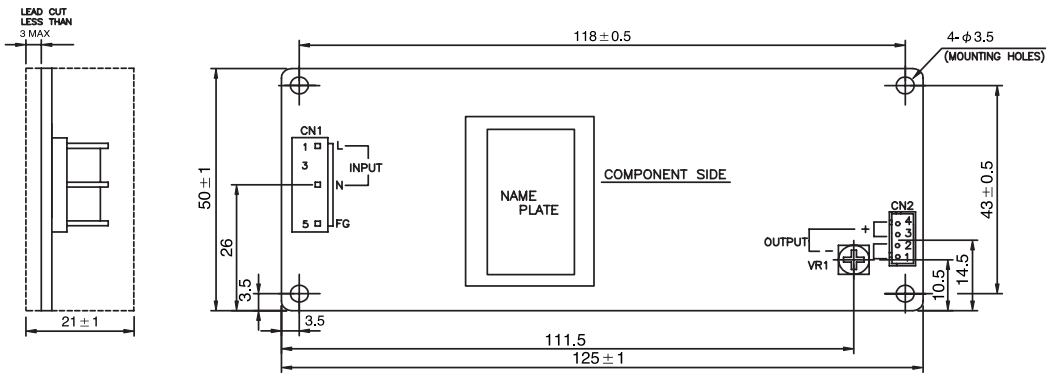
● Recommended Wire harness

GO!!
P209

PC Board Type Power Supply

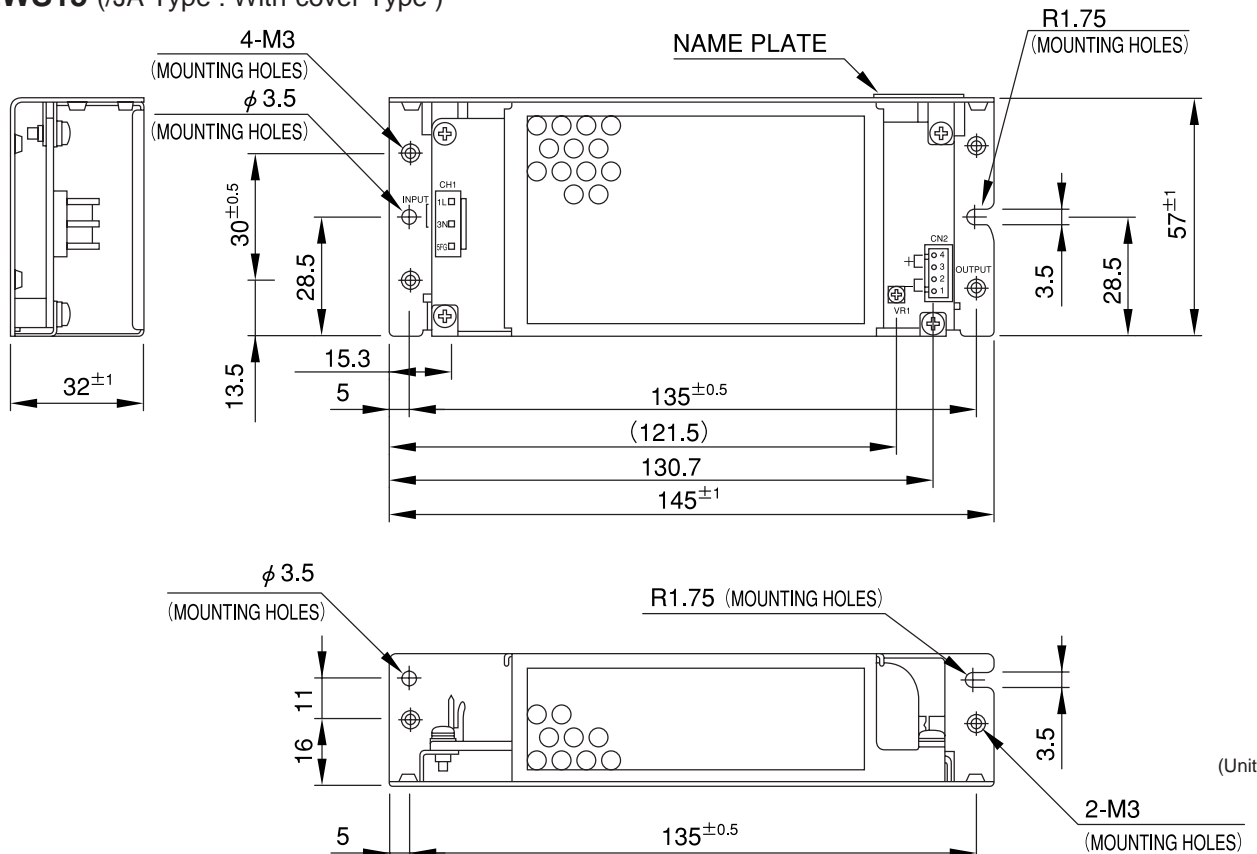
(Unit: mm)

ZWS15 (J Type : JST connector)



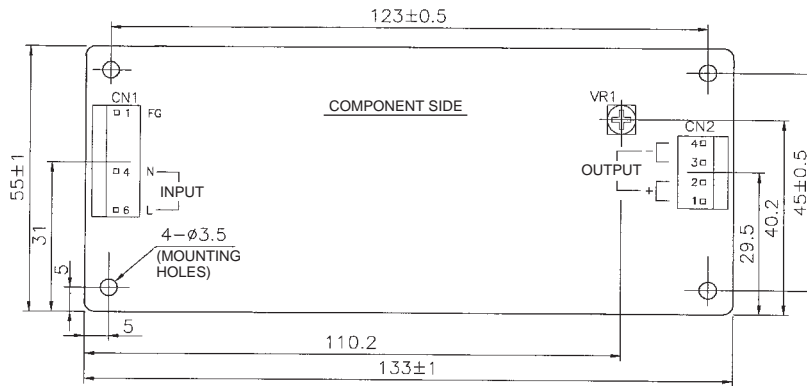
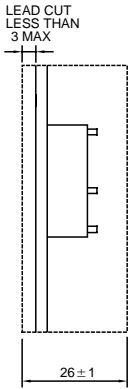
(Unit: mm)

ZWS15 (/JA Type : With-cover Type)



(Unit: mm)

ZWS30 (MOLEX connector)



● Recommended Noise Filter



GO!!
P134

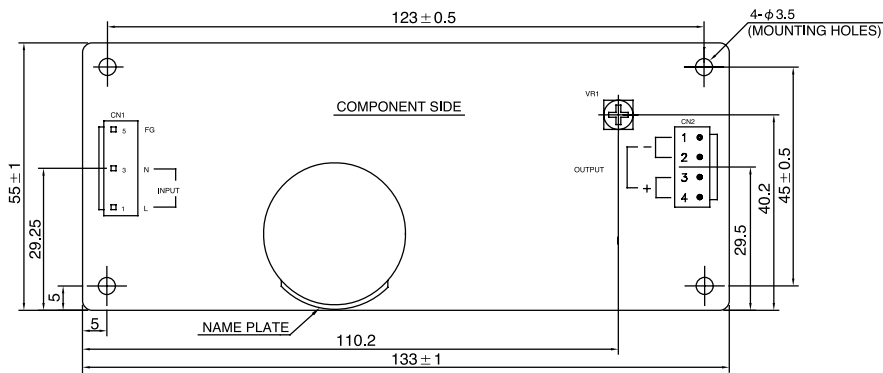
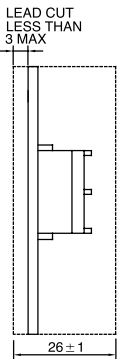
● Recommended Wire harness



GO!!
P209

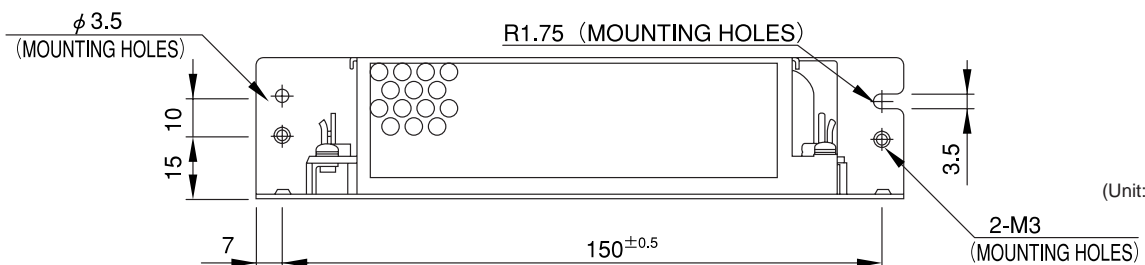
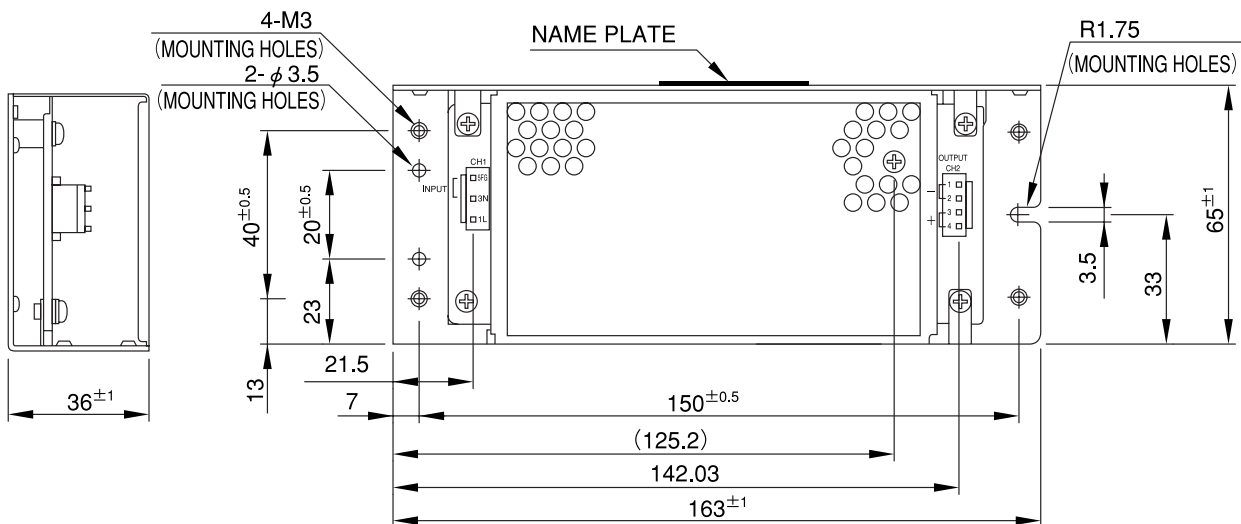
(Unit: mm)

ZWS30 (J Type : JST connector)



(Unit: mm)

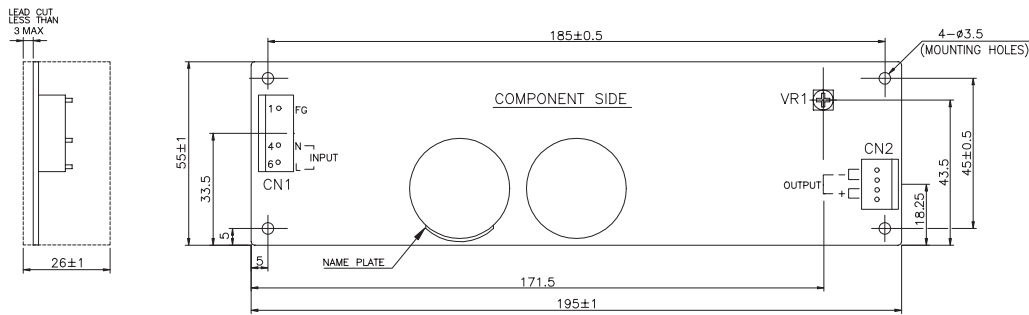
ZWS30 (/JA Type : With-cover Type)



(Unit: mm)

ZWS-SERIES

■ ZWS50 (MOLEX connector)



● Recommended Noise Filter

MAW-1202-22



P134

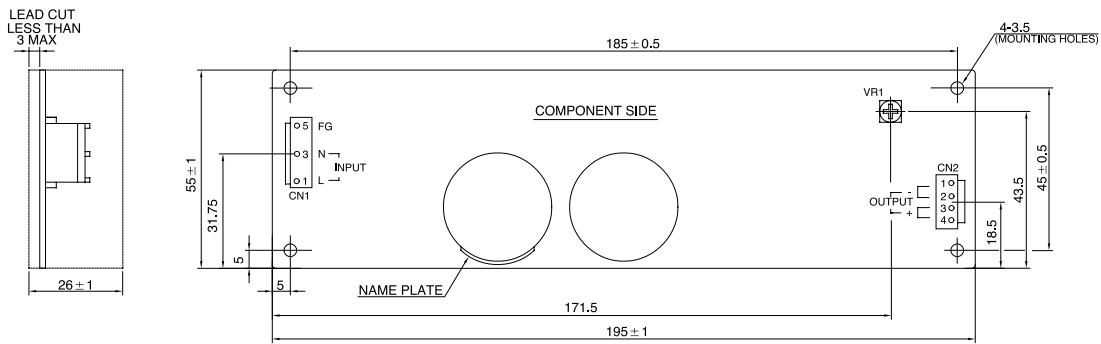
● Recommended Wire harness

P209



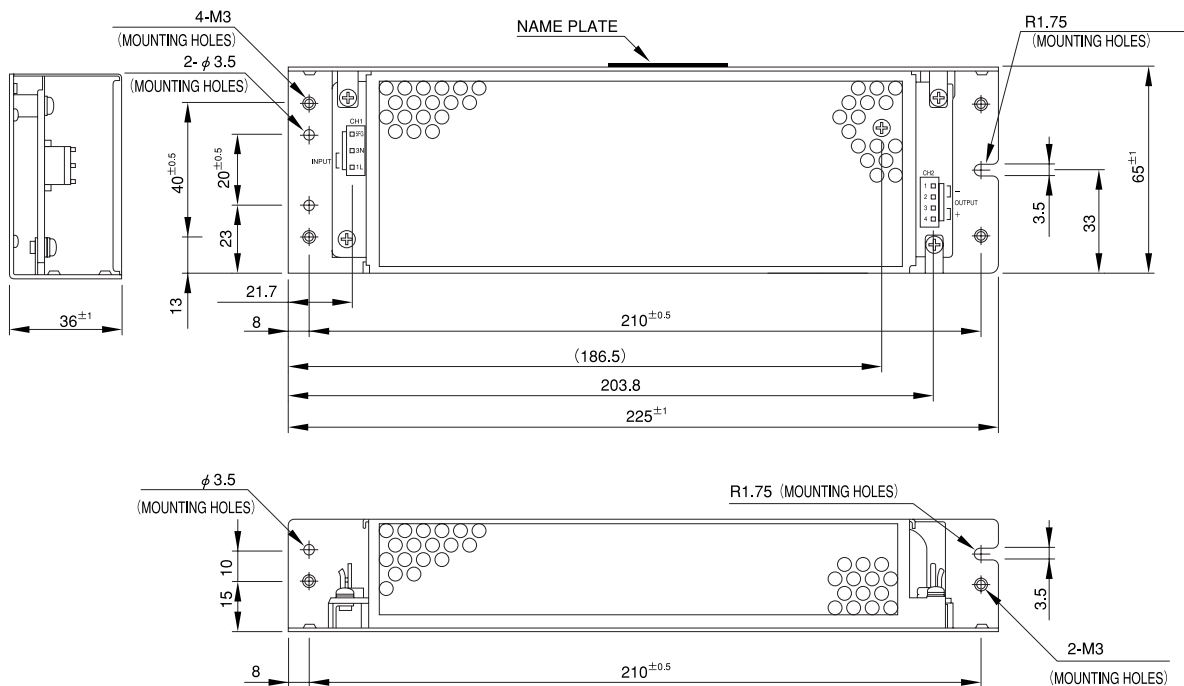
(Unit: mm)

■ ZWS50 (J Type : JST connector)



(Unit: mm)

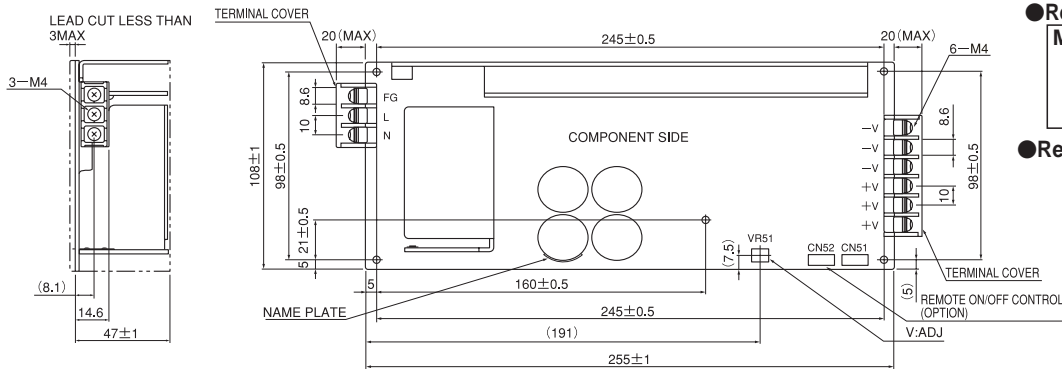
■ ZWS50 (/JA Type : With-cover Type)



(Unit: mm)

ZWS-SERIES

ZWS300-□ (Horizontal terminal type)



● Recommended Noise Filter

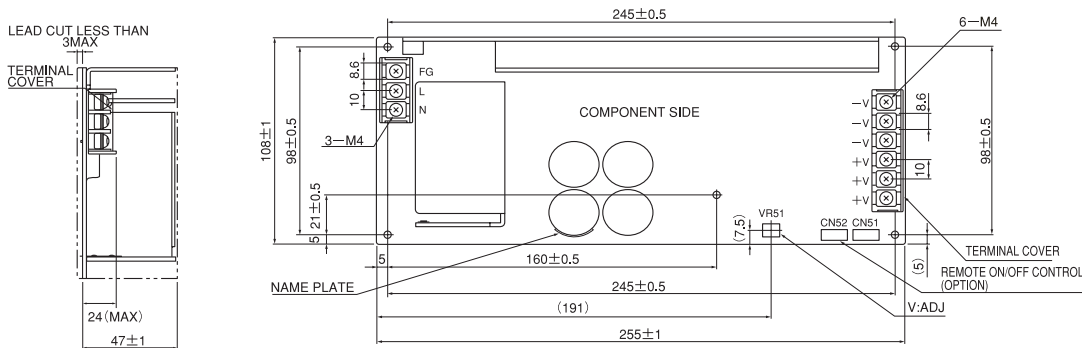


● Recommended Wire harness



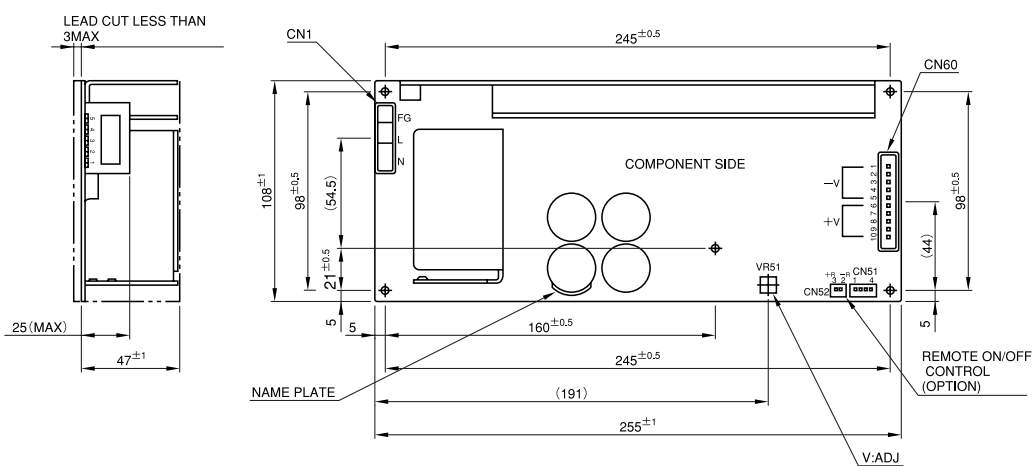
(Unit: mm)

ZWS300-□/T (Vertical terminal type)



(Unit: mm)

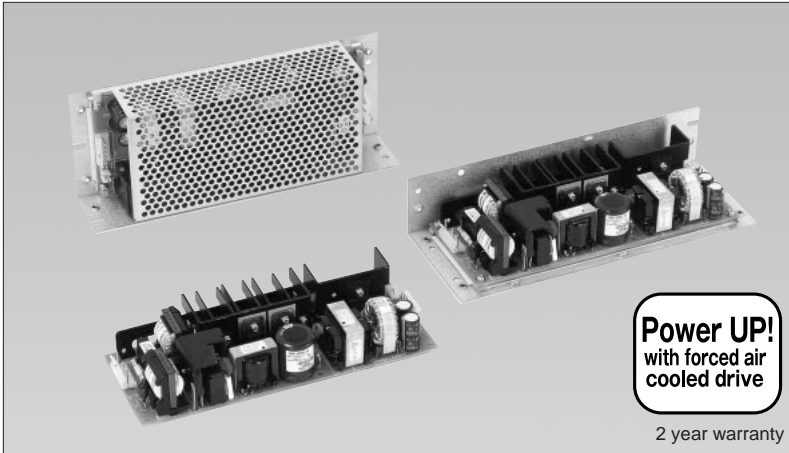
ZWS300-□/B (Input/Output connector terminal type {Only for 12V~48V output type})



(Unit: mm)

ZWS-PAF-SERIES

Single output 150W , 240W



Model name

ZWS 150PAF-24/

Series Name Output Wattage Rated Output Voltage Option

Features

- Harmonic correction (PFHC).
- Meets input requirement of the mechatronics industry: Applicable to DC24V pulse load.
- Ultra compact and high power: Capable of 200% of average wattage at the peak point.
- Wide input voltage range: Changeable with AC85 - 265V continuous input.
- Meets the harmonic correction requirements: Built-in active filter circuit included.
- Low leak current: Convenient for use in conjunction with power supplies together.
- Enriched options: Input/Output terminals and the case are selectable.
- 2 year warranty.

PC Board Type Power Supply

Specifications

1. Input voltage range	AC85 ~ 265V (47 - 63Hz.) or DC120~370V		
2. Max. output wattage (average)	Convection Cooling (*1)	ZWS150PAF-24: 24V 6.3A/151.2W, ZWS240PAF-24: 24V 10A/240W, ZWS150PAF-36: 36V 4.2A/151.2W, ZWS240PAF-36: 36V 6.7A/241.2W, ZWS150PAF-48: 48V 3.1A/148.8W, ZWS240PAF-48: 48V 5A/240W	
	Forced air cooling (*1)(*2)	ZWS150PAF-24: 24V 8.4A/201.6W, ZWS150PAF-36: 36V 5.6A/201.6W, ZWS150PAF-48: 48V 4.3A/206.4W, ZWS240PAF-24: 24V 12.5A/300W, ZWS240PAF-36: 36V 8.4A/302.4W, ZWS240PAF-48: 48V 6.3A/302.4W	
3. Rated output wattage (peak)	ZWS150PAF-24: 24V 12A/288W, ZWS150PAF-36: 36V 8A/288W, ZWS150PAF-48: 48V 6A/288W, ZWS240PAF-24: 24V 20A/480W, ZWS240PAF-36: 36V 13.3A/478.8W, ZWS240PAF-48: 48V 10A/480W		
4. Leakage current	0.5mA Max, 0.1mA(Typ) at 100VAC / 0.16mA(Typ) at 230VAC		
5. Cooling	Convection cooling		
6. Operating ambient temperature	- 10 ~ +60 °C (with temperature derating)		
7. Harmonic correction requirements	Conforms to EN61000-3-2 (Built-in active filter included)		
8. Immunity requirements	Conforms to EN61000-4-2,-3,-4,-5,-6,-8,-11		
9. EMI noise requirements	Conforms to EN55022-B, VCCI-B, FCC-B		
10. Safety standard	Approved by UL60950, CSA950 , EN60950 , marking applied		
11. Dimensions (W x H x D)	ZWS150PAF: 80mm x 40mm x 208mm (STD, /J type) ZWS240PAF: 95mm x 45mm x 222mm (STD, /J type)		

Note *1: Needs output derating according to the mounting directions or ambient temperature at convection air cooling.

*2: For forced air cooling, air current of 1.5m/s or higher applied to the circuit board is required.

*3: Please use with peak current operation of less than 10 seconds.

Product lineup

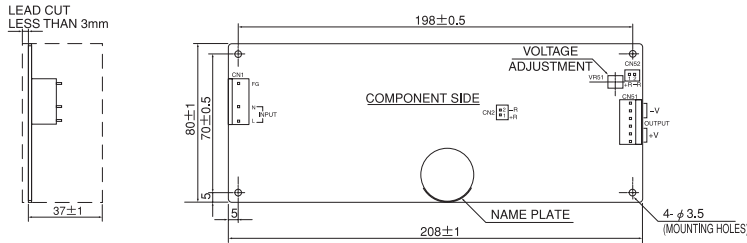
Model	Input and output style				Case style		UL	CSA	EN
	Connector		Terminal block		L-angle	Cover			
	Molex	JST	Horizontal	Vertical					
ZWS150PAF-24									
ZWS150PAF-24/L									
ZWS150PAF-24/A									
ZWS150PAF-24/J									
ZWS150PAF-24/JL									
ZWS150PAF-24/JA									
ZWS150PAF-24/T									
ZWS150PAF-24/TL									
ZWS150PAF-24/TA									
ZWS150PAF-24/S									
ZWS150PAF-24/SL									
ZWS150PAF-24/SA									
ZWS150PAF-36									
ZWS150PAF-36/L									
ZWS150PAF-36/A									
ZWS150PAF-36/J									
ZWS150PAF-36/JL									
ZWS150PAF-36/JA									
ZWS150PAF-36/T									
ZWS150PAF-36/TL									
ZWS150PAF-36/TA									
ZWS150PAF-36/S									
ZWS150PAF-36/SL									
ZWS150PAF-36/SA									
ZWS150PAF-48									
ZWS150PAF-48/L									
ZWS150PAF-48/A									
ZWS150PAF-48/J									
ZWS150PAF-48/JL									
ZWS150PAF-48/JA									
ZWS150PAF-48/T									
ZWS150PAF-48/TL									
ZWS150PAF-48/TA									
ZWS150PAF-48/S									
ZWS150PAF-48/SL									
ZWS150PAF-48/SA									

Model	Input and output style				Case style		UL	CSA	EN
	Connector		Terminal block		L-angle	Cover			
	Molex	JST	Horizontal	Vertical					
ZWS240PAF-24									
ZWS240PAF-24/L									
ZWS240PAF-24/A									
ZWS240PAF-24/J									
ZWS240PAF-24/JL									
ZWS240PAF-24/JA									
ZWS240PAF-24/T									
ZWS240PAF-24/TL									
ZWS240PAF-24/TA									
ZWS240PAF-24/S									
ZWS240PAF-24/SL									
ZWS240PAF-24/SA									
ZWS240PAF-36									
ZWS240PAF-36/L									
ZWS240PAF-36/A									
ZWS240PAF-36/J									
ZWS240PAF-36/JL									
ZWS240PAF-36/JA									
ZWS240PAF-36/T									
ZWS240PAF-36/TL									
ZWS240PAF-36/TA									
ZWS240PAF-36/S									
ZWS240PAF-36/SL									
ZWS240PAF-36/SA									
ZWS240PAF-48									
ZWS240PAF-48/L									
ZWS240PAF-48/A									
ZWS240PAF-48/J									
ZWS240PAF-48/JL									
ZWS240PAF-48/JA									
ZWS240PAF-48/T									
ZWS240PAF-48/TL									
ZWS240PAF-48/TA									
ZWS240PAF-48/S									
ZWS240PAF-48/SL									
ZWS240PAF-48/SA									

○ : Safety standard approved

ZWS-PAF-SERIES

■ ZWS150PAF (MOLEX connector type), /J (JST connector type)



● Recommended Noise Filter

MAW-1202-22



GO!!

P134

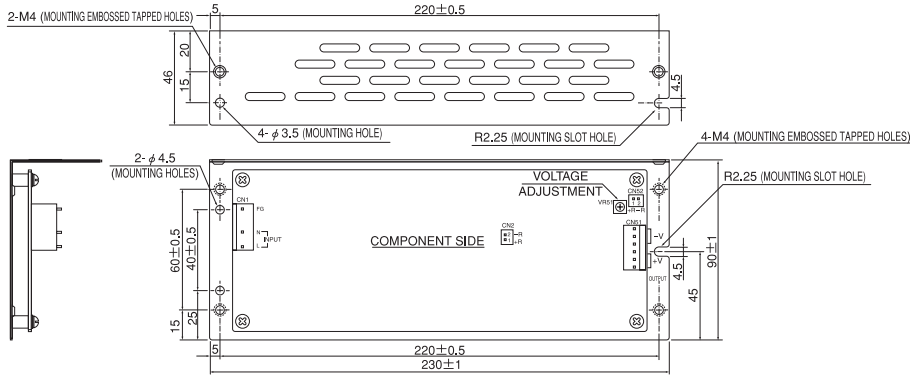
● Recommended Wire harness

GO!!

P209

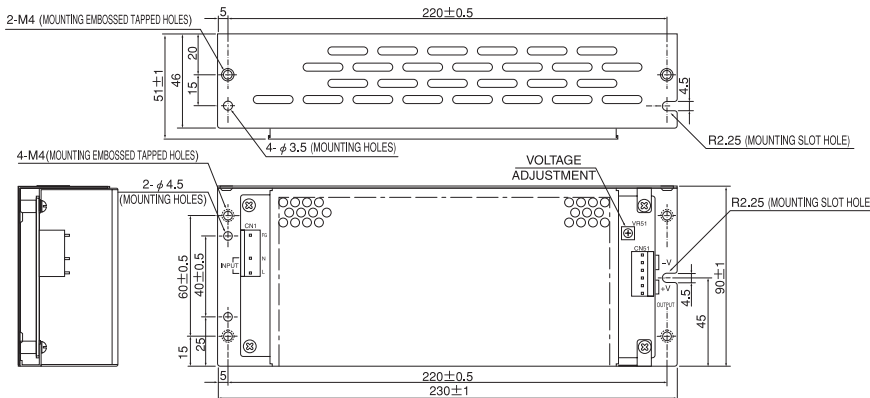
(Unit: mm)

■ ZWS150PAF/L (Molex connector, with L-angle type), /JL (JST connector, with L-angle type)



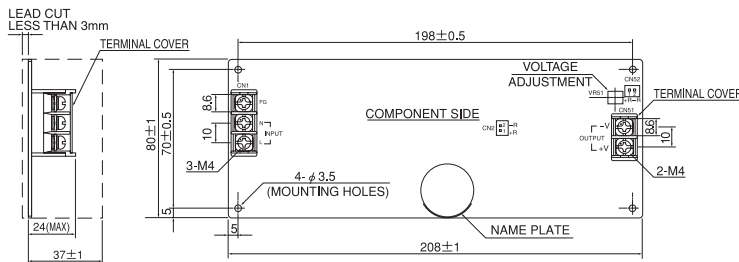
(Unit: mm)

■ ZWS150PAF/A (Molex connector, with Cover type), /JA (JST connector, with Cover type)



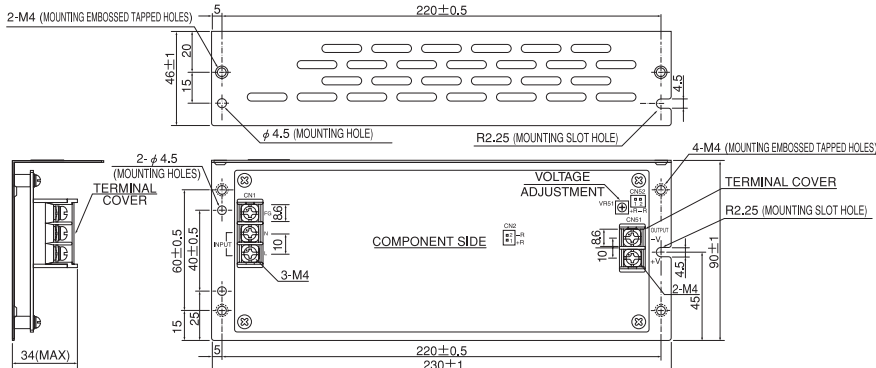
(Unit: mm)

■ ZWS150PAF/T (Vertical terminal type)



(Unit: mm)

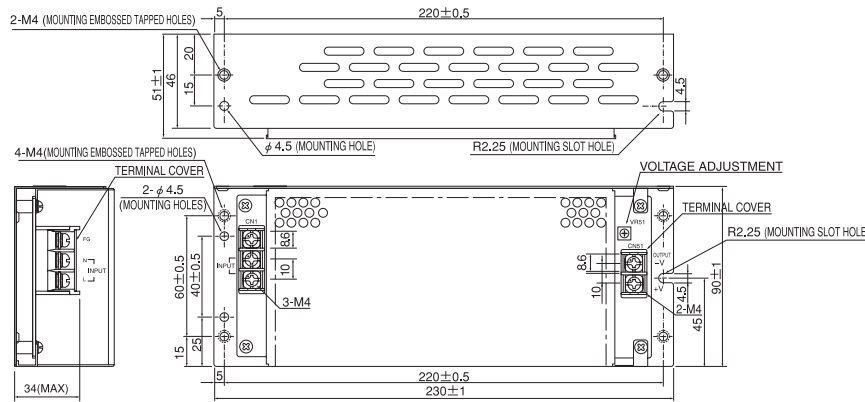
■ ZWS150PAF/TL (Vertical terminal, with L-angle type)



(Unit: mm)

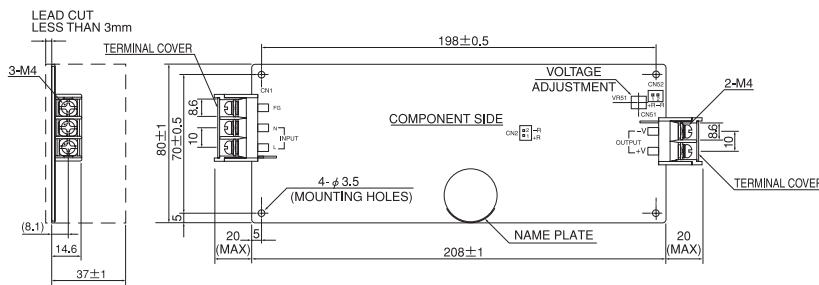
ZWS-PAF-SERIES

■ ZWS150PAF/TA (Vertical terminal, with Cover type)



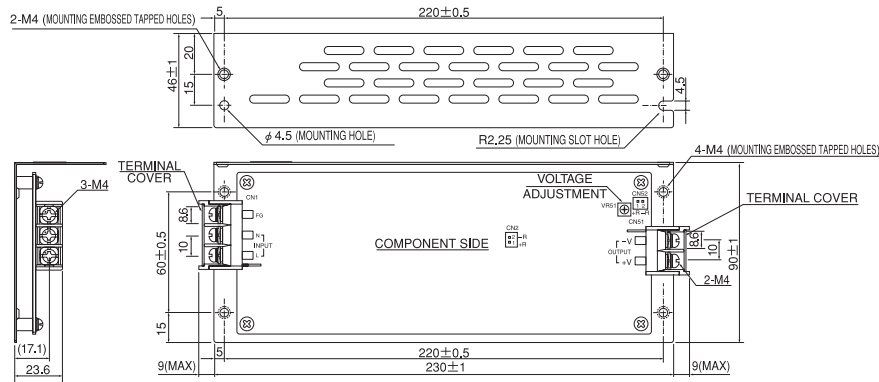
(Unit: mm)

■ ZWS150PAF/S (Horizontal terminal type)



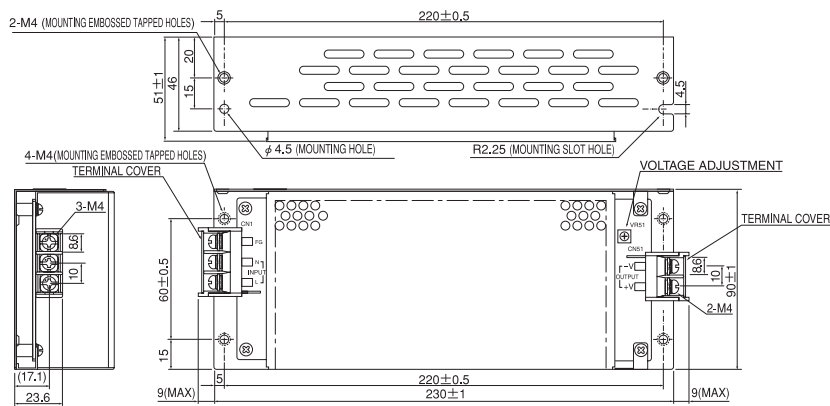
(Unit: mm)

■ ZWS150PAF/SL (Horizontal terminal, with L-angle type)



(Unit: mm)

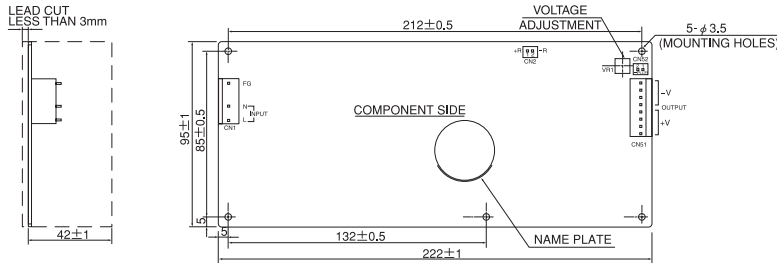
■ ZWS150PAF/SA (Horizontal terminal, with Cover type)



(Unit: mm)

ZWS-PAF-SERIES

■ ZWS240PAF (MOLEX connector type), /J (JST connector type)



● Recommended Noise Filter

MAW-1202-22



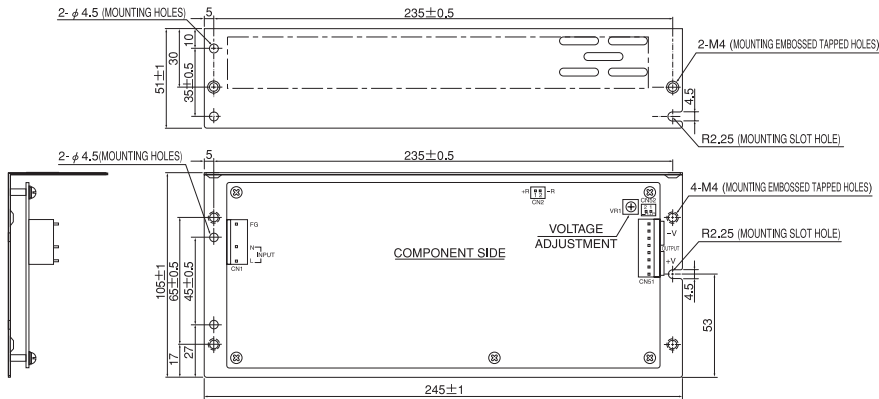
GO!!
P134

● Recommended Wire harness

GO!!
P209

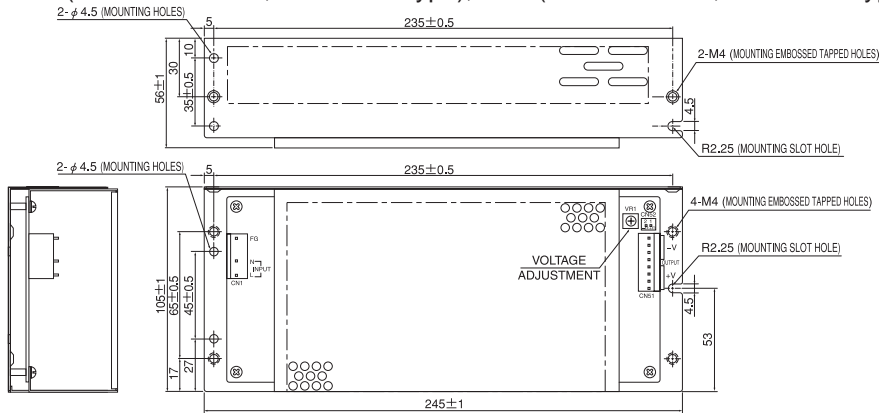
(Unit: mm)

■ ZWS240PAF/L (Molex connector, with L-angle type), /JL (JST connector, with L-angle type)



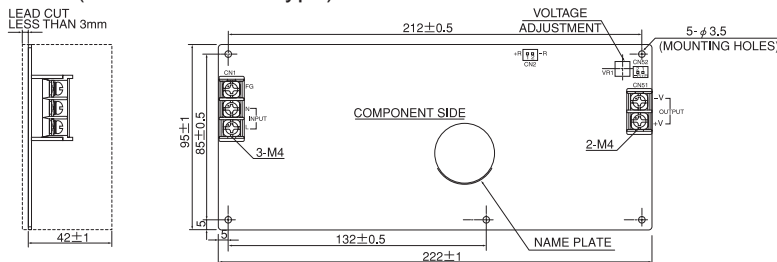
(Unit: mm)

■ ZWS240PAF/A (Molex connector, with Cover type), /JA (JST connector, with Cover type)



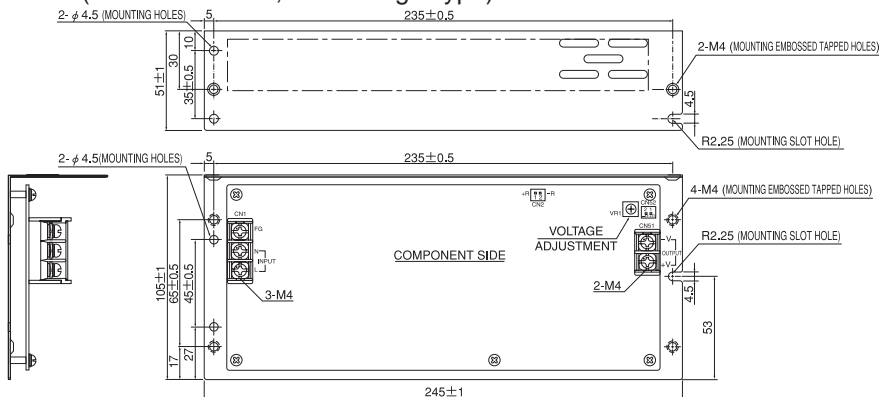
(Unit: mm)

■ ZWS240PAF/T (Vertical terminal type)



(Unit: mm)

■ ZWS240PAF/TL (Vertical terminal, with L-angle type)

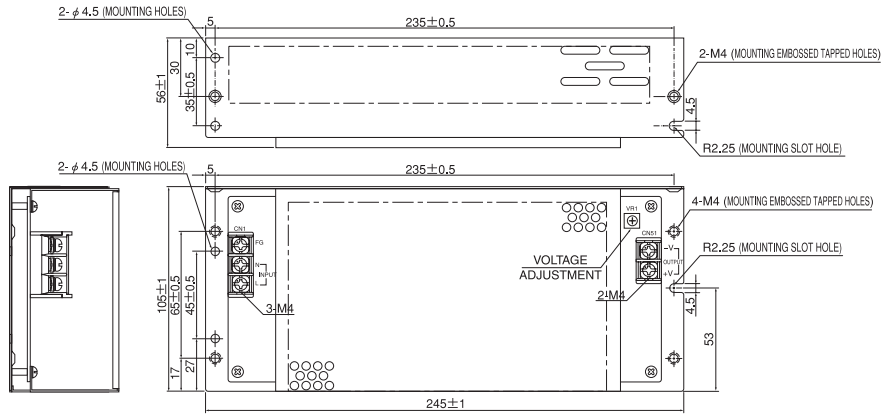


(Unit: mm)

PC Board Type Power Supply

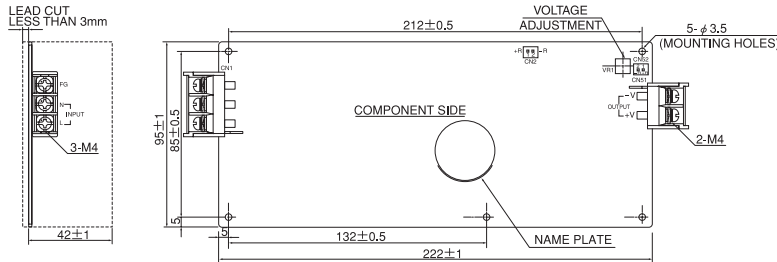
ZWS-PAF-SERIES

■ ZWS240PAF/TA (Vertical terminal, with Cover type)



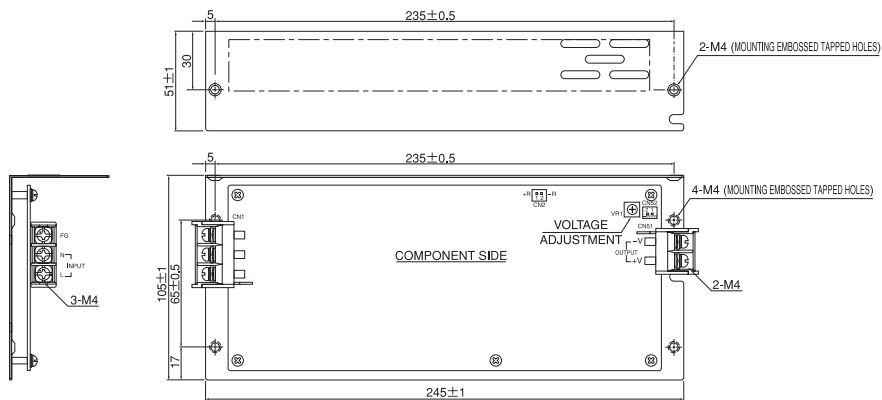
(Unit: mm)

■ ZWS240PAF/S (Horizontal terminal type)



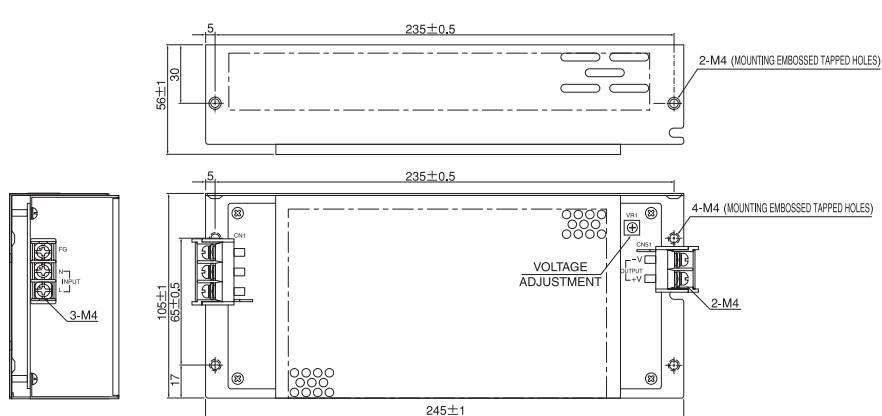
(Unit: mm)

■ ZWS240PAF/SL (Horizontal terminal, with L-angle type)



(Unit: mm)

■ ZWS240PAF/SA (Horizontal terminal, with Cover type)



(Unit: mm)