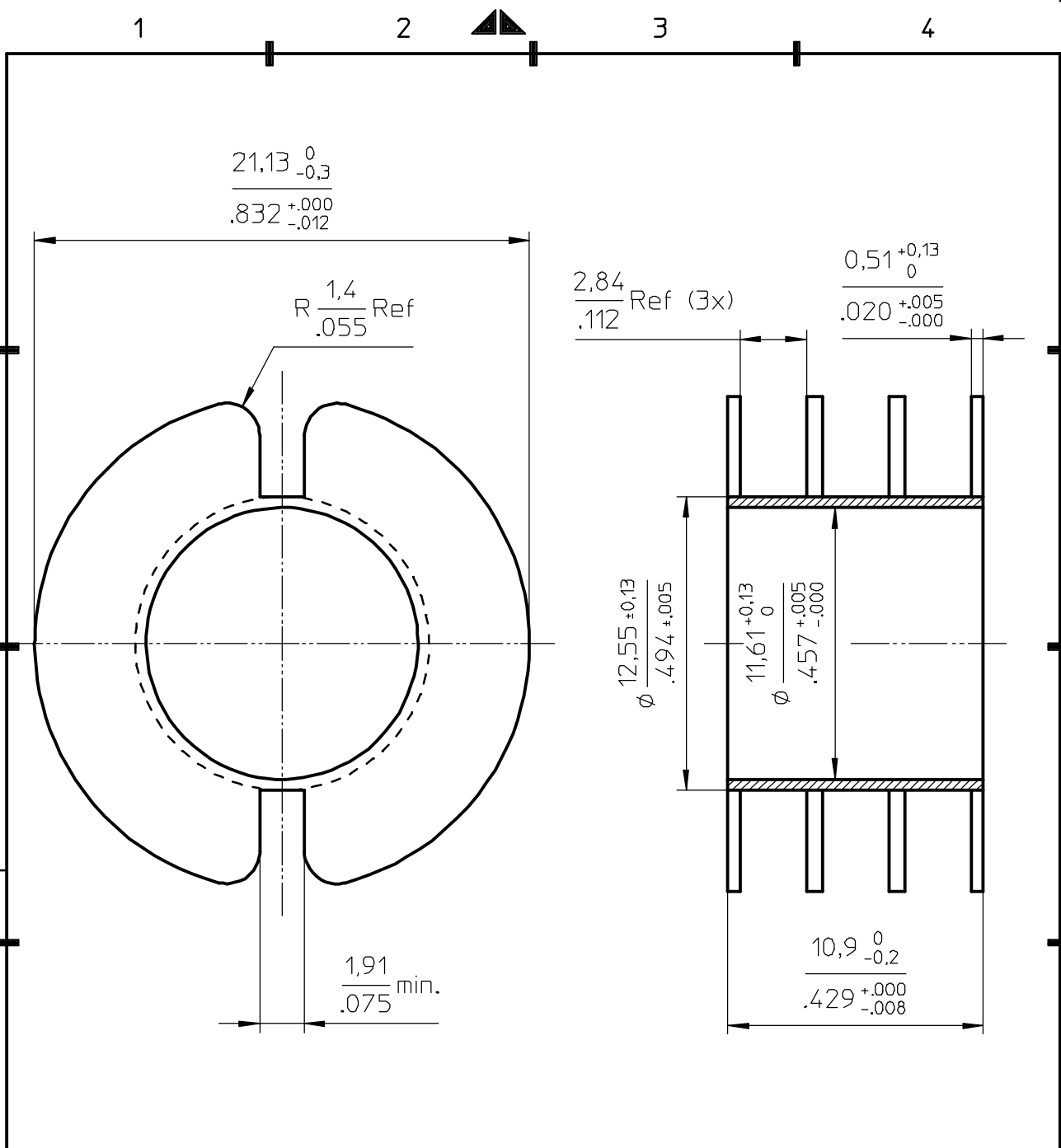
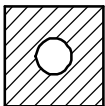
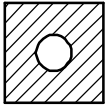


FERROXCUBE



Coil former material: Delrin 900 (POM).
 UL file number: E66288 - UL94HB.

CP-P26/16-3S-A

4335 000 26221

01-06-01
 02-11-04

NAME NAAM	JON	SUPERS. VERV	1	SH BL	SH BL	112 - 001	01-06-01	02-11-04	A4
MPA	CHECK CONTR.	DAT.	Property of Eigendom van		© FERROXCUBE 2002				