

PLEASE CHECK WWW.MOLEX.COM FOR LATEST PART INFORMATION

Part Number: **0191930143**
Status: **Active**
Description: VersaKrimp™ Ring Tongue Terminal for 8 AWG Wire, Stud Size 6

Documents:

[Drawing \(PDF\)](#) [RoHS Certificate of Compliance \(PDF\)](#)

Agency Certification

CSA LR18689
 UL E32244

General

Product Family Ring and Spade Terminals
 Series [19193](#)
 Crimp Quality Equipment Yes
 Mil-Spec N/A
 Product Name VersaKrimp™
 Type Ring

Physical

Barrel Type Closed - Brazed
 Insulation None
 Material - Plating Mating Tin
 Packaging Type Bag
 Stud Size 6 (M3.5)
 Termination Interface: Style Crimp or Compression
 Wire Size AWG 8
 Wire Size mm² 6.60 - 10.5

Material Info

Old Part Number D-350-06

Reference - Drawing Numbers

Sales Drawing SD-19193-016



EU RoHS

ELV and RoHS Compliant
REACH SVHC Contains SVHC: No
Halogen-Free Status
Not Reviewed

China RoHS



Need more information on product environmental compliance?

Email productcompliance@molex.com
 For a multiple part number RoHS Certificate of Compliance, [click here](#)

Please visit the [Contact Us](#) section for any non-product compliance questions.

Search Parts in this Series

[19193Series](#)

Application Tooling | [FAQ](#)

Tooling specifications and manuals are found by selecting the products below. Crimp Height Specifications are then contained in the Application Tooling Specification document.

Global

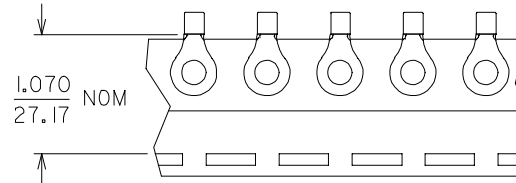
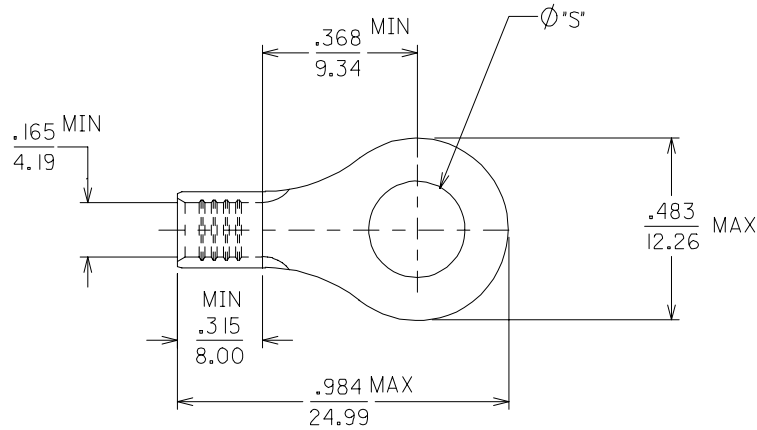
Description	Product #
Manual Putt Pump Hydraulic System, Die set required	0192860117
Die Set (large) for the HHLS Hydraulic Crimper	0192900001
Crimp Head for the AT-200™ Pneumatic Hand Tool	0640074400
Putt Pump Dieless Head System	0192860065

This document was generated on 03/24/2010

PLEASE CHECK WWW.MOLEX.COM FOR LATEST PART INFORMATION

MATERIAL NUMBER	ALTERNATE NUMBER	Ø" S"	PACKAGING
191930143	D-350-06	.146	LOOSE PIECE
191930146	D-350-08	.173	
191930149	D-350-10	.198	
191930152	D-350-14	.265	
191930157	D-350-56	.328	
191930145	D-350-06T	.146	TAPE PARTS
191930148	D-350-08T	.173	
191930151	D-350-10T	.198	
191930155	D-350-14T	.265	
191930158	D-350-56T	.328	

(B)



- (B) 1. MATERIAL: TERMINAL: COPPER
.045/1.14 THICK REF.
PLATING: ELECTRO TIN
- (B) 2. ALL DIMENSIONS = INCHES / MM
- (B) 3. PART IS ROHS COMPLIANT.

REDRAWN & REVISED
 EC NO: ETC2007-0019
 DRW: NEHLE 2007/08/22
 CHKD: JMACNEIL 2007/09/11
 APPR: JMACNEIL 2007/09/19

QUALITY SYMBOLS
 ▽=0
 ▽=0
 DESCRIPTION
 REV

	GENERAL TOLERANCES (UNLESS SPECIFIED)	
	MM	INCH
4 PLACES	± .005	± .0005
3 PLACES	± .010	± .0010
2 PLACES	± 0.13	± .01
1 PLACE	± 0.25	± .01
ANGULAR		± 1/2°

DRAFT WHERE APPLICABLE
MUST REMAIN WITHIN DIMENSIONS

DIMENSION STYLE	
IN	MM
DRAWN BY	DATE
EDB	2001/01/23
CHECKED BY	DATE
HEB	2001/01/23
APPROVED BY	DATE
RWD	2001/01/23

SCALE	DESIGN UNITS	THIRD ANGLE PROJECTION
4:1	INCH	☉
RING TONGUE TERMINAL, 8 AWG		
MOLEX INCORPORATED		
MATERIAL NO.	DOCUMENT NO.	SHEET NO.
SEE CHART	SD-19193-016	1 OF 1
THIS DRAWING CONTAINS INFORMATION THAT IS PROPRIETARY TO MOLEX INCORPORATED AND SHOULD NOT BE USED WITHOUT WRITTEN PERMISSION		