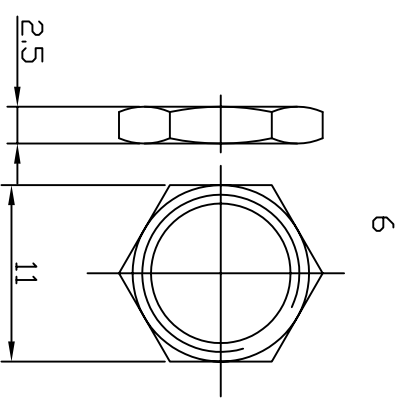
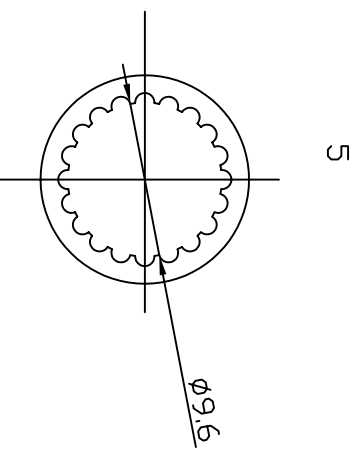
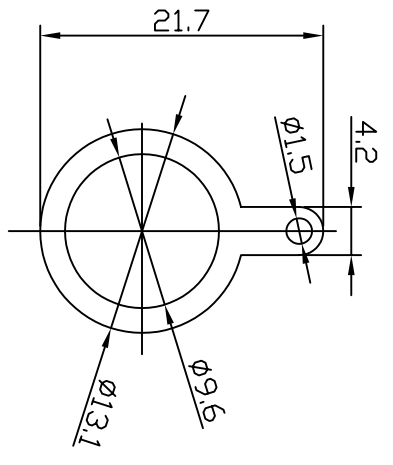
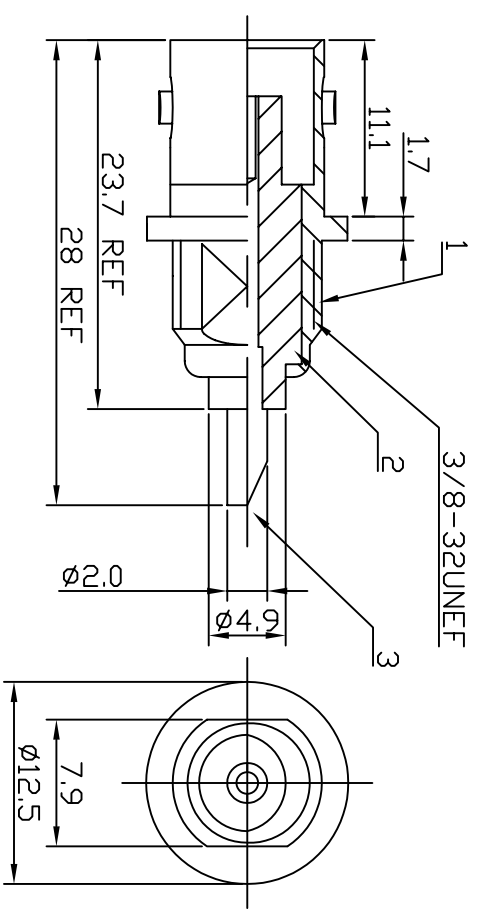


APPROVED: _____
 DATE: _____ TITLE: _____

Rev	AWO #	Description	Date	Appr
-		RELEASED	02/16/05	
A		ADDED ROHS TO SPECIFICATIONS	03/14/05	



NO	DESCRIPTION	MATERIAL	FINISH	QTY
6	NUT	BRASS	NICKEL	1
5	WASHER	BRASS	NICKEL	1
4	GROUND LUG	BRASS	NICKEL	1
3	CENTER CONTACT	PHOSPHDR	GOLD	1
2	INSULATOR	TEFLON	WHITE	1
1	BDDY	ZINC	NICKEL	1

SPECIFICATIONS:
 Environmental:
 Lead free, RoHS compliant.
 Recommended soldering temp: 230° for 5 sec.



UNLESS OTHERWISE SPECIFIED
 ALL DIMENSIONS ARE MM [INCHES]
 TOLERANCES: EXCEPT AS NOTED

INCHES	HOLDERS
.X ± .10	ØX ± .10
.XX ± .020	ØXX ± .015
.XXX ± .015	ØXXX ± .010

APPROVALS

DATE	DATE
SLS	02/16/05

ADAM TECH
 909 Rahway Avenue, Union, NJ 07083
 Phone: 908-687-5000 Fax: 908-687-0214

TITLE: RF CONNECTOR, TYPE BNC, TEFLIN, 50 OHM, BULKHEAD

SIZE	PART NO.	REV.
X	RF1-23-T-XX-50	A

SCALE: NTS SHEET 1 OF 1