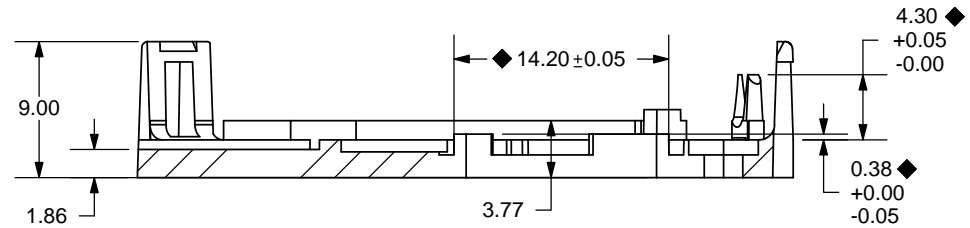
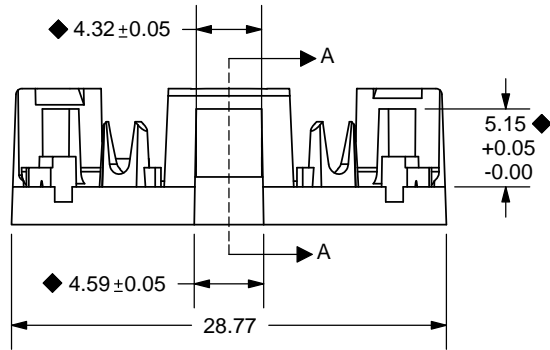
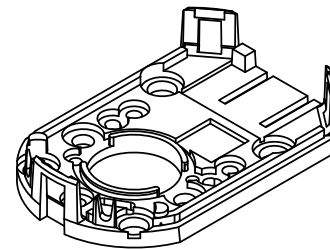
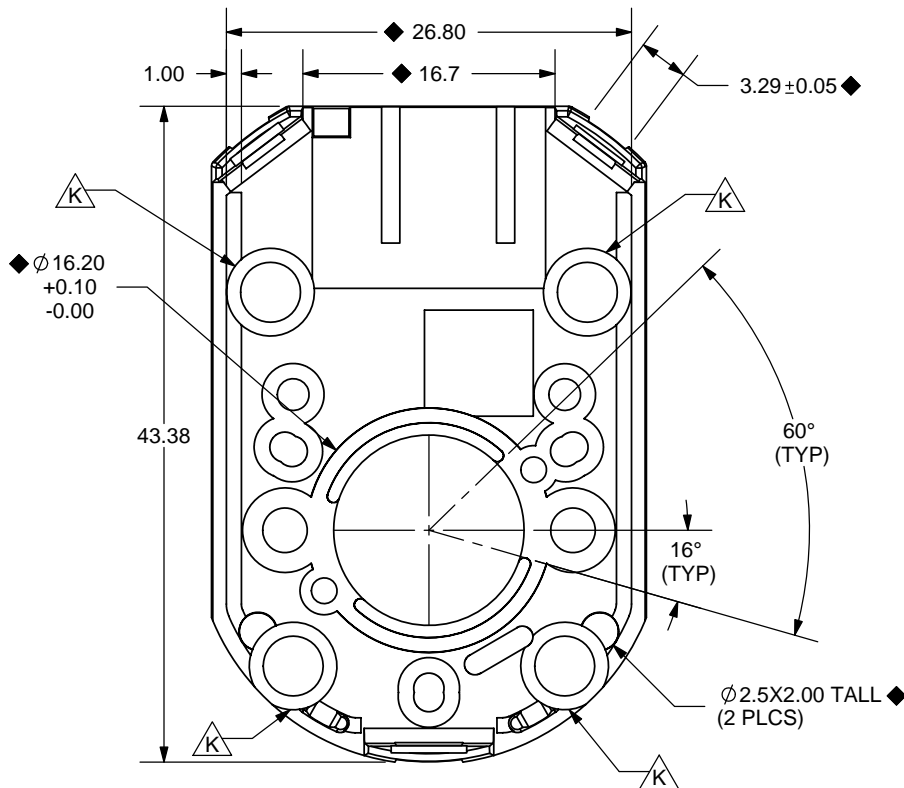


REV.	DESCRIPTION	DATE
F	Hole diameter increased to 2.95 from 2.87	1/23/2006
G	Receiver hold down post increased to 4.30 from 4.15	3/22/2006
H	Hole diameter decreased to 12.1 from 12.4	4/3/2006
J	Hole diameter increased to 12.6, flange modified	10/24/2006
K	Mounting holes changed to $\varnothing 3.96$ THRU ALL, $\varnothing 5.79$ $\nabla 1.02$	9/4/2015



SECTION A-A



SCALE 1:1

SEE PAGE 2 FOR HOLE LAYOUT

NOTES:
◆ CRITICAL DIMENSIONS FOR INSPECTION

DRAFTS ACCORDING TO 3D CAD MODEL

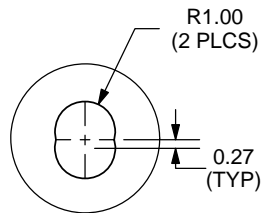
TOLERANCE: ±0.1mm UNLESS NOTED



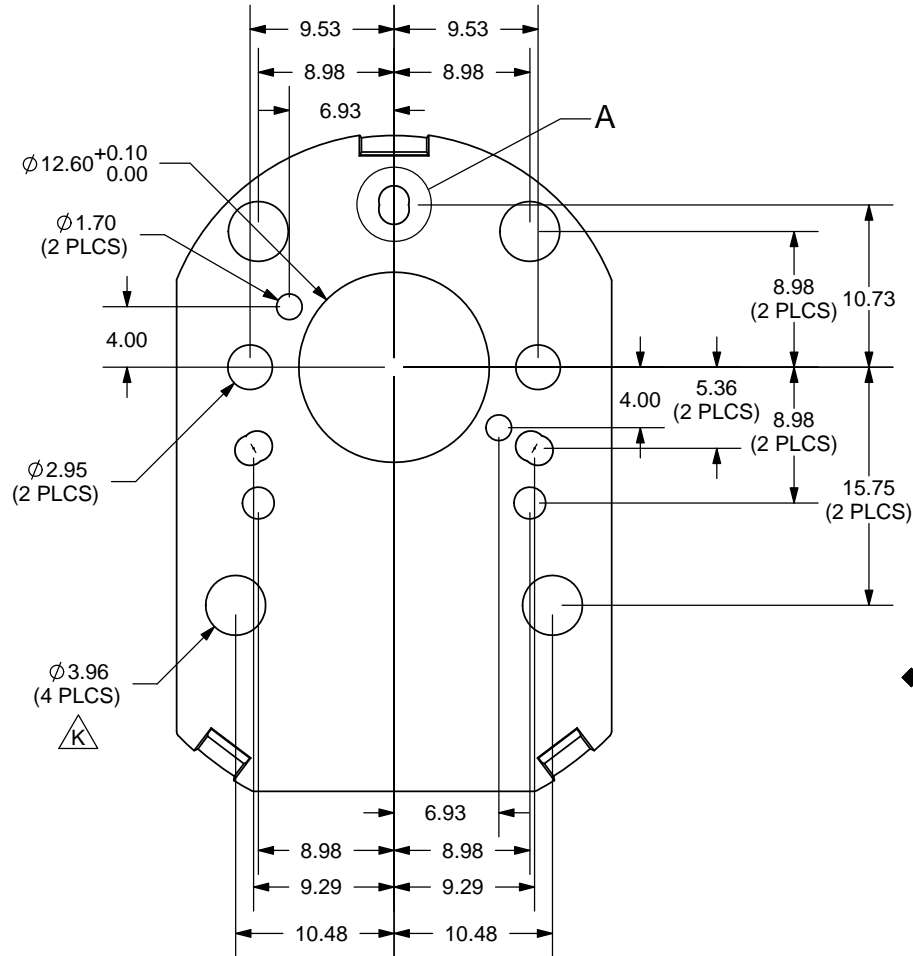
20050 SW 112th Ave.
Tualatin, OR 97062
Phone: 503-612-2300
800-275-4899
Fax: 503-612-2383
Website: www.cui.com

TITLE: AMT 102 BASE		REV: K
PART NO. 1245-0003R		UNITS: MM [INCHES]
DRAWN BY: RDS	APPROVED BY:	SCALE: 2:1

REV.	DESCRIPTION	DATE
F	Hole diameter increased to 2.95 from 2.87	1/23/2006
G	Receiver hold down post increased to 4.30 from 4.15	3/22/2006
H	Hole diameter decreased to 12.1 from 12.4	4/3/2006
J	Hole diameter increased to 12.6, flange modified	10/24/2006
K	Mounting holes changed to $\varnothing 3.96$ THRU ALL, $\varnothing 5.79 \nabla 1.02$	9/4/2015



DETAIL A
SCALE 4 : 1



NOTES:
♦ CRITICAL DIMENSIONS FOR INSPECTION

DRAFTS ACCORDING TO 3D CAD MODEL

TOLERANCE: $\pm 0.1\text{mm}$ UNLESS NOTED



20050 SW 112th Ave.
Tualatin, OR 97062
Phone: 503-612-2300
800-275-4899
Fax: 503-612-2383
Website: www.cui.com

TITLE: AMT 102 BASE, SHEET 2, HOLE LAYOUT		REV: K
PART NO: 1245-0003R	UNITS: MM [INCHES]	
DRAWN BY: RDS	APPROVED BY:	SCALE: 2:1