

**PLEASE CHECK WWW.MOLEX.COM FOR LATEST PART INFORMATION**

**Part Number:** [0250020802](#)  
**Status:** **Active**  
**Overview:** ribbon\_cable\_jumpers  
**Description:** 2.54mm (.100") Pitch Board-to-Board Ribbon Cable Jumper - 24 AWG, Stranded Topcoat, 8 Circuits, Strip and Retain, 0.057 (2.25") Length

**Documents:**

[Drawing \(PDF\)](#) [RoHS Certificate of Compliance \(PDF\)](#)

**General**

|                         |                                      |
|-------------------------|--------------------------------------|
| Product Family          | Cable                                |
| Series                  | <a href="#">25002</a>                |
| Crimp Quality Equipment | Yes                                  |
| Geographic Area         | Asia                                 |
| Overview                | <a href="#">ribbon_cable_jumpers</a> |
| Product Name            | Ribbon                               |

**Physical**

|                               |                          |
|-------------------------------|--------------------------|
| Cable Length                  | 0.057m (2.25")           |
| Circuits (Loaded)             | 8                        |
| Circuits (maximum)            | 8                        |
| Insulation                    | PVC                      |
| Packaging Type                | Bag                      |
| Pitch - Term. Interface (in)  | 0.100 In                 |
| Pitch - Term. Interface (mm)  | 2.54 mm                  |
| Temperature Range - Operating | -20°C to +105°C          |
| Wire Size AWG                 | 24                       |
| Wire/Cable Type               | (7x32) Stranded, Topcoat |

**Electrical**

|                               |      |
|-------------------------------|------|
| Current - Maximum per Contact | N/A  |
| Voltage - Maximum             | 300V |

**Material Info**

**Reference - Drawing Numbers**

|               |              |
|---------------|--------------|
| Sales Drawing | SD-25002-001 |
|---------------|--------------|



**EU RoHS**

**ELV and RoHS  
Compliant**  
**REACH SVHC  
Not Reviewed**  
**Halogen-Free  
Status**

**China RoHS**



**Need more information on product  
environmental compliance?**

Email [productcompliance@molex.com](mailto:productcompliance@molex.com)  
 For a multiple part number RoHS Certificate of Compliance, [click here](#)

Please visit the [Contact Us](#) section for any non-product compliance questions.

**Search Parts in this Series**  
[25002Series](#)

**CABLE SPECIFICATIONS:**

**1.- STANDARD JUMPER SERIES #25002 (8997 CABLE, .125" S/R BOTH ENDS)**

**2.- PHYSICAL**

CONDUCTOR SPACING ----- .100" (2.54mm)  $\phi$  TO  $\phi$   
 WIRE GAUGE ----- 24 AWG (7/32), TOPCOAT  
 INSULATION ----- GRAY PVC  
 EDGE MARK COLOR ----- RED

**3.- AGENCY**

U.L. STYLE ----- 2651  
 TEMPERATURE RATING ----- -20 °C TO 105 °C  
 VOLTAGE RATING ----- 300V. MAX.  
 FLAMMABILITY RATING ----- VW-1

**4.- SPECIAL REQUIREMENT**

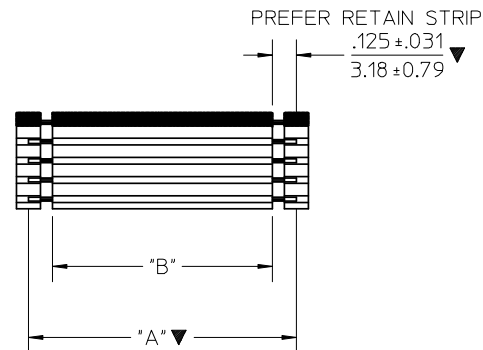
RoHS AND LEAD FREE COMPLIANT  
 NO TEXT MARKING ON PCB

**5.- GENERAL**

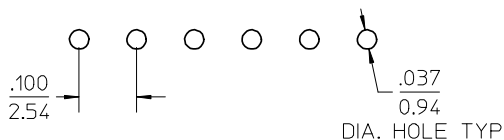
NON-OPERATING TEMPERATURE ----- -20°C TO 105°C

**6.- SOLDERING CONDITION**

SOLDER TEMPERATURE ----- 260°C. MAX.  $\triangle B_1$   
 SOLDERING TIME ----- 3 SECONDS. MAX.  
 INSULATION SHRINK ----- 2MM. NOM

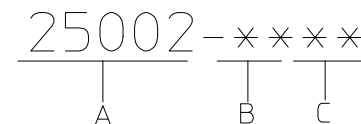


**PCB HOLE LAYOUT**  
 RECOMMENDED HOLE DIA. .037 In.



OVERALL LENGTH ("A")  
 TOLERANCE FOR OAL +/- .100"  
 INSULATION LENGTH ("B" REF.)  
 DIMS "A" & "B" REFERS TO  
 SHOWN IN MATRIX.

| MATRIX FOR STANDARD JUMPERS SERIES # 25002 (8997 CABLE .125" S/R BOTH ENDS) |            |            |            |            |            |            |            |            |
|---|------------|------------|------------|------------|------------|------------|------------|------------|
| LENGTH "A"<br>(±.100")  | 1.250"     | 2.250"     | 3.250"     | 4.250"     | 5.250"     | 6.250"     | 7.250"     | 8.250"     |
| LENGTH "B"<br>CIRCUITS (REF)  | 1.000"     | 2.000"     | 3.000"     | 4.000"     | 5.000"     | 6.000"     | 7.000"     | 8.000"     |
| 2   | 25002-0201 | 25002-0202 | 25002-0203 | 25002-0204 | 25002-0205 | 25002-0206 | 25002-0207 | 25002-0208 |
| 3   | 25002-0301 | 25002-0302 | 25002-0303 | 25002-0304 | 25002-0305 | 25002-0306 | 25002-0307 | 25002-0308 |
| 4   | 25002-0401 | 25002-0402 | 25002-0403 | 25002-0404 | 25002-0405 | 25002-0406 | 25002-0407 | 25002-0408 |
| 5   | 25002-0501 | 25002-0502 | 25002-0503 | 25002-0504 | 25002-0505 | 25002-0506 | 25002-0507 | 25002-0508 |
| 6   | 25002-0601 | 25002-0602 | 25002-0603 | 25002-0604 | 25002-0605 | 25002-0606 | 25002-0607 | 25002-0608 |
| 7   | 25002-0701 | 25002-0702 | 25002-0703 | 25002-0704 | 25002-0705 | 25002-0706 | 25002-0707 | 25002-0708 |
| 8   | 25002-0801 | 25002-0802 | 25002-0803 | 25002-0804 | 25002-0805 | 25002-0806 | 25002-0807 | 25002-0808 |
| 9   | 25002-0901 | 25002-0902 | 25002-0903 | 25002-0904 | 25002-0905 | 25002-0906 | 25002-0907 | 25002-0908 |
| 10  | 25002-1001 | 25002-1002 | 25002-1003 | 25002-1004 | 25002-1005 | 25002-1006 | 25002-1007 | 25002-1008 |



A = STD. JUMPER I.D. No  
 B = CIRCUIT SIZE  
 2 THRU 10  
 C = DENOTES LENGTH  
 1.000" TO 8.000"

|  |   |   |   |  |  |   |  |           |  |
|--|---|---|---|--|--|---|--|-----------|--|
| SEE CHANGE DETAIL<br>EC NO: THL2008-0019<br>DRWN: CPANSAKHOM 2007/12/07<br>CHKD: NCHALERM 2007/12/11<br>APPR: SVIRATJAPOL 2007/12/20 | QUALITY SYMBOLS<br>$\nabla = 3$<br>$\nabla = 0$ | GENERAL TOLERANCES (UNLESS SPECIFIED)<br>mm INCH<br>4 PLACES ± --- ± ---<br>3 PLACES ± --- ± ---<br>2 PLACES ± --- ± ---<br>1 PLACE ± --- ± ---<br>ANGULAR ± ---° | DIMENSION STYLE<br>IN/MM<br>DRAWN BY CPANSAKHOM DATE 2006/06/01<br>CHECKED BY PREECHAI DATE 2006/06/01<br>APPROVED BY SVIRATJAPOL DATE 2006/06/01 | SCALE<br>NTS<br>TITLE<br>STANDARD JUMPER<br>.100" CTRS PVC INSULATED<br>24 AWG TOPCOATED | DESIGN UNITS<br>INCH<br>THIRD ANGLE PROJECTION | MOLEX INCORPORATED<br>DOCUMENT NO. SD-25002-001<br>SHEET NO. 1 OF 1 |  |           |  |
|  |   |   |   |  |  |   | DRAFT WHERE APPLICABLE<br>MUST REMAIN<br>WITHIN DIMENSIONS | SEE CHART | THIS DRAWING CONTAINS INFORMATION THAT IS PROPRIETARY TO MOLEX<br>INCORPORATED AND SHOULD NOT BE USED WITHOUT WRITTEN PERMISSION |
|  |   |   |   |  |  |   |  |           |  |