

PLEASE CHECK WWW.MOLEX.COM FOR LATEST PART INFORMATION

Part Number: **0510160900**
Status: **Active**
Description: 1.50mm (.059") Pitch Cable Holder, Vertical, for Ribbon Cable, 9 Circuits

Documents:

[3D Model](#) [Product Specification PS-51016-001 \(PDF\)](#)
[Drawing \(PDF\)](#) [RoHS Certificate of Compliance \(PDF\)](#)

General

| | |
|---------------------|-------------------------------------|
| Product Family | Ribbon Cable / Wire Trap Connectors |
| Series | 51016 |
| Component Type | One Piece |
| Glow-Wire Compliant | No |
| Product Name | Board-In, Cable Holder |

Physical

| | |
|--------------------------------|---------------------|
| Circuits (Loaded) | 9 |
| Color - Resin | Natural |
| Entry Angle | Vertical |
| Lock to Mating Part | None |
| Material - Resin | Nylon |
| Number of Rows | 1 |
| PCB Locator | Yes |
| PCB Retention | Yes |
| PCB Thickness Recommended (in) | 0.062 In |
| PCB Thickness Recommended (mm) | 1.60 mm |
| Packaging Type | Bag |
| Pitch - Mating Interface (in) | 0.059 In |
| Pitch - Mating Interface (mm) | 1.50 mm |
| Polarized to Mating Part | N/A |
| Polarized to PCB | Yes |
| Stackable | No |
| Surface Mount Compatible (SMC) | No |
| Temperature Range - Operating | -40°C to +105°C |
| Wire Insulation Diameter | 1.30mm (.051") max. |
| Wire Size AWG | 26 |
| Wire/Cable Type | Ribbon Cable |

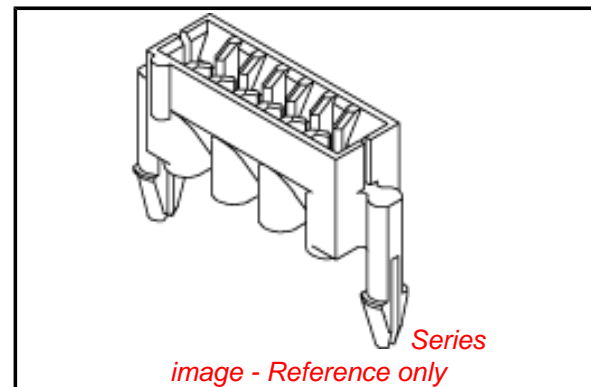
Electrical

| | |
|-------------------------------|-----|
| Current - Maximum per Contact | N/A |
| Voltage - Maximum | N/A |

Material Info

Reference - Drawing Numbers

| | |
|-----------------------|----------------------------|
| Product Specification | PS-51016-001 |
| Sales Drawing | SD-51016-001, SD-51016-002 |



EU RoHS

**ELV and RoHS
Compliant**
**REACH SVHC
Contains SVHC: No**
**Halogen-Free
Status
Not Reviewed**

China RoHS



**Need more information on product
environmental compliance?**

Email productcompliance@molex.com
For a multiple part number RoHS Certificate of
Compliance, [click here](#)

Please visit the [Contact Us](#) section for any
non-product compliance questions.

Search Parts in this Series

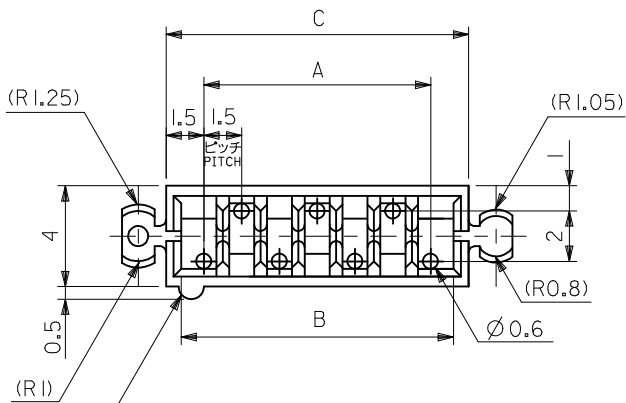
51016Series

Mates With

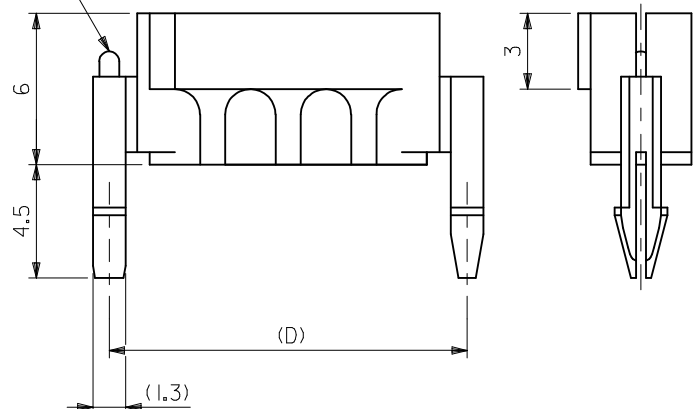
N/A

Use With

Top-coated Ribbon Cable

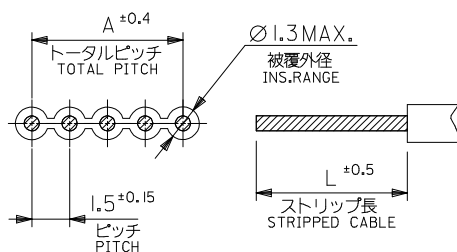


回路NO. 1側
表示用突起
CKT. NO.1
EMBOSSED INDICATION

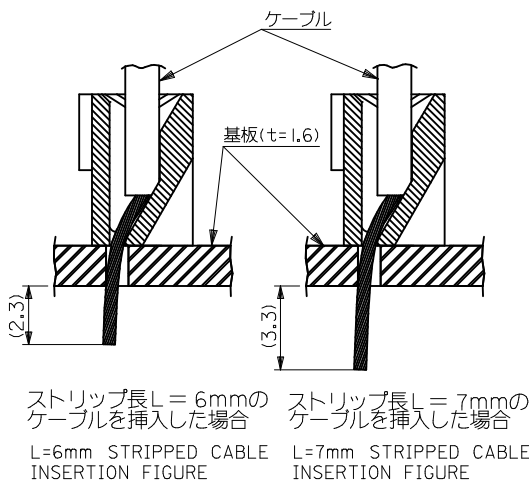


(注記)
(NOTES)

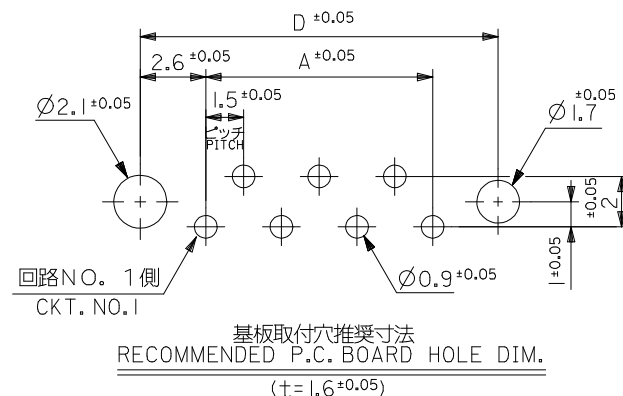
1. 材質:MATERIAL
66ナイロン, UL 94V-2
NYLON66, UL94V-2
2. 適用電線:APPLICABLE WIRE
1. 5mmピッチリボンケーブル。
1.5mm PITCH RIBON CABLE
(UL 2468, AWG#26 鍍コート線)
(UL2468, AWG26 TIN TOP COAT WIRE)



適合電線推奨寸法
APPLICABLE WIRE RECOMMENDED DIM.

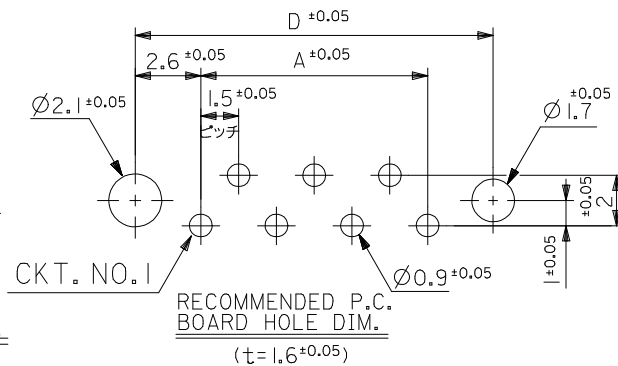
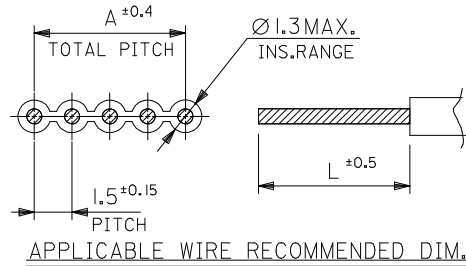
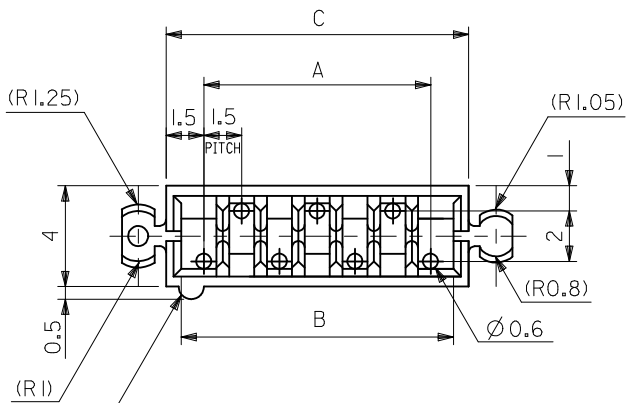


ストリップ長L=6mmのケーブルを挿入した場合
ストリップ長L=7mmのケーブルを挿入した場合
L=6mm STRIPPED CABLE INSERTION FIGURE
L=7mm STRIPPED CABLE INSERTION FIGURE

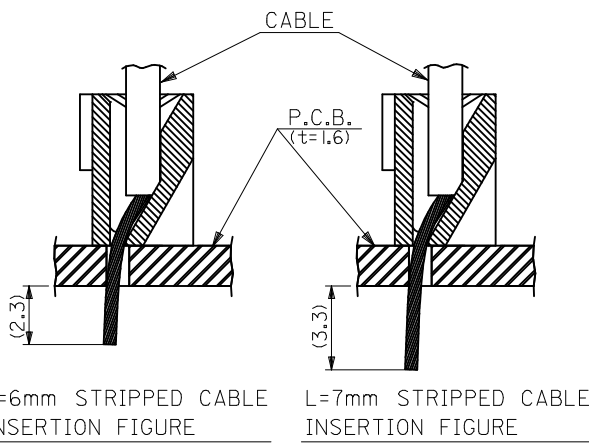
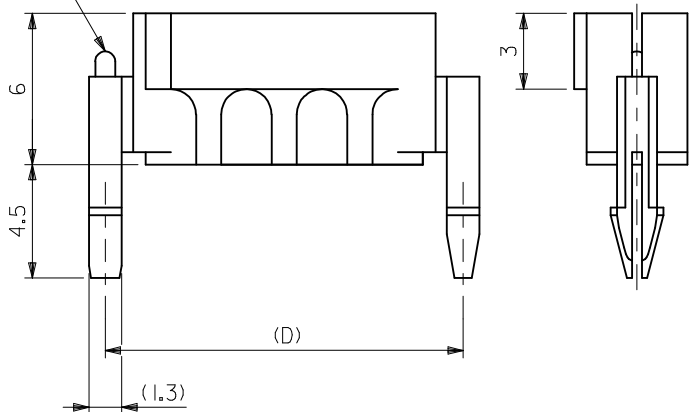


| | | | | | |
|------|------|------|------|------------------|---------|
| 33.7 | 31.5 | 30.3 | 28.5 | 51016-2000 | 20 |
| 32.2 | 30 | 28.8 | 27 | -1900 | 19 |
| 29.2 | 27 | 25.8 | 24 | -1700 | 17 |
| 27.7 | 25.5 | 24.3 | 22.5 | -1600 | 16 |
| 26.2 | 24 | 22.8 | 21 | -1500 | 15 |
| 24.7 | 22.5 | 21.3 | 19.5 | -1400 | 14 |
| 23.2 | 21 | 19.8 | 18 | -1300 | 13 |
| 21.7 | 19.5 | 18.3 | 16.5 | -1200 | 12 |
| 20.2 | 18 | 16.8 | 15 | -1100 | 11 |
| 18.7 | 16.5 | 15.3 | 13.5 | -1000 | 10 |
| 17.2 | 15 | 13.8 | 12 | -0900 | 9 |
| 15.7 | 13.5 | 12.3 | 10.5 | -0800 | 8 |
| 14.2 | 12 | 10.8 | 9 | -0700 | 7 |
| 12.7 | 10.5 | 9.3 | 7.5 | -0600 | 6 |
| 11.2 | 9 | 7.8 | 6 | -0500 | 5 |
| 9.7 | 7.5 | 6.3 | 4.5 | -0400 | 4 |
| 8.2 | 6 | 4.8 | 3 | 51016-0300 | 3 |
| D | C | B | A | PLASTIC BAG | CIRCUIT |
| | | | | ORDER No. オーダー番号 | 極数 |

| | | | | | | | |
|---|---------------------------------------|--|----------------------------|---|--|------------------------|------------------------|
| REVISED EC NO: J2009-2177 DRAWN: CARIZONO 2009/04/08 CHKD: T. HARUYAMA 2009/04/09 APPR: NUKITA 2009/04/10 | GENERAL TOLERANCES (UNLESS SPECIFIED) | | DIMENSION STYLE MM ONLY | | SCALE 5:1 | DESIGN UNITS METRIC | THIRD ANGLE PROJECTION |
| | 10 UNDER | ±0.2 | DRAWN BY C. ARIZONO | DATE '09/03/30 | TITLE 1.5MM PITCH CABLE HOLDER(ST.) | | |
| | 10 OVER 30 UNDER | ±0.25 | CHECKED BY T. HARUYAMA | DATE '09/03/30 | MOLEX INCORPORATED | | |
| | 30 OVER | ±0.3 | APPROVED BY N. UKITA | DATE '09/03/30 | SD-51016-001 | | |
| REV | DESCRIPTION | ANGULAR ±3 ° | MATERIAL NO. | SEE TABLE | DOCUMENT NO. | SHEET NO. 1 OF 1 | |
| | | DRAFT WHERE APPLICABLE MUST REMAIN WITHIN DIMENSIONS | SIZE A3 | THIS DRAWING CONTAINS INFORMATION THAT IS PROPRIETARY TO MOLEX INCORPORATED AND SHOULD NOT BE USED WITHOUT WRITTEN PERMISSION | | | |



CKT.NO.1 EMBOSSED INDICATION



| | | | | | |
|------|------|------|------|------------------|---------|
| 29.2 | 27 | 25.8 | 24 | 51016-1700 | 17 |
| 27.7 | 25.5 | 24.3 | 22.5 | -1600 | 16 |
| 26.2 | 24 | 22.8 | 21 | -1500 | 15 |
| 24.7 | 22.5 | 21.3 | 19.5 | -1400 | 14 |
| 23.2 | 21 | 19.8 | 18 | -1300 | 13 |
| 21.7 | 19.5 | 18.3 | 16.5 | -1200 | 12 |
| 20.2 | 18 | 16.8 | 15 | -1100 | 11 |
| 18.7 | 16.5 | 15.3 | 13.5 | -1000 | 10 |
| 17.2 | 15 | 13.8 | 12 | -0900 | 9 |
| 15.7 | 13.5 | 12.3 | 10.5 | -0800 | 8 |
| 14.2 | 12 | 10.8 | 9 | -0700 | 7 |
| 12.7 | 10.5 | 9.3 | 7.5 | -0600 | 6 |
| 11.2 | 9 | 7.8 | 6 | -0500 | 5 |
| 9.7 | 7.5 | 6.3 | 4.5 | -0400 | 4 |
| 8.2 | 6 | 4.8 | 3 | 51016-0300 | 3 |
| D | C | B | A | PLASTIC BAG | CIRCUIT |
| | | | | ORDER No. オーダー番号 | 極数 |

NOTES

- MATERIAL:66NYLON,UL94V-2
- APPLICABLE WIRE
1.5mm PITCH RIBBON CABLE
(UL2468,AWG#26 TIN TOP COAT WIRE)

| | | | | | | | |
|--|---------------------------------------|--|---|-------------------|--|------------------------|------------------------|
| REVISED EC NO: J2009-2177 DRWN:CARIZONO 2009/04/08 CHKD:T.HARUYAMA 2009/04/09 APPR:NUKITA 2009/04/10 | GENERAL TOLERANCES (UNLESS SPECIFIED) | | DIMENSION STYLE MM ONLY | | SCALE --- | DESIGN UNITS METRIC | THIRD ANGLE PROJECTION |
| | 10 UNDER | ±0.2 | DRAWN BY C.ARIZONO | DATE '09/03/30 | TITLE 1.5MM PITCH CABLE HOLDER (ST.)(ENGLISH) | | |
| | 10 OVER 30 UNDER | ±0.25 | CHECKED BY T.HARUYAMA | DATE '09/03/30 | MOLEX INCORPORATED | | |
| | 30 OVER | ±0.3 | APPROVED BY N.UKITA | DATE '09/03/30 | DOCUMENT NO. SD-51016-002 | | |
| REV | DESCRIPTION | ANGULAR ±3 ° | MATERIAL NO. SEE TABLE | | SHEET NO. 1 OF 1 | | |
| | | DRAFT WHERE APPLICABLE MUST REMAIN WITHIN DIMENSIONS | THIS DRAWING CONTAINS INFORMATION THAT IS PROPRIETARY TO MOLEX INCORPORATED AND SHOULD NOT BE USED WITHOUT WRITTEN PERMISSION | | | | |