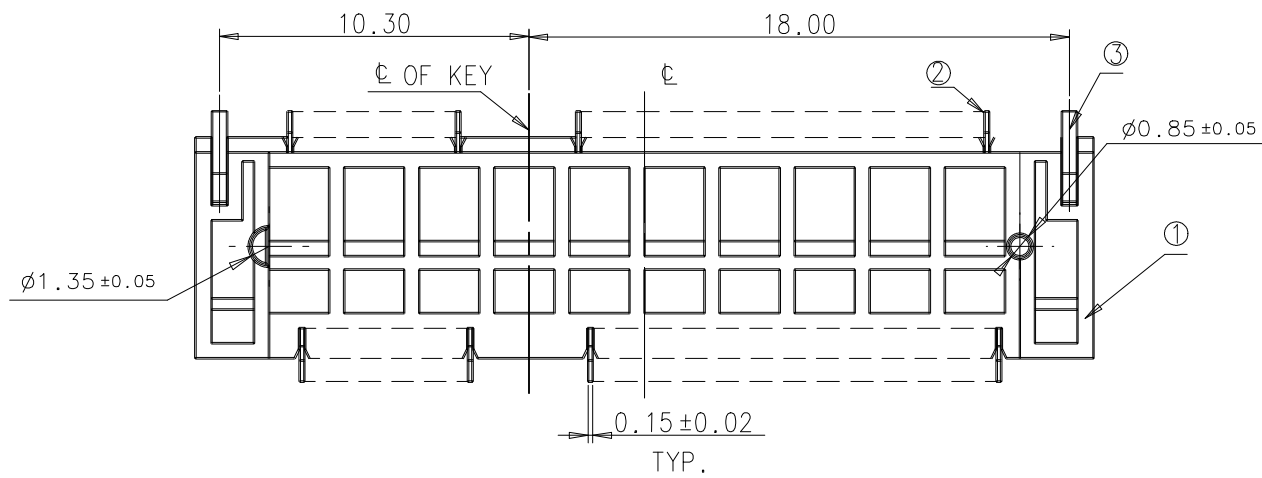


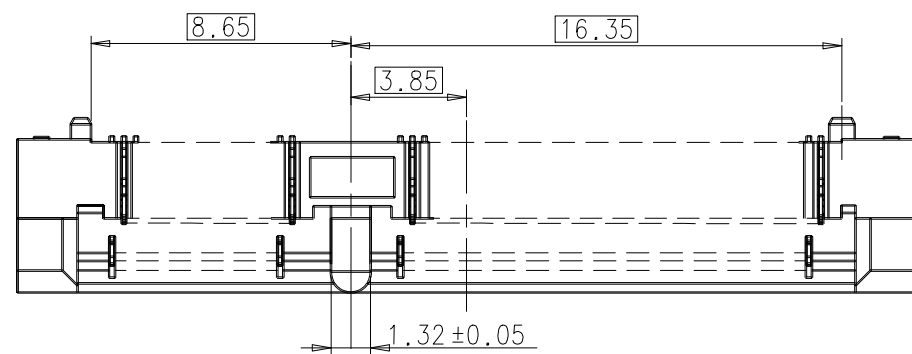
IDEAS GENERATED DRAWING, DO NOT CHANGE BY HAND

| REV. | ECN. NO. | APPD. |
|------|---------------|------------|
| A | BC-11-0040402 | Herry Yang |
| B | BC-11-0062369 | Herry Yang |
| C | BC-11-0072421 | Herry Yang |
| D | BC-11-0096426 | Herry Yang |
| E | BC-12-0006812 | Y.H.Mao |



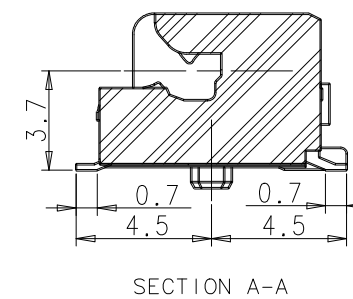
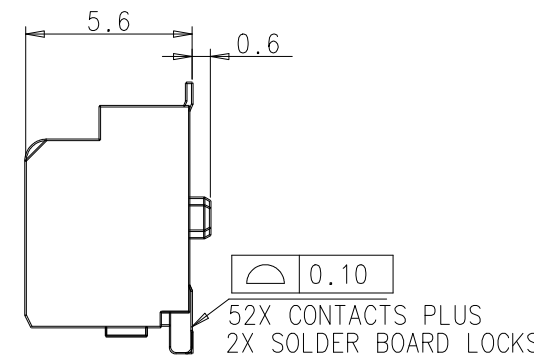
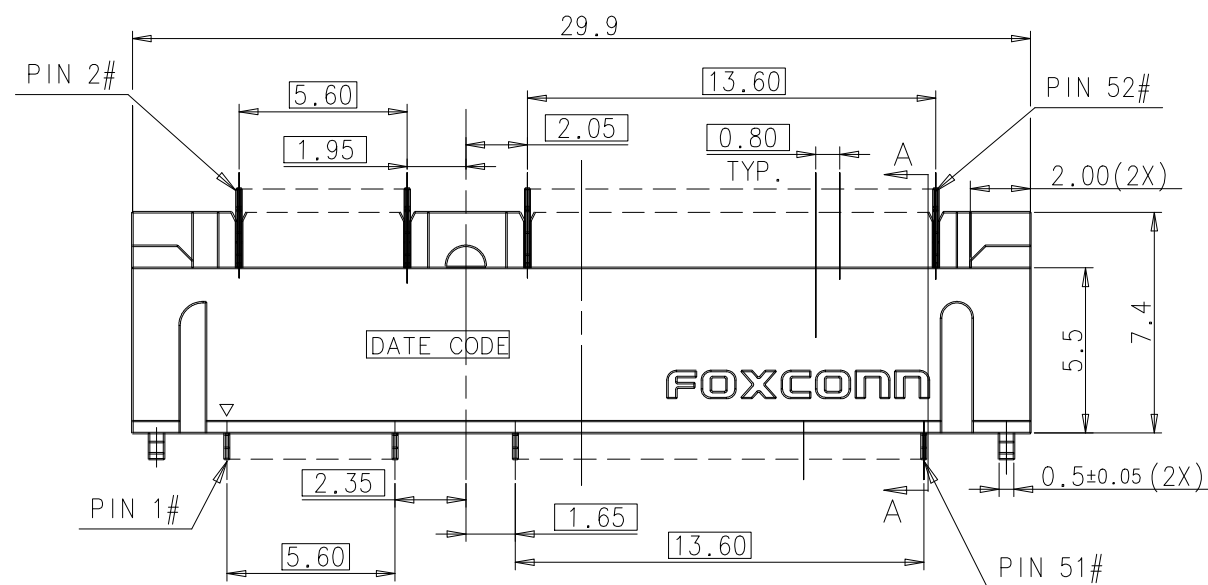
NOTES:

- ELECTRICAL CHARACTERISTICS:
 - CONTACT CURRENT RATING: 0.5 AMPERE MAX. PER PIN.
(PER PIN) DOESN'T EXCEED 30°C ABOVE AMBIENT AT 0.5 AMPERE MAX. PER PIN.
 - VOLTAGE RATING: 50V AC.
 - INSULATION RESISTANCE: 500 MEGAOHMS MIN. AT 500V DC.
 - DIELECTRIC WITHSTANDING VOLTAGE: 300V AC RMS AT 60Hz, FOR 1 MINUTE.
 - CONTACT RESISTANCE : 55 MILLIOHMS MAX. PER PIN INITIAL.
 $\Delta R=20$ MILLIOHMS MAX. PER PIN AFTER FULL ENVIRONMENTAL TESTING.
- MECHANICAL CHARACTERISTICS: DURABILITY: 50 MATING CYCLES.
- OPERATION TEMPERATURE: -40°C TO +80°C.
- PLEASE CONTACT FOXCONN SALES REPRESENTATIVE TO VERIFY PRODUCT DETAILS & AVAILABILITY.

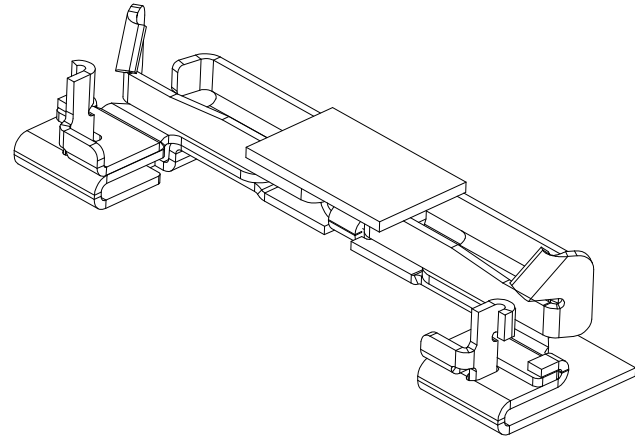
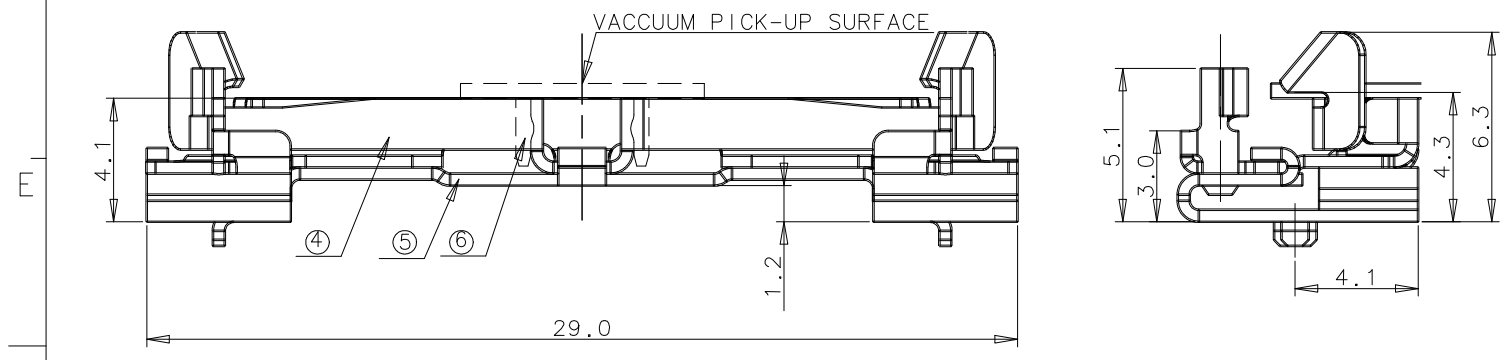
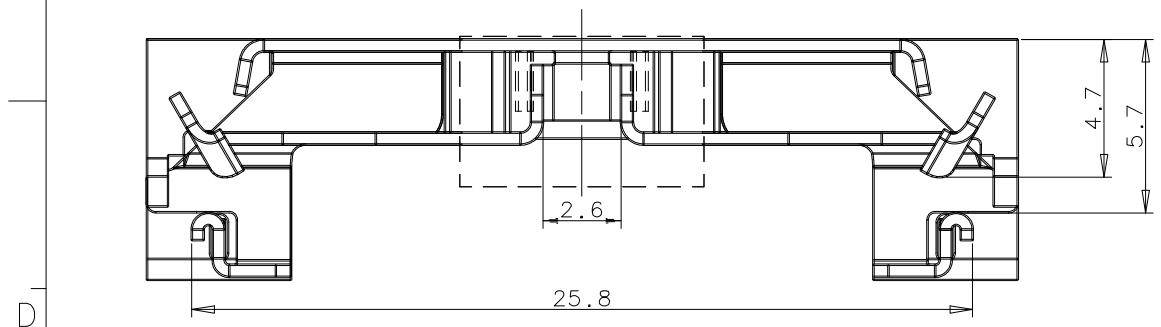
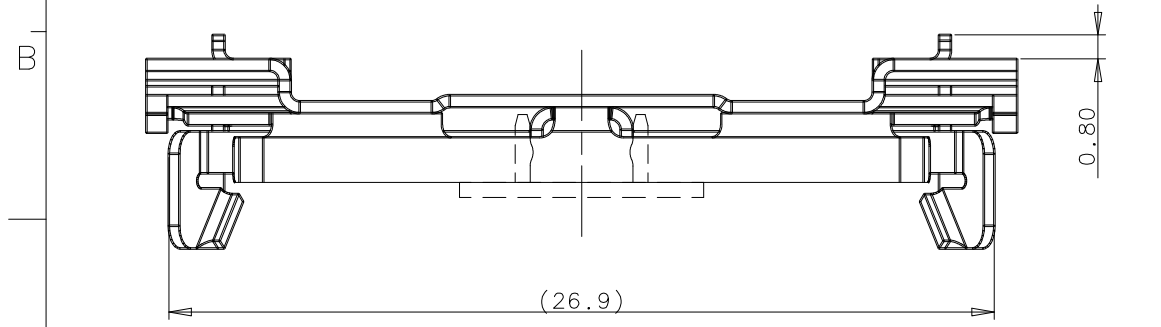
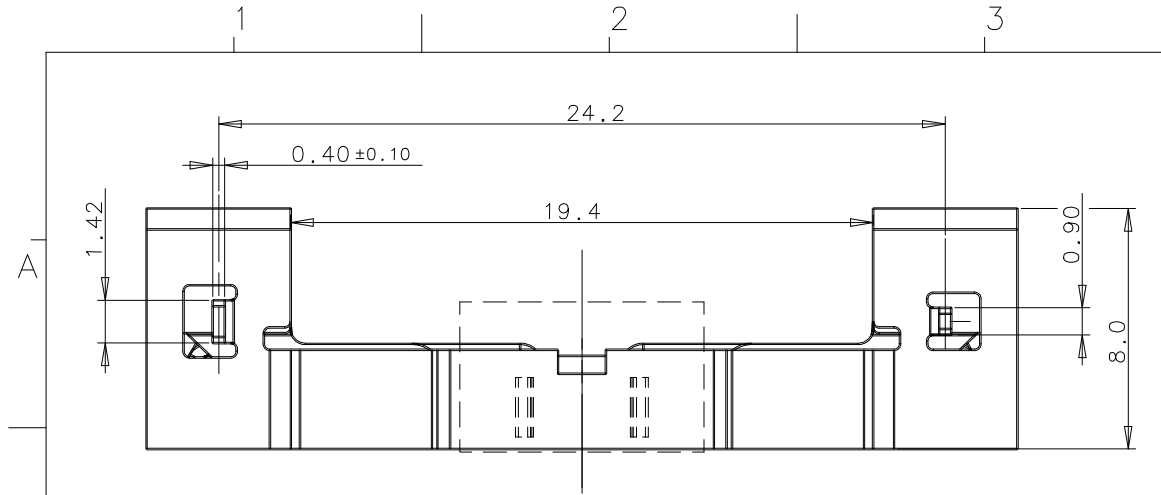


PART NO. DESCRIPTION: A S 0 B2 2 * - S 56 *-7 H

- MEMORY MODULE SOCKET
- HORIZONTAL TYPE
- SINGLE ROW
- NO. OF POS. B2= 52 POS.
- SMT
- CONTACT AREA PLATING
- 6=10 μ " GOLD PLATING
- 1=GOLD FLASH
- H=HALOGEN/LEAD FREE
- 7=TAPE&REEL
- Q=CONNECTOR
- K=ONLY CLIP
- 56=5.6mm HEIGHT
- STANDARD TYPE



| | | | | | |
|--|----------|--------|----|----------------------------|--|
| X. ± 0.30 | X° ± 2° | UNITS | mm | NAME (INTENDED USE) | FOXCONN |
| .X ± 0.25 | .X° ± 1° | MAT'L | | MINI PCI EXPRESS CONNECTOR | HON HAI PRECISION IND. CO., LTD. TAIPEI, TAIWAN, R.O.C. |
| .XX ± 0.15 | .XX° ± | FINISH | | PART NO. (INTENDED USE) | TITLE: |
| .XXX ± | .XXX° ± | Q'TY | | ASOB22*-S56*-7H | CUSTOMER DRAWING |
| THESE DRAWINGS AND SPECIFICATIONS ARE THE PROPERTY OF HON HAI PRECISION IND. CO., LTD. AND SHALL NOT BE REPRODUCED, COPIED OR USED IN ANY MANNER WITHOUT THE PRIOR WRITTEN CONSENT OF HON HAI PRECISION IND. CO., LTD. | | | | APPD: Y.H.MAO | DWG NO.: |
| | | | | CHKD: ZH.Wang | 317-0000-2054 |
| | | | | DR: LiPing Yang 2/3'12 | SCALE SHEET REV. |
| | | | | | N/A 1/7 E |



| | | | | |
|---|------------|----|-----------------|---|
| ⑥ | CAP | 1 | THERMOPLASTIC | UL94V-0, IVORY COLOR(IN ORDER TO PICK-UP,TAKE AWAY AFTER ASSEMBLY) |
| ⑤ | CLIP(2) | 1 | STAINLESS STEEL | 10u" NICKEL UNDER PLATING 2u" Pd PLATING OVER SOLDER PAD AREA |
| ④ | CLIP(1) | 1 | STAINLESS STEEL | NO PLATING |
| ③ | BOARD LOCK | 2 | COPPER ALLOY | 50u" NICKEL UNDER PLATING 100u" MATTE TIN OVER ALL |
| ② | CONTACT | 52 | COPPER ALLOY | 50u" NICKEL UNDER PLATING GOLD FLASH AT TAIL AREA 10u" GOLD PLATING OR GOLD FLASH AT CONTACT AREA |
| ① | HOUSING | 1 | THERMOPLASTIC | UL94V-0, IVORY COLOR |

| ITEM | DESCRIPTION | Q'TY | MATERIAL | TREATMENT |
|-------|-------------|--------|----------|--|
| X.± | 0.30 | X°± | UNITS | mm |
| .X± | 0.25 | .X°± | MAT'L | NAME(INTENDED USE) MINI PCI EXPRESS CONNECTOR |
| .XX± | 0.15 | .XX°± | FINISH | PART NO.(INTENDED USE) ASOB22*-S56*-7H |
| .XXX± | | .XXX°± | Q'TY | APPD: Y.H.Mao CHKD: ZH.Wang DR: LiPing Yang 2/3'12 |

THESE DRAWINGS AND SPECIFICATIONS ARE THE PROPERTY OF HON HAI PRECISION IND. CO., LTD. AND SHALL NOT BE REPRODUCED, COPIED OR USED IN ANY MANNER WITHOUT THE PRIOR WRITTEN CONSENT OF HON HAI PRECISION IND. CO., LTD.

FOXCONN
HON HAI PRECISION IND. CO.,LTD.
TAIPEI, TAIWAN, R.O.C.

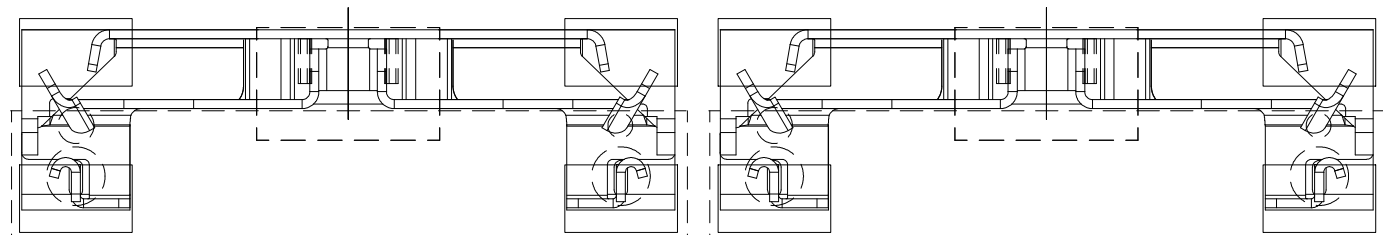
TITLE:
CUSTOMER DRAWING

DWG NO.:
317-0000-2054

| | | |
|-------|-------|------|
| SCALE | SHEET | REV. |
| N/A | 2/7 | E |

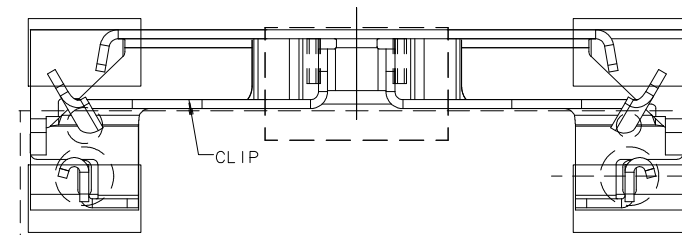
IDEAS GENERATED DRAWING, DO NOT CHANGE BY HAND

| | | | |
|------|------|-----|-------|
| REV. | ECN. | NO. | APPD. |
|------|------|-----|-------|



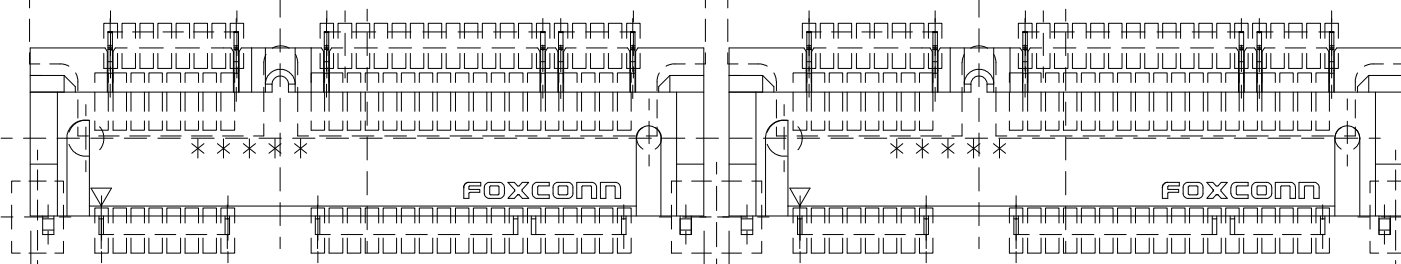
TOP SIDE

TOP SIDE



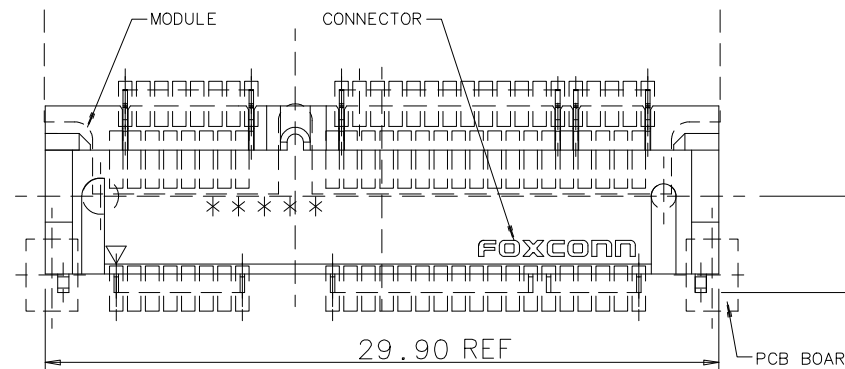
TOP SIDE

HALF-MINI CARD = 24.00 REF
 FULL-MINI CARD = 48.15 REF
 HALF-MINI CARD = 32.38 REF
 FULL-MINI CARD = 58.53 REF



1.10 REF
 31.00 REF
 60.90 REF

SIDE BY SIDE LAYOUT FOR ASSEMBLY(CONNECTOR+CLIP+MODULE CARD+P.C.B)



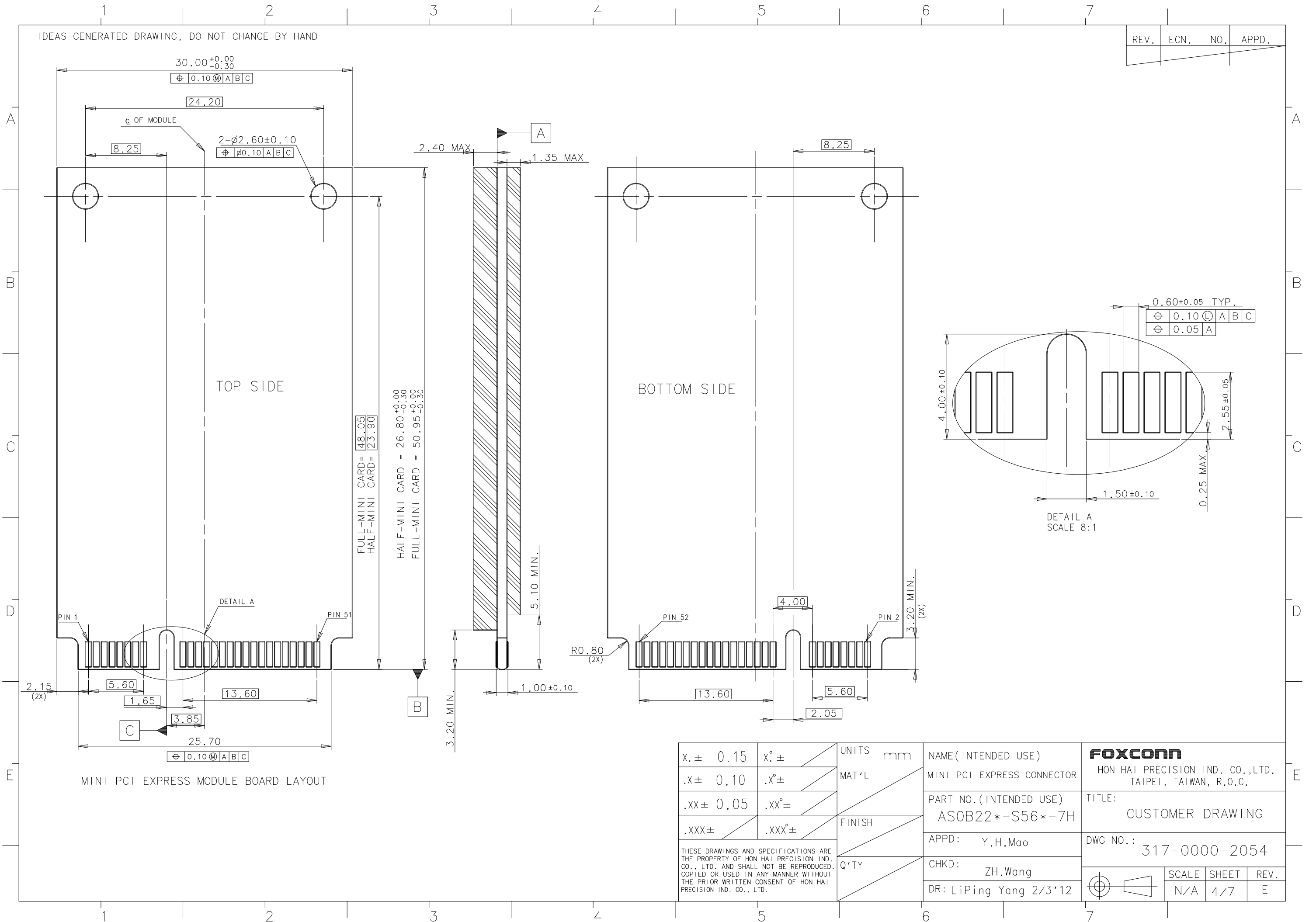
29.90 REF
 PCB BOARD

SINGLE LAYOUT FOR ASSEMBLY(CONNECTOR+CLIP+MODULE CARD+P.C.B)

| | | | | | | | |
|--|---------|--------|----|----------------------------|--|----------|---------------|
| X. ± 0.15 | X° ± | UNITS | mm | NAME (INTENDED USE) | FOXCONN HON HAI PRECISION IND. CO., LTD. TAIPEI, TAIWAN, R.O.C. | | |
| .X ± 0.10 | .X° ± | MAT'L | | MINI PCI EXPRESS CONNECTOR | | | |
| .XX ± 0.05 | .XX° ± | | | PART NO. (INTENDED USE) | TITLE: | | |
| .XXX ± | .XXX° ± | FINISH | | ASOB22*-S56*-7H | CUSTOMER DRAWING | | |
| THESE DRAWINGS AND SPECIFICATIONS ARE THE PROPERTY OF HON HAI PRECISION IND. CO., LTD. AND SHALL NOT BE REPRODUCED, COPIED OR USED IN ANY MANNER WITHOUT THE PRIOR WRITTEN CONSENT OF HON HAI PRECISION IND. CO., LTD. | | | | APPD: | Y.H.Mao | DWG NO.: | 317-0000-2054 |
| | | | | CHKD: | ZH.Wang | | |
| | | | | DR: | LiPing Yang 2/3'12 | | |
| | | | | | SCALE | SHEET | REV. |
| | | | | | N/A | 3/7 | E |

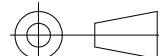
IDEAS GENERATED DRAWING, DO NOT CHANGE BY HAND

| | | | |
|------|------|-----|-------|
| REV. | ECN. | NO. | APPD. |
|------|------|-----|-------|



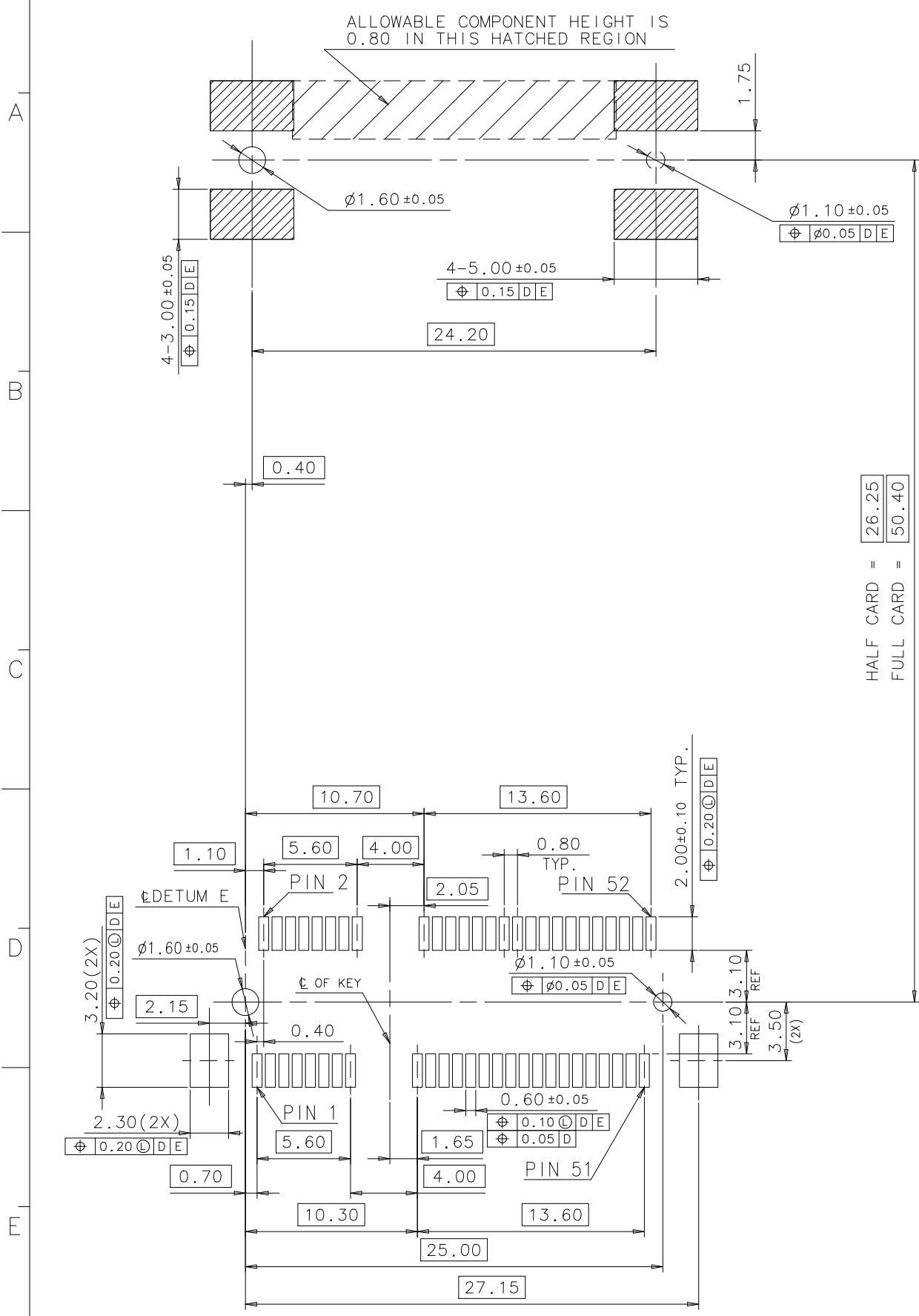
FULL-MINI CARD = 48.05
 HALF-MINI CARD = 23.90
 HALF-MINI CARD = 26.80^{+0.00}_{-0.30}
 FULL-MINI CARD = 50.95^{+0.00}_{-0.30}

MINI PCI EXPRESS MODULE BOARD LAYOUT

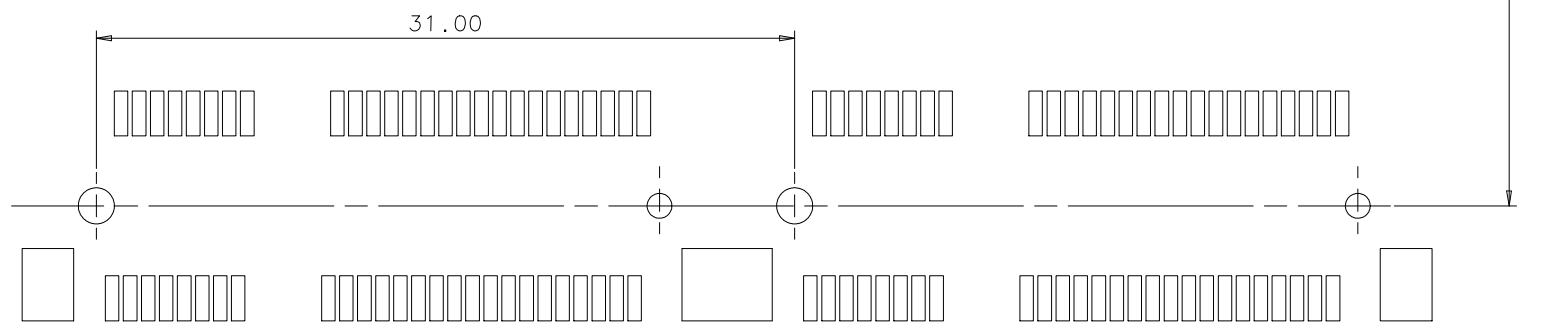
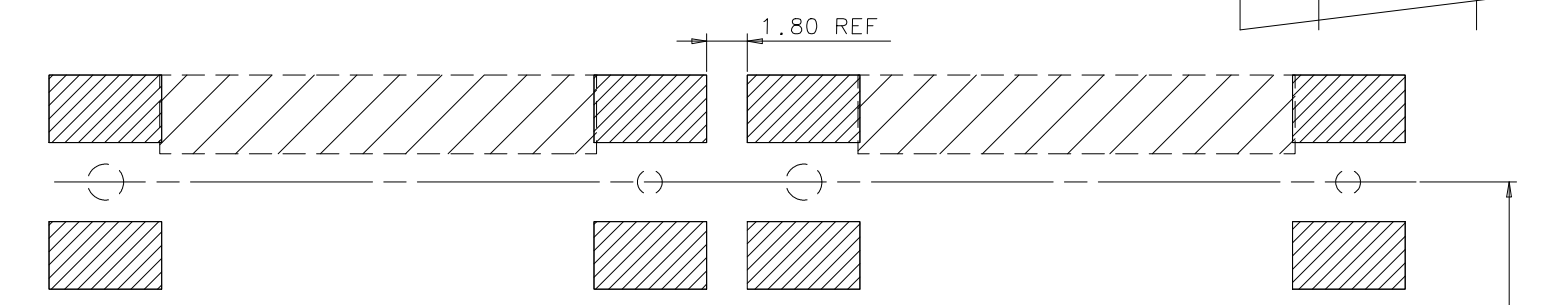
| | | | | | | | |
|--|---------|--------|----|---|--|-------|------|
| x. ± 0.15 | x.° ± | UNITS | mm | NAME (INTENDED USE) | FOXCONN HON HAI PRECISION IND. CO., LTD. TAIPEI, TAIWAN, R.O.C. | | |
| .x ± 0.10 | .x° ± | MAT'L | | MINI PCI EXPRESS CONNECTOR | | | |
| .xx ± 0.05 | .xx° ± | FINISH | | PART NO. (INTENDED USE) | TITLE: | | |
| .xxx ± | .xxx° ± | Q'TY | | ASOB22*-S56*-7H | CUSTOMER DRAWING | | |
| THESE DRAWINGS AND SPECIFICATIONS ARE THE PROPERTY OF HON HAI PRECISION IND. CO., LTD. AND SHALL NOT BE REPRODUCED, COPIED OR USED IN ANY MANNER WITHOUT THE PRIOR WRITTEN CONSENT OF HON HAI PRECISION IND. CO., LTD. | | | | APPD: Y.H.Mao | DWG NO.: | | |
| | | | | CHKD: ZH.Wang | 317-0000-2054 | | |
| | | | | DR: LiPing Yang 2/3'12 | | | |
| | | | |  | SCALE | SHEET | REV. |
| | | | | N/A | 4/7 | E | |

IDEAS GENERATED DRAWING, DON'T CHANGE BY HAND

| | | | |
|------|------|-----|-------|
| REV. | ECN. | NO. | APPD. |
|------|------|-----|-------|



RECOMMENDED PCB LAYOUT
*DATUM D IS THE TOP SURFACE OF PCB



RECOMMENDED PCB LAYOUT (SIDE BY SIDE)

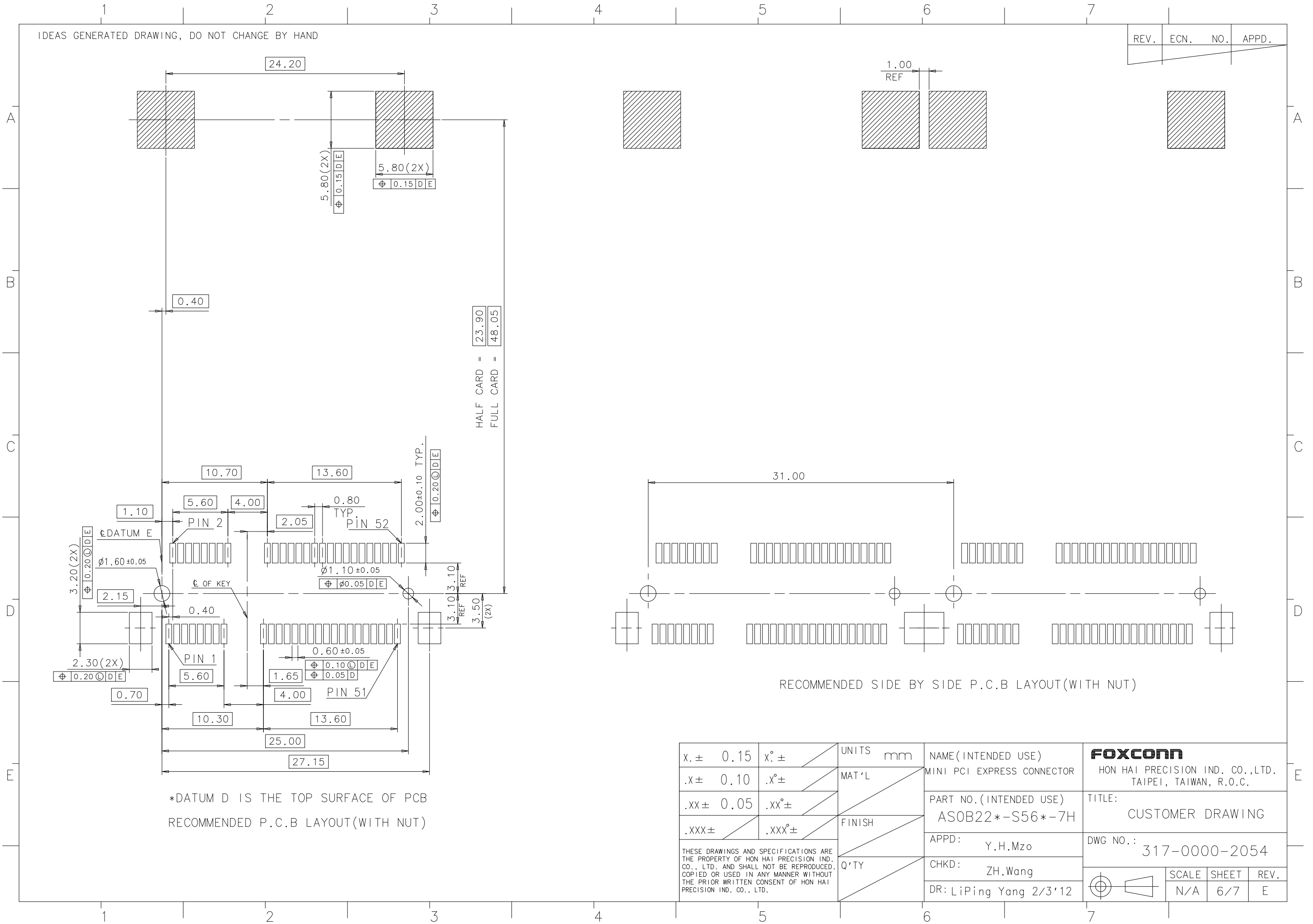
HALF CARD = 26.25
FULL CARD = 50.40

HALF CARD = 26.25
FULL CARD = 50.40

| | | | | | |
|--|------------------|--------|----|----------------------------|--|
| $x \pm 0.15$ | $x^\circ \pm$ | UNITS | mm | NAME (INTENDED USE) | FOXCONN HON HAI PRECISION IND. CO., LTD. TAIPEI, TAIWAN, R.O.C. |
| $.x \pm 0.10$ | $.x^\circ \pm$ | MAT'L | | MINI PCI EXPRESS CONNECTOR | |
| $.xx \pm 0.05$ | $.xx^\circ \pm$ | FINISH | | PART NO. (INTENDED USE) | TITLE: |
| $.xxx \pm$ | $.xxx^\circ \pm$ | Q'TY | | ASOB22*-S56*-7H | CUSTOMER DRAWING |
| THESE DRAWINGS AND SPECIFICATIONS ARE THE PROPERTY OF HON HAI PRECISION IND. CO., LTD. AND SHALL NOT BE REPRODUCED, COPIED OR USED IN ANY MANNER WITHOUT THE PRIOR WRITTEN CONSENT OF HON HAI PRECISION IND. CO., LTD. | | | | APPD: Y.H.Mao | DWG NO.: |
| | | | | CHKD: ZH.Wang | 317-0000-2054 |
| | | | | DR: LiPing Yang 2/3'12 | SCALE SHEET REV. |
| | | | | | N/A 5/7 E |

IDEAS GENERATED DRAWING, DO NOT CHANGE BY HAND

| | | | |
|------|------|-----|-------|
| REV. | ECN. | NO. | APPD. |
|------|------|-----|-------|



HALF CARD = 23.90
FULL CARD = 48.05

RECOMMENDED SIDE BY SIDE P.C.B LAYOUT(WITH NUT)

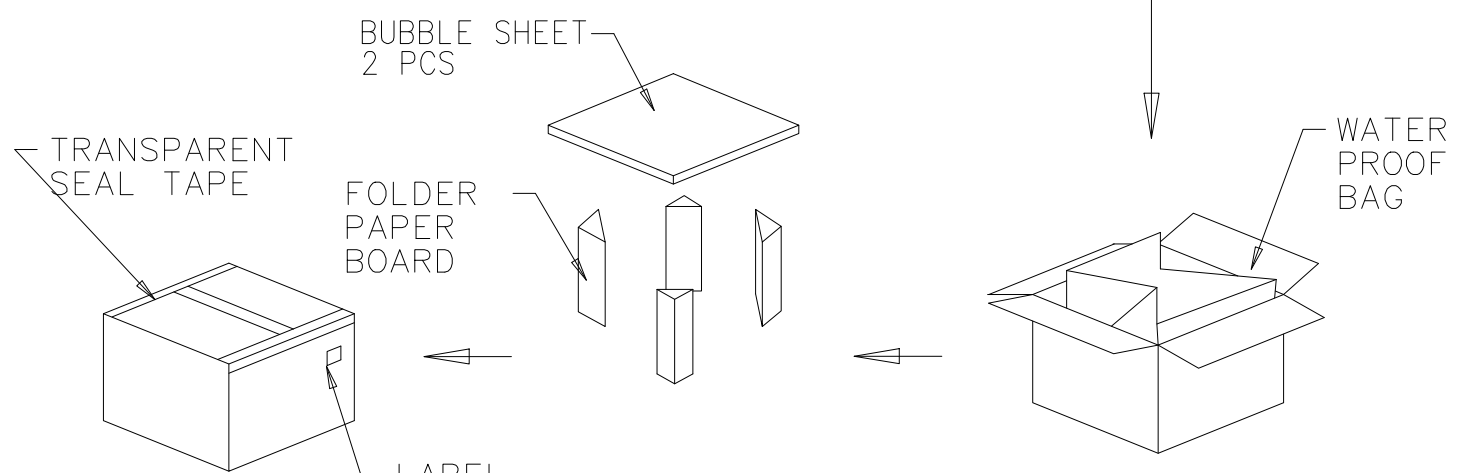
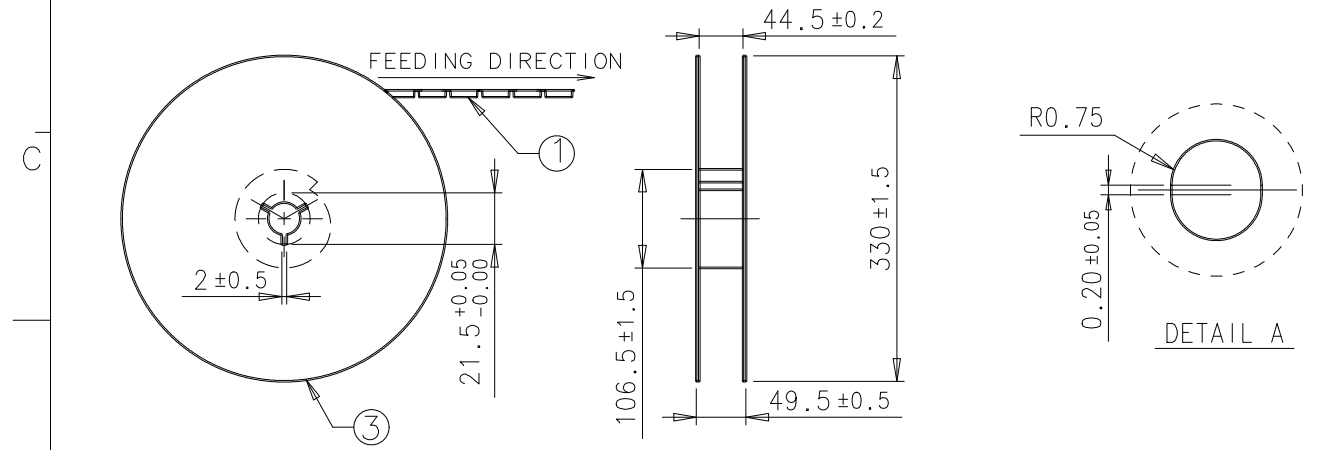
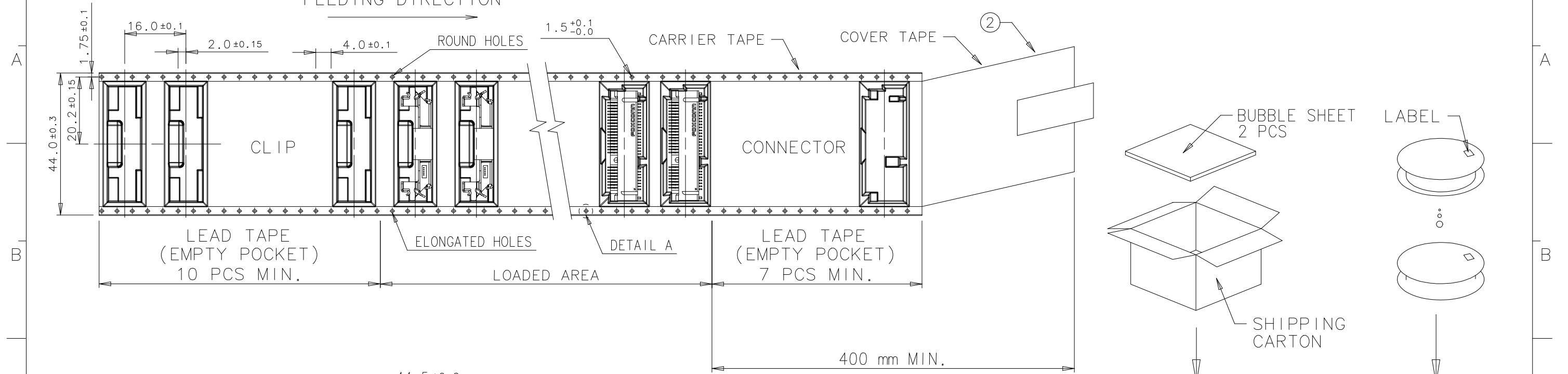
*DATUM D IS THE TOP SURFACE OF PCB
RECOMMENDED P.C.B LAYOUT(WITH NUT)

| | | | | | | | | | | |
|--|---------|----------|---|--|-------|-------|------|-----|-----|---|
| x. ± 0.15 | x.° ± | UNITS mm | NAME (INTENDED USE) MINI PCI EXPRESS CONNECTOR | FOXCONN HON HAI PRECISION IND. CO., LTD. TAIPEI, TAIWAN, R.O.C. | | | | | | |
| .X ± 0.10 | .X° ± | MAT'L | PART NO. (INTENDED USE) AS0B22*-S56*-7H | | | | | | | |
| .XX ± 0.05 | .XX° ± | FINISH | APPD: Y.H.Mzo | TITLE: CUSTOMER DRAWING | | | | | | |
| .XXX ± | .XXX° ± | Q'TY | CHKD: ZH.Wang | DWG NO.: 317-0000-2054 | | | | | | |
| THESE DRAWINGS AND SPECIFICATIONS ARE THE PROPERTY OF HON HAI PRECISION IND. CO., LTD. AND SHALL NOT BE REPRODUCED, COPIED OR USED IN ANY MANNER WITHOUT THE PRIOR WRITTEN CONSENT OF HON HAI PRECISION IND. CO., LTD. | | | DR: LiPing Yang 2/3'12 | <table border="1"> <tr> <td>SCALE</td> <td>SHEET</td> <td>REV.</td> </tr> <tr> <td>N/A</td> <td>6/7</td> <td>E</td> </tr> </table> | SCALE | SHEET | REV. | N/A | 6/7 | E |
| SCALE | SHEET | REV. | | | | | | | | |
| N/A | 6/7 | E | | | | | | | | |

IDEAS GENERATED DRAWING, DO NOT CHANGE BY HAND

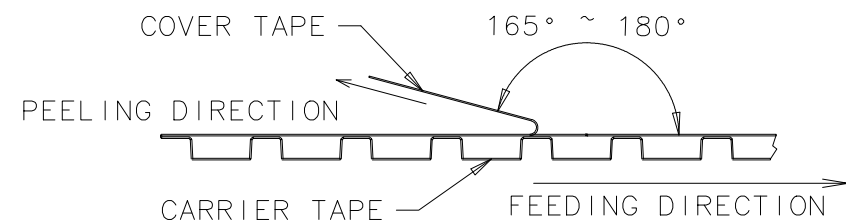
| | | | |
|------|------|-----|-------|
| REV. | ECN. | NO. | APPD. |
|------|------|-----|-------|

FEEDING DIRECTION



NOTES:

- 10 POCKETS HOLE PITCH CUMULATIVE TOLERANCE $\pm 0.20\text{mm}$.
- COVER TAPE PEELING STRENGTH : 0.01 kgf MIN.& 0.13 kgf MAX. AT 300mm/min.



3. PACKING CAPACITY :

| PART No. | PCS / REEL | REEL / BOX | PCS / BOX |
|-----------------|------------|------------|-----------|
| AS0B22*-S56Q-7H | 500 | 5 | 2500 |
| AS0B22*-S56K-7H | 500 | 5 | 2500 |

| ITEM | DESCRIPTION | MATERIAL |
|------|--------------|-------------|
| ③ | REEL | POLYSTYRENE |
| ② | COVER TAPE | POLYESTER |
| ① | CARRIER TAPE | POLYSTYRENE |

| | | | | | |
|--|--------|----------|----------------------------|--|------|
| x.± 0.30 | x°± | UNITS mm | NAME (INTENDED USE) | FOXCONN HON HAI PRECISION IND. CO., LTD. TAIPEI, TAIWAN, R.O.C. | |
| .x± 0.25 | .x°± | | MINI PCI EXPRESS CONNECTOR | | |
| .xx± 0.15 | .xx°± | MAT'L | PART NO. (INTENDED USE) | TITLE: | |
| .xxx± | .xxx°± | | AS0B22*-S56*-7H | CUSTOMER DRAWING | |
| THESE DRAWINGS AND SPECIFICATIONS ARE THE PROPERTY OF HON HAI PRECISION IND. CO., LTD. AND SHALL NOT BE REPRODUCED, COPIED OR USED IN ANY MANNER WITHOUT THE PRIOR WRITTEN CONSENT OF HON HAI PRECISION IND. CO., LTD. | | | APPD: Y.H.Mao | DWG NO.: | |
| | | | CHKD: ZH.Wang | 317-0000-2054 | |
| DR: LiPing Yang 2/3'12 | | | SCALE | SHEET | REV. |
| | | | N/A | 7/7 | E |