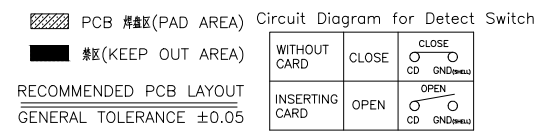
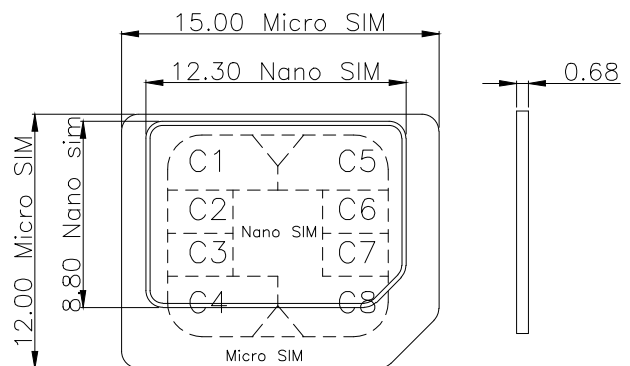
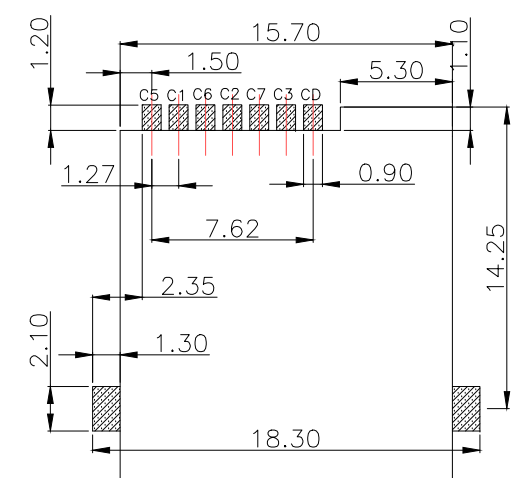
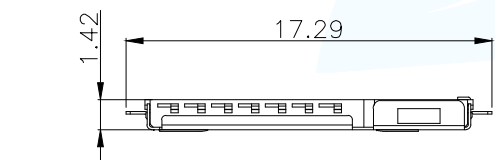
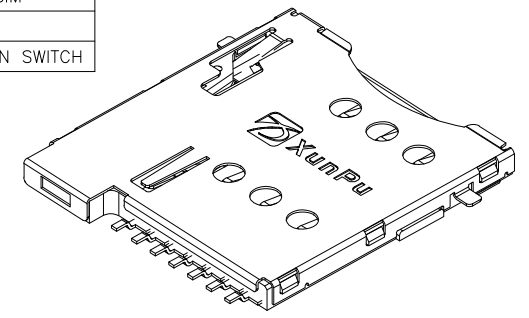


MATERIAL:  
 INSULATOR: HIGH TEMPERATURE THERMOPLASTIC,UL 94V-0  
 CONTACT: COPPER ALLOY  
 SHELL: SUS

PLATING:  
 CONTACT: PLATED 50U" NI OVER ALL CONTACT AU 1U  
 SHELL: PLATED 50U" NI OVERALL  
 PLATED 1U" AU SELECTIVE CONTACT AREA

ELECTRICAL:  
 CURRENT RATING: 0.5AMPS MAX  
 VOLTAGE RATING: 5V AC/DC  
 AMBIENT TEMPERATURE RANGE: -40℃ ~ +85℃  
 STORAGE TEMPERATURE RANGE: -40℃ ~ +85℃  
 AMBIENT HUMIDITY RANGE: 95% R.H. MAX.  
 CONTACT RESISTANCE: 100M MAX.Ω  
 INSULATION RESISTANCE: 1000M MIN./500VDCΩ  
 REFLOW PEAK TEMP: 260℃  
 MATING CYCLES: 5000MIN INSERTIONS

NANO SIM CARD	
Pin No.	NAME
C1	VCC OF SIM
C2	RST OF SIM
C3	CLK OF SIM
C5	GND OF SIM
C6	VPP OF SIM
C7	I/O OF SIM
C4/C8	N/A
CD	DETECTION SWITCH



MANUFACTURE DWG		东莞市讯普电子科技有限公司 DongGuan XunPu Electronics Co.,Ltd	
UNLESS OTHERWISE SPECIFIED TOLERANCES		TITLE:MICRO SIM CARD PUSH PUSH 6+1PIN H1.35 正视 PAR SMC-202-7SC DWN YAO CHKD APVD SCALE:1:1 UNIT:MM SIZE:A4 SHEET:1F1 REV:A	
DECIMALS:	ANGLES:±1°		
X.X:±0.15			
X.XX:±0.10			
X.XXX:±0.05			
CUSTOMER COPY			