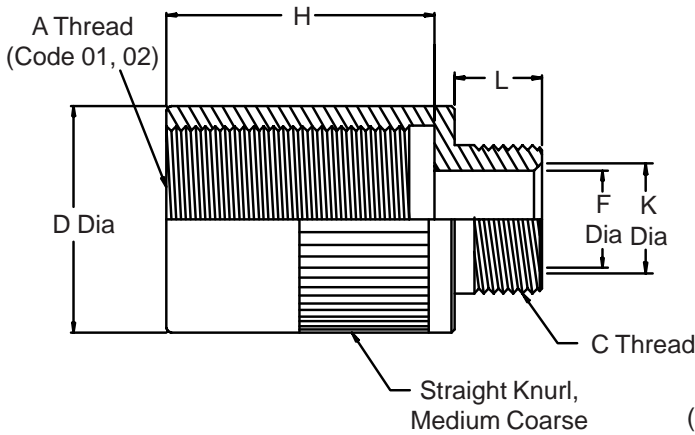
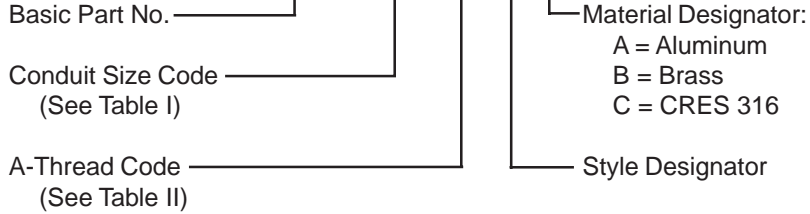
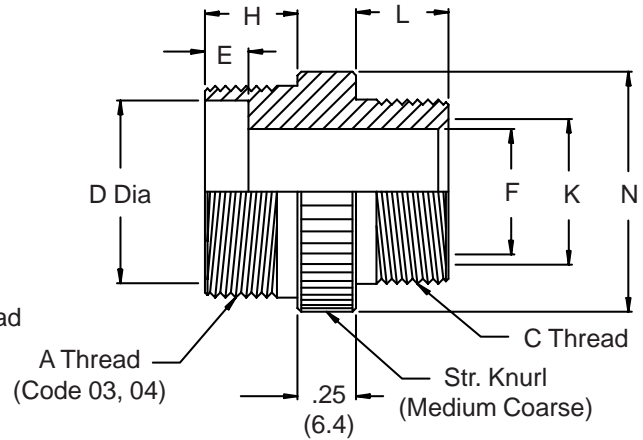


## M24758/10 Adapter for Triaxial Connectors

### M24758/10-16-01-01-A



**STYLE 01**  
ADAPTER WITH  
INTERNAL "A" THREAD



**STYLE 02**  
ADAPTER WITH  
EXTERNAL "A" THREAD

1. The M24758/10 adapter couples triaxial connectors to M24758/2, M24758/3 or M24758/4 fittings.
2. Metric dimensions (mm) are indicated in parentheses.
3. For complete dimensions see applicable Military Specification.

## M24758/10 Adapter for Triaxial Connectors



Conduit & Accessories

**TABLE I**

Conduit Size Code	C Thread (Class 2A)	L ±.02 (.5)	K Dia Min.	N Dia ±.02 (.5)
02	0.438 - 28 UNEF	.210 (5.3)	.250 (6.4)	.687 (17.4)
03	0.563 - 24 UNEF	.250 (6.4)	.370 (9.4)	.812 (20.6)
04	0.688 - 24 UNEF	.250 (6.4)	.500 (12.7)	.937 (23.8)
05	0.813 - 20 UNEF	.310 (7.9)	.620 (15.7)	1.062 (27.0)
06	0.938 - 20 UNEF	.310 (7.9)	.750 (19.1)	1.187 (30.1)
08	1.250 - 18 UNEF	.370 (9.4)	1.000 (25.4)	1.500 (38.1)
10	1.563 - 18 UNEF	.370 (9.4)	1.250 (31.8)	1.812 (46.0)
12	1.875 - 16 UN	.430 (10.9)	1.500 (38.1)	2.125 (54.0)
16	2.375 - 16 UN	.430 (10.9)	2.000 (50.8)	2.625 (66.7)
20	2.875 - 16 UN	.430 (10.9)	2.500 (63.5)	3.125 (79.4)
24	3.375 - 16 UN	.430 (10.9)	3.000 (76.2)	3.625 (92.1)

**TABLE II (MIL-DTL-5015 Connector Code)**

A Thread Code	Connector Part Number		A Thread	D Dia Min.	E Min.	F Dia Min.	N Dia		Cable Reference	
	ITT/Cannon	Formerly Greomar					±.02 (.5)	(.5)	Type	OD ±.02 (.5)
01	152105-2380	5633	0.750 - 16 UNF Class 2B	.875 (22.2)	--	.297 (7.5)	.562 (14.3)	RG-233/U	.216 (5.5)	
								RG-58C/U	.195 (5.0)	
02	152100-2390	7991	0.875 - 20 UNEF Class 2B	1.000 (25.4)	--	.515 (13.1)	.500 (12.7)	RG-214/U	.425 (10.8)	
								RG-98/U	.420 (10.7)	
03	152190-0000	16312	1.063 - 18 UNEF Class 2A	.922 (23.4)	.187 (4.7)	.564 (14.3)	.312 (7.9)	RG-14A/U	.545 (13.8)	
								RE-293A/U	.545 (13.8)	
								*TRF-8	.500 (12.7)	
								RG-14A/U	.545 (13.8)	
04		11865	1.063 - 18 UNEF Class 2A	.922 (23.4)	.227 (5.8)	.564 (14.3)	.335 (8.5)	RE-293A/U	.545 (13.8)	
								*TRF-8	.500 (12.7)	

\* Times Wire and Cable Co.