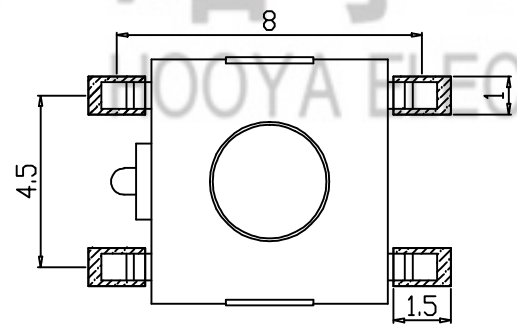
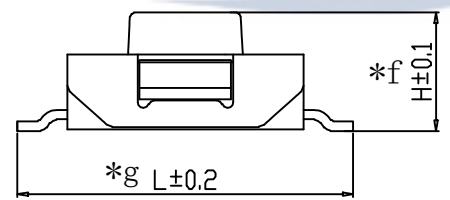
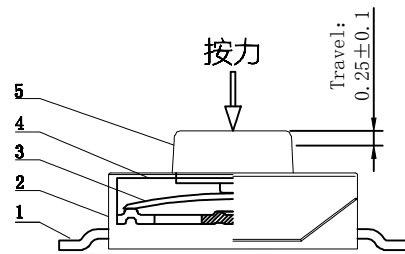
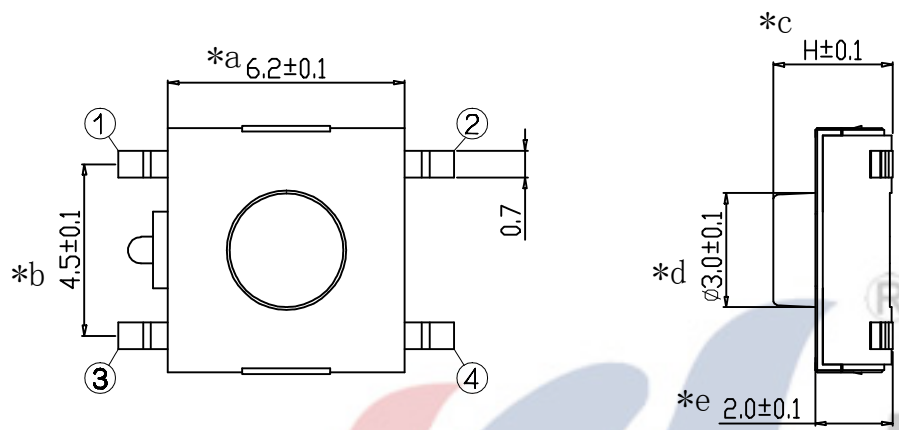


电路图



PCB板焊盘尺寸

力度	
A	100gf±40gf
B	130gf±40gf
C	160gf±40gf
D	200gf±50gf
E	250gf±50gf

高度	
H=2.5mm	
H=2.7mm	
H=3.1mm	
H=3.4mm	
H=3.7mm	
H=3.8mm	
H=4.3mm	
H=4.5mm	
H=4.8mm	
H=5.0mm	
H=5.2mm	
H=5.5mm	

					TOLERANCE UNLESS SPECIFIED								
					UP TO 5mm: ±0.1	ANGULAR ±1°	1	2021.6.30	更新图纸		WM		
					ABOVE 5mm: ±0.2		NO	DATE	REVISIONS		BY APPD		
5	STEM	PPA	1	BLACK/GULES	TITLE: TACT SWITCH			UNIT : MM	ROHS COMPLIANT	DWN			
4	COVER	SUS	1		MODEL: TS-1157-031E			SCALE: 1:1		CHK'D			
3	CONTACT	SUS	1	Ag-Plated	HAOYU(HONGKONG)LIMITED 皓宇(香港)有限公司						APPD		
2	CASE	PPA	1	BLACK									
1	TERMINAL	BRASS	4	Ag-Plated							PRO.AGL:		REV :A1
NO.	PART NAME	MATERIAL	QTY	FINISHING									