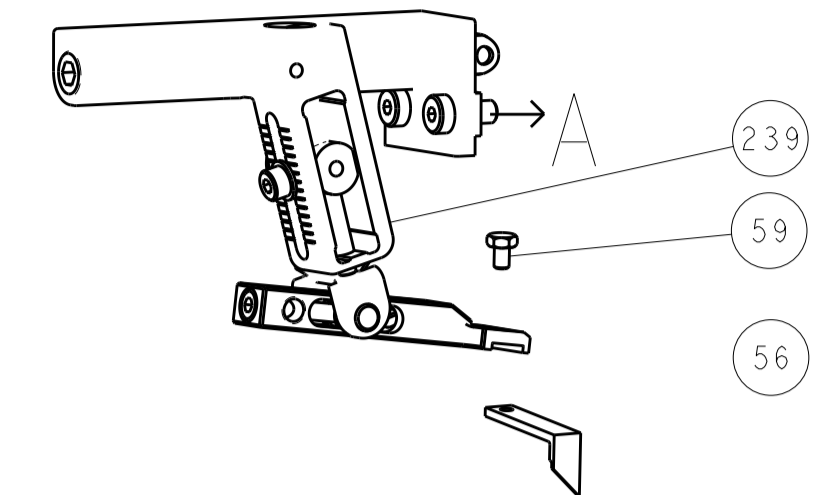


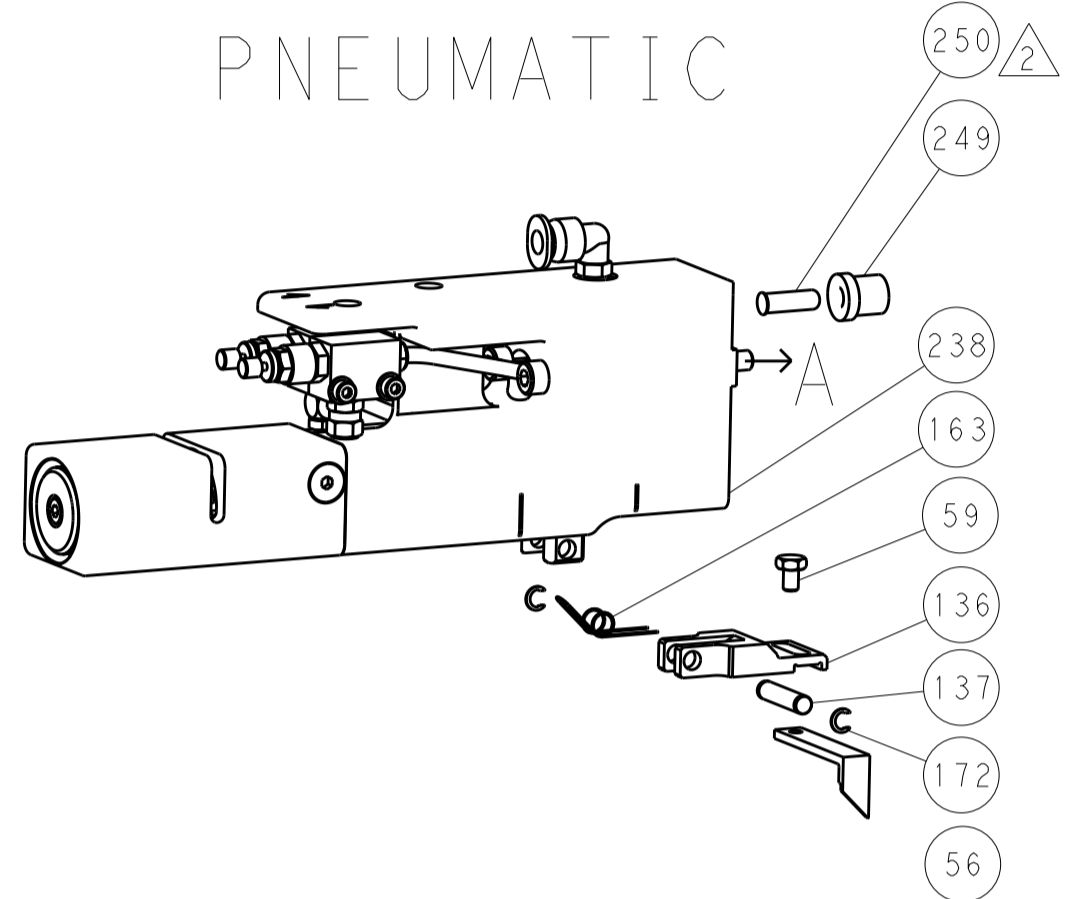


LOC	DIST	REV	DATE	BY	APPV
A	66				

### FEED TYPE MECHANICAL



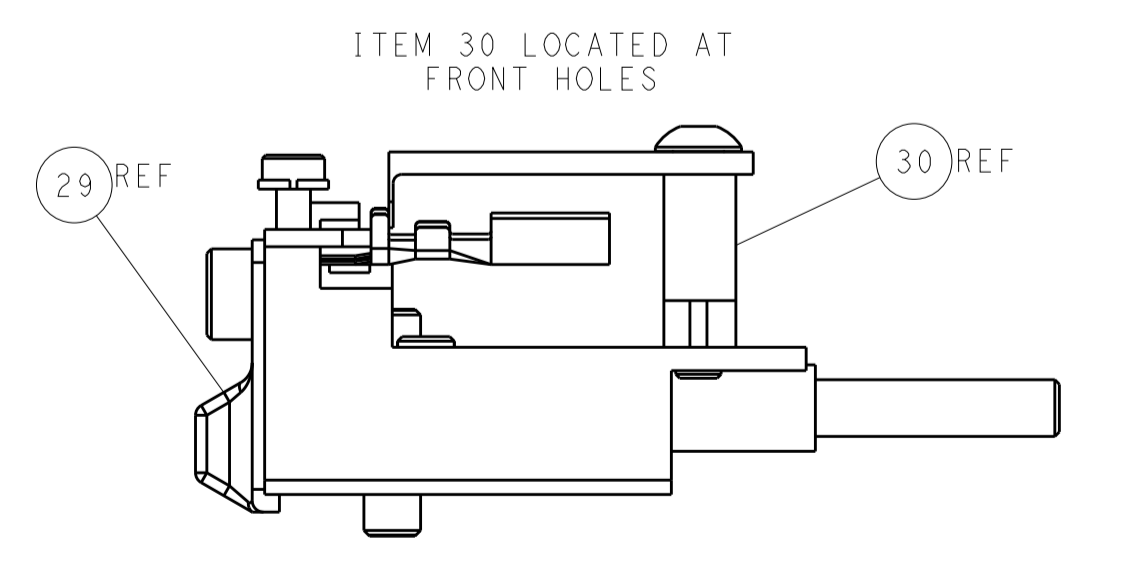
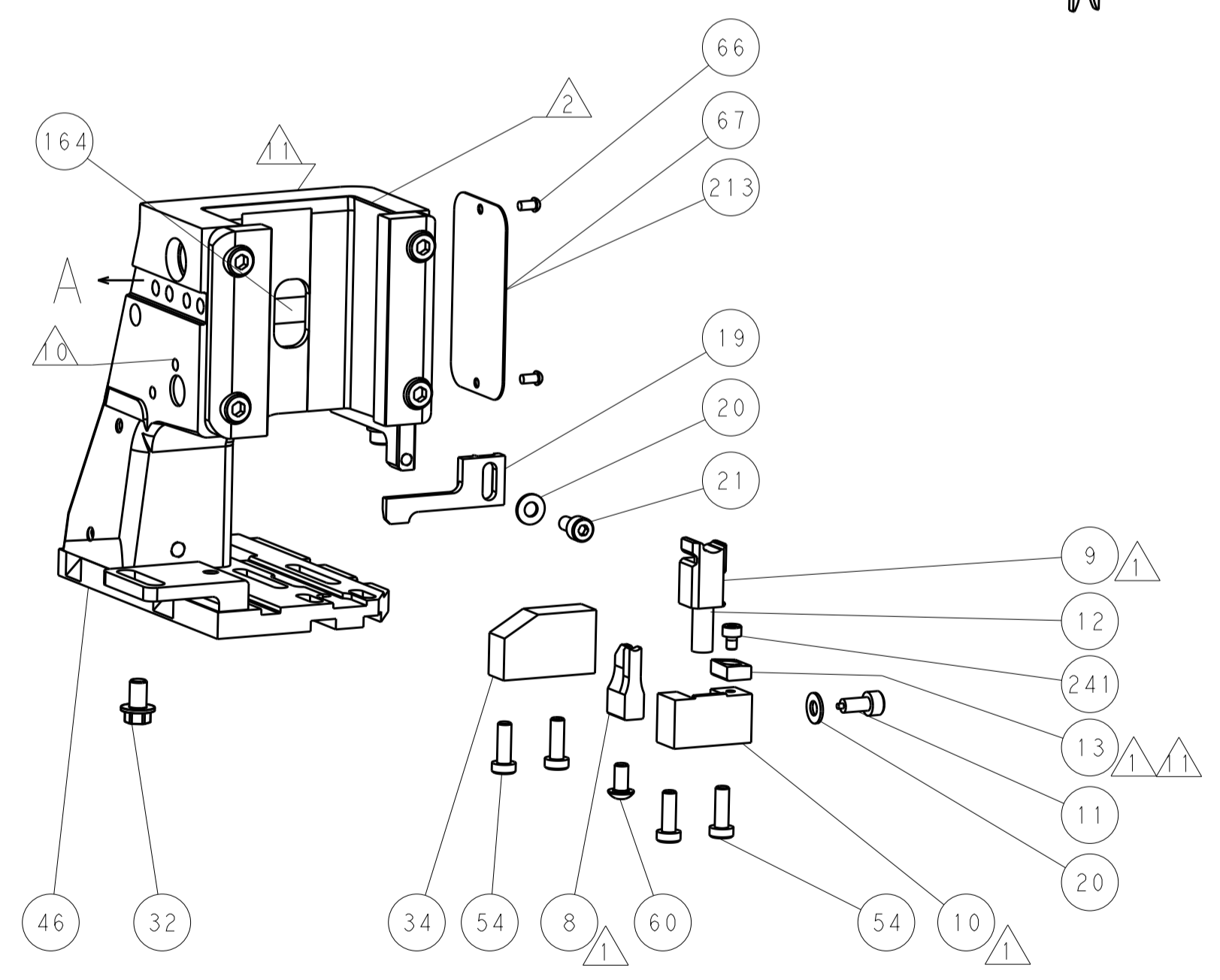
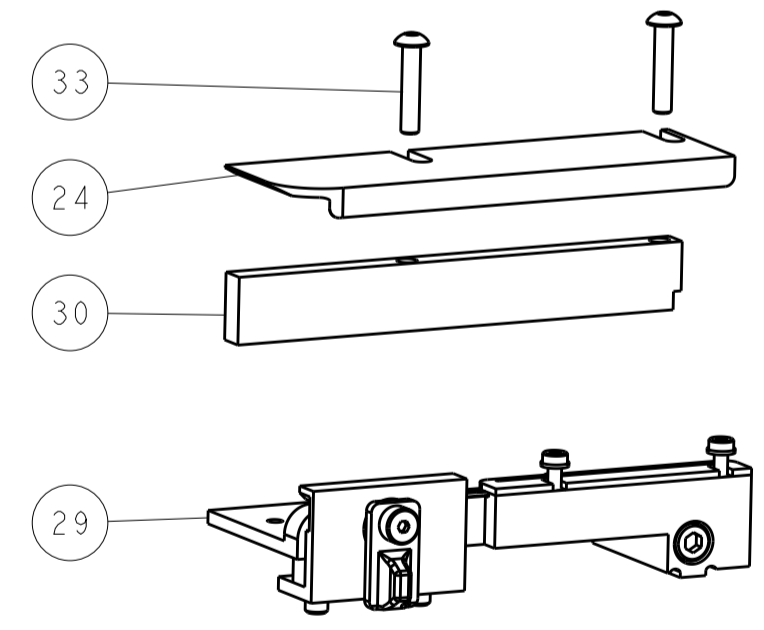
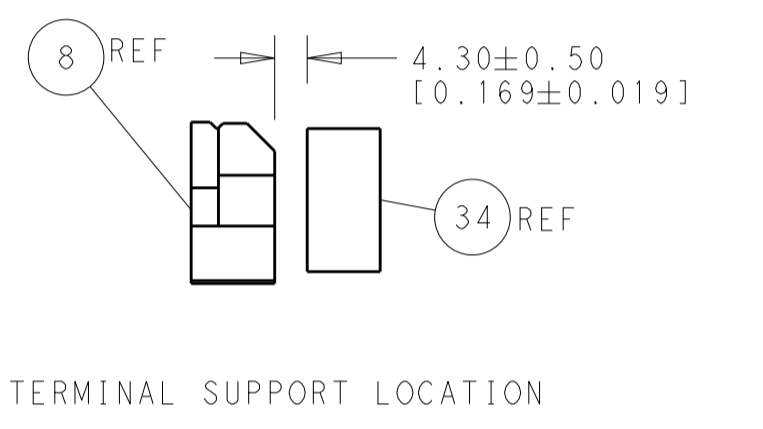
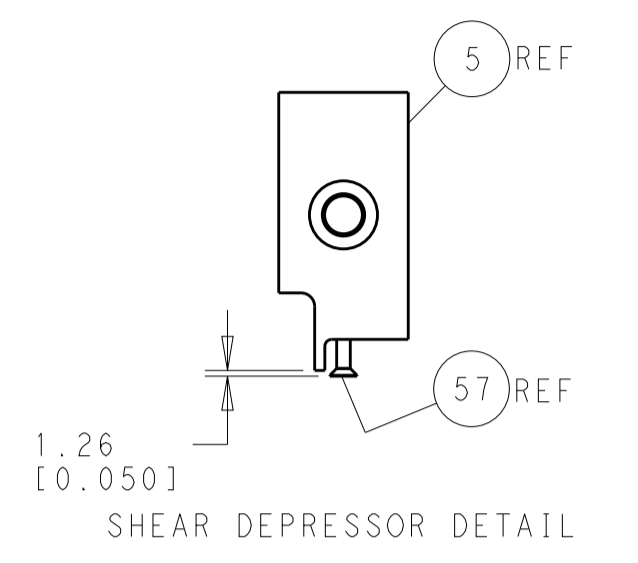
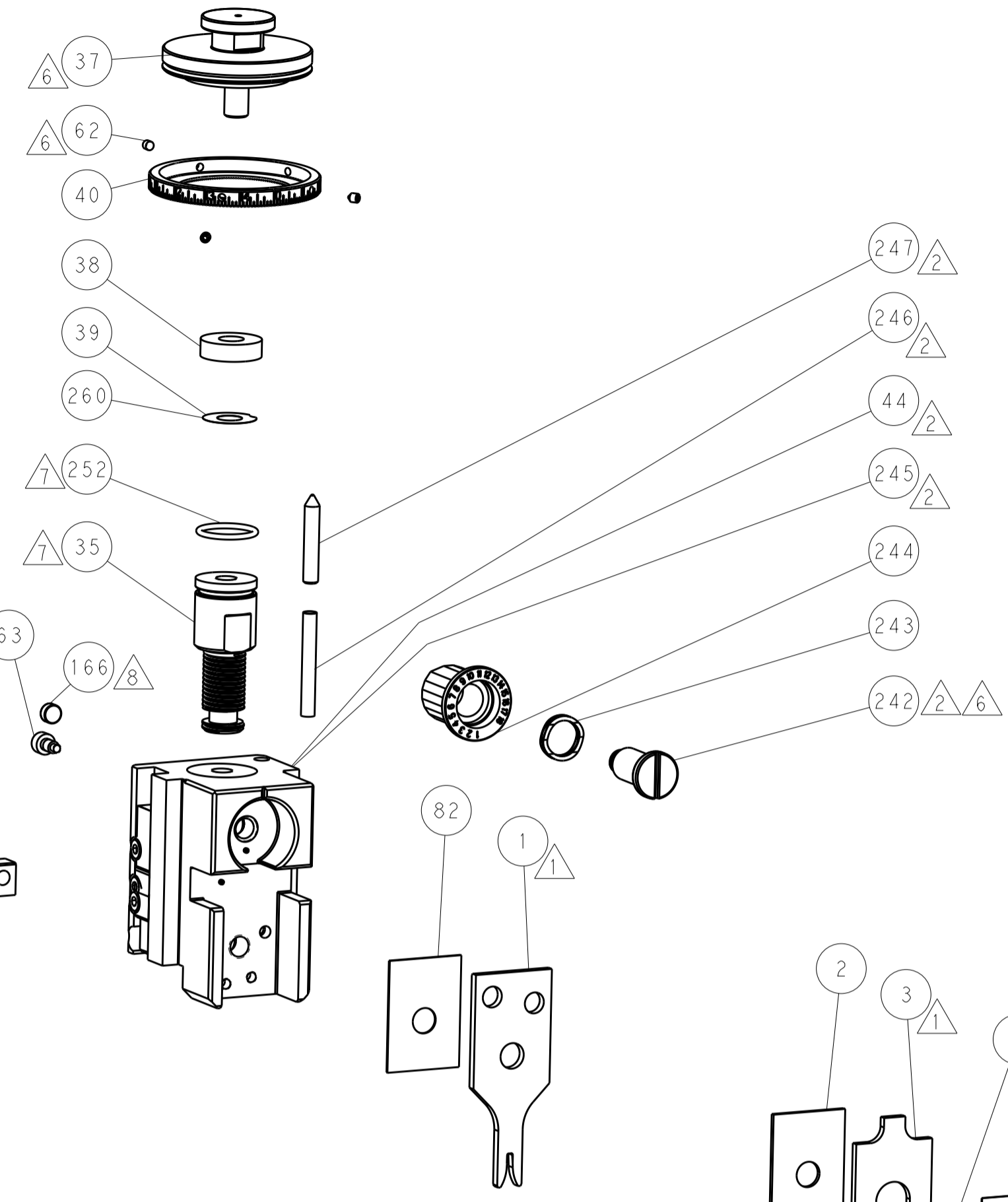
### PNEUMATIC



### SERVO LATCH PLATE



### CAM POSITIONS



**ATLANTIC VERSION**  
 Shown on sheets 1 of 4 & 2 of 4  
 (Pacific version shown on sheets 3 of 4 & 4 of 4)

DIMENSIONS: mm		TOLERANCES UNLESS OTHERWISE SPECIFIED:		OWN: BOB HIGMAN 07JUL2014		TE Connectivity	
0 PLC ±0.5		1 PLC ±0.5		CHK: T. ELBIN 07JUL2014		Harrisburg, PA 17105-3608	
2 PLC ±0.13		3 PLC ±0.013		APPV: D. STOUGH 07JUL2014		NAME: Ocean Side Feed Applicator	
4 PLC ±0.001		ANGLES ±0.001		PRODUCT SPEC		SIZE: CAGE CODE: DRAWING NO: RESTRICTED TO	
MATERIAL: -		FINISH: -		WEIGHT: -		A1 00779 ©=2266352	
Customer Accessible Production Drawing				SCALE: 1:2		SHEET 2 OF 4 REV A	

Table with columns: PACIFIC VERSION TERMINATOR INTERFACE ADAPTER, PART NUMBER, REVISION, DESCRIPTION, FEED TYPE, CONVERT TO, PART NUMBERS REQUIRED. Includes a diagram of the terminator interface adapter.

APPLICATOR DATA table with columns: CRIMP, SIZE, TYPE. Includes APPLICATOR INSTRUCTIONS 408-10389.

TERMINAL DATA: DELPHI TERMINAL DELPHI CRIMP SPECIFICATION. TERMINAL NAME: DS-TERMINAL WITH SLEEVE, SEALED, LONG. WIRE STRIP LENGTH 4.20-4.97 mm [1.66-.196 IN].

TERMINALS APPLIED table with columns: TE TERMINAL, DELPHI TERMINAL, TE SEAL, DELPHI SEAL, CABLE DIAMETER.

Table with columns: WIRE SIZE, CRIMP HEIGHT mm [INCH], CRIMP HEIGHT REFERENCE SETTING.

- RECOMMENDED SPARE PARTS
GREASE BEARING SURFACES LIGHTLY
LUBRICATE DAILY PER THE APPLICATOR INSTRUCTION SHEET SUPPLIED WITH THE APPLICATOR.
APPLICATOR SPECIFIC DATA TO BE ENTERED INTO BLANK MEMORY CHIP AT ASSEMBLY...

\*WARNING ON INSTALLATION, SET WIRE DISC, ITEM 40 TO LARGEST WIRE SIZE SETTING. USE OF SETTINGS BELOW MINIMUM REQUIRED CRIMP HEIGHT SETTING WILL CAUSE DAMAGE TO CRIMP TOOLING.

PACIFIC VERSION Shown on sheets 3 of 4 & 4 of 4 (Atlantic version shown on sheets 1 of 4 & 2 of 4)

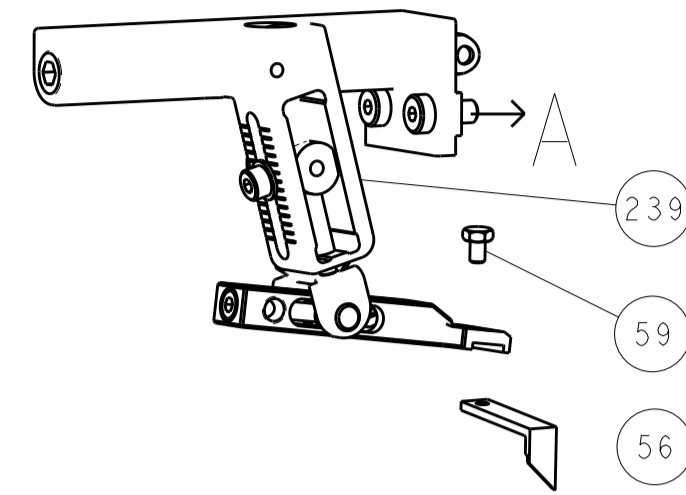
Table with columns: SET UP GAUGE, DIST, REVISIONS. Includes a small diagram of the gauge.

Large table with columns: ITEM NO, DESCRIPTION, PART NO, QTY. Lists various components like FINE ADJUST HEAD ASM, PUSH ROD, BUSHING, SPRING, CAM, WASHER, RETAINER, SCR, SHCS, MECHANICAL FEED ASSEMBLY, AIR FEED MODULE, TAG, IDENTIFICATION, SPACER, FEEDER, RING, RETAIN, EXTERN, MAGNET, COUNTER, SPRING, FEED FINGER, O-RING, FEED CAM, DETENT PIN, SCR, BHSC, SHCS, FEED CAM, POST FEED, APPLICATOR BASIC ASSEMBLY, RAM, BOLT, PIN, HOLDER, MEMORY CHIP, SERVO FEED LATCH ASM, FEED FINGER ASSEMBLY, SPACER, CRIMPER, DOCUMENTATION PACKAGE, TAG, IDENTIFICATION, SCREW, DRIVE, RH, LIMITER, ADJUSTMENT BOLT, SCR, SET, SOC, CONE POINT, SCR, HEX HD CAP, SCR, FLT SKT HD CAP, FEED PAWL, SCR, SKT HD CAP, NUT, HEX, REG, BUMPER, HOLD DOWN, SPACER, TONKER, SCR, SKT HD CAP M4 X 6.0, FEED CAM, PRE FEED, SCR, BHSC, DISC, NUMBERED FA WIRE ADJUSTMENT, APPLICATOR SHIM PACK, RAM WASHER, PRECISION SUPPORT, TERMINAL, SCR, BHSC, HEX HEAD, FLANGED, SPACER, STRIP GUIDE ASSEMBLY, STRIP GUIDE, SPACER, CRIMPER, STRIP GUIDE, SCR, SKT HD CAP, WASHER, FLAT, REG M4, STRIPPER, SIDE FEED, INSERT, SHEAR, SPRING, COMPRESSION, STOP, SHEAR, SHEAR HOLDER, FRONT, FLOATING SHEAR, FRONT, ANVIL, COMBINATION, DEPRESSOR, SHEAR, BLOCK, CRIMPER SPACER, CRIMPER, INSULATION O, SPACER, CRIMPER, CRIMPER, WIRE.

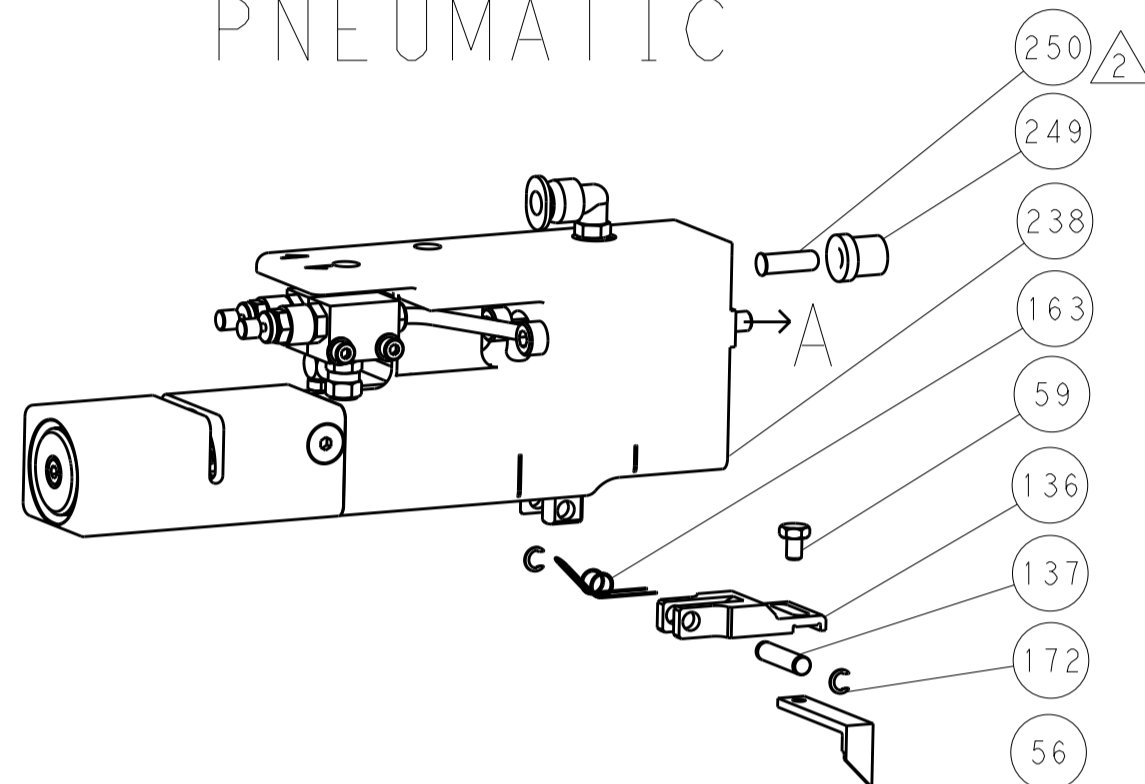
Technical drawing header area including dimensions, tolerances, dimensions, material, finish, weight, scale, and drawing information.

LOC		DIST		REVISIONS			
A	66	P	LTM	DESCRIPTION	DATE	OWN	APVD
		-	-	SEE SHEET 1	-	-	-

# FEED TYPE MECHANICAL



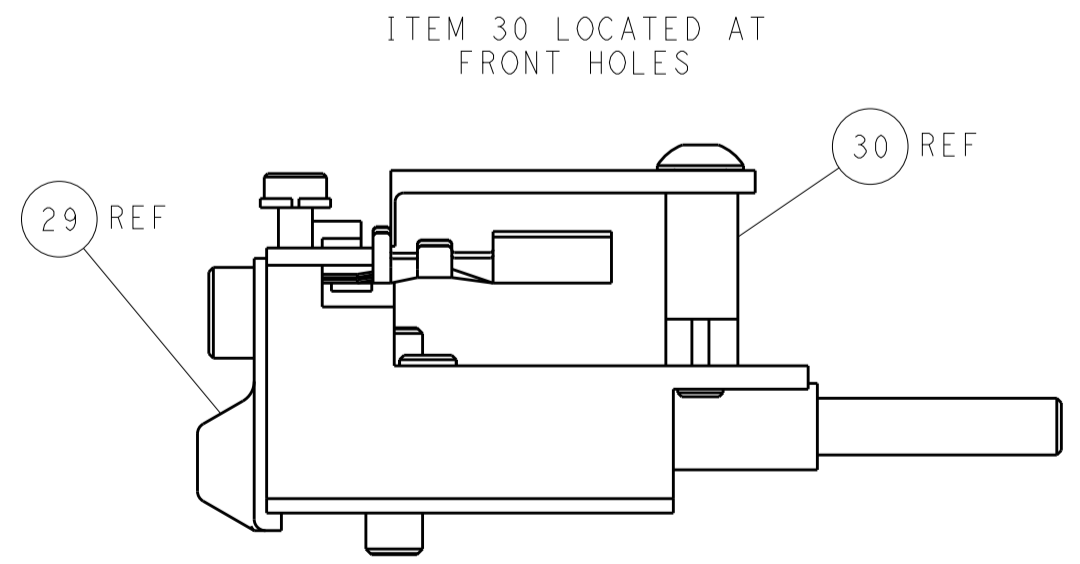
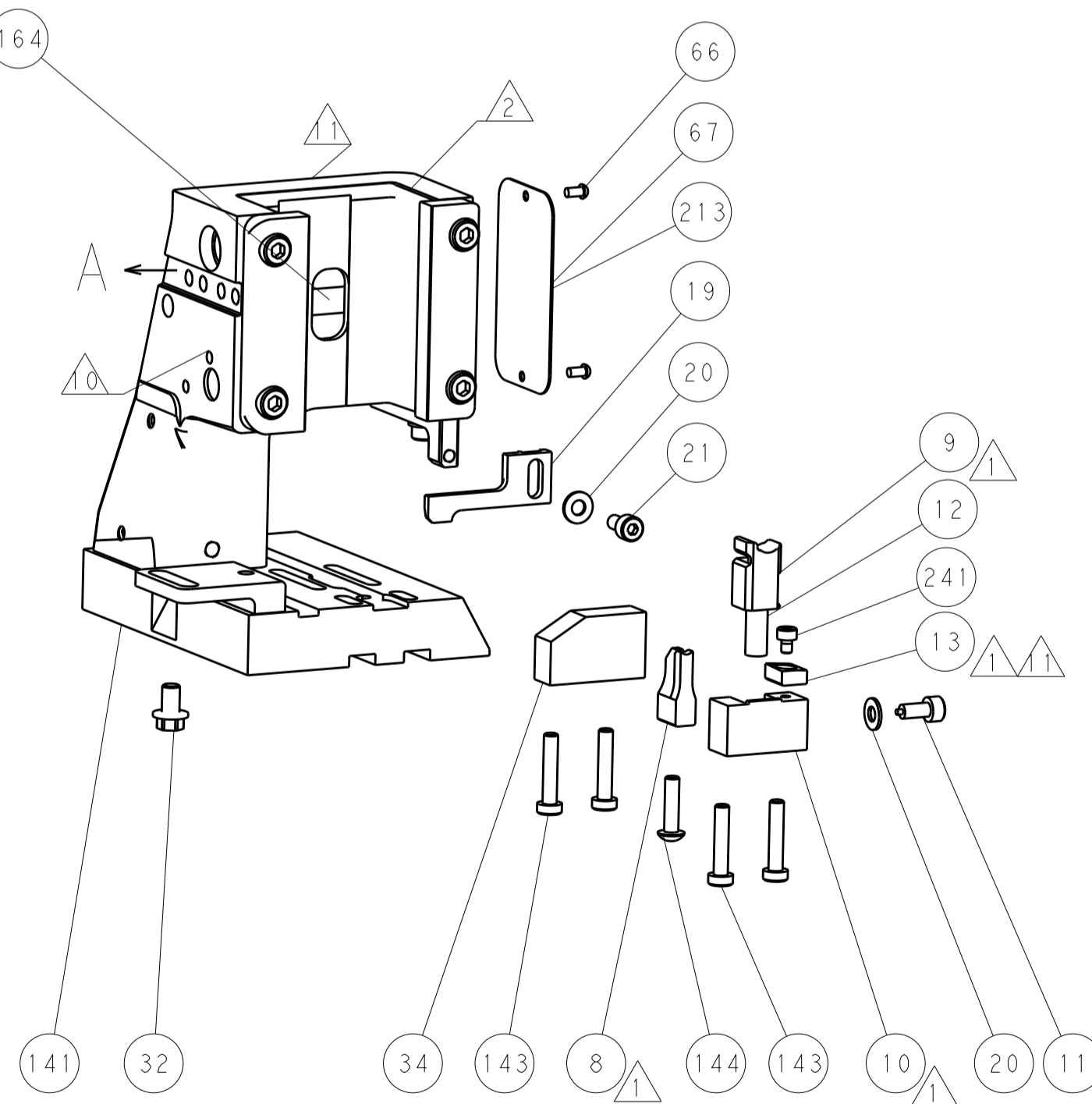
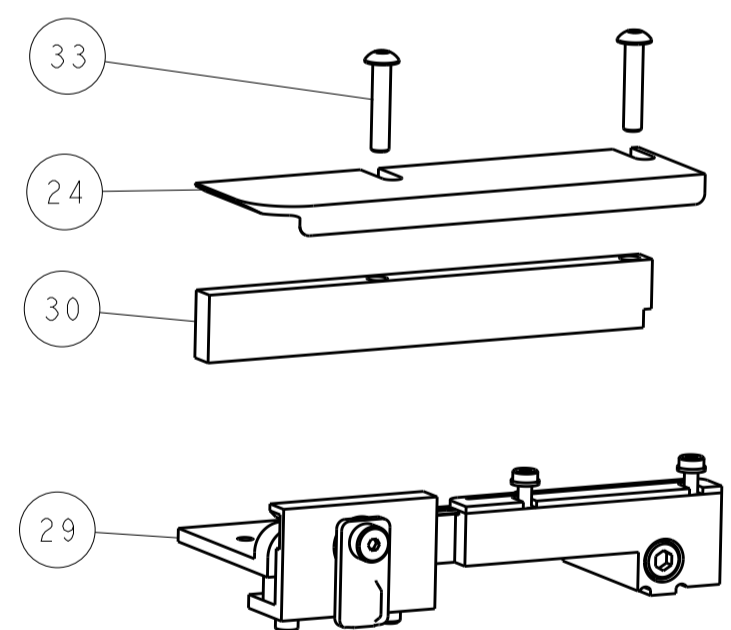
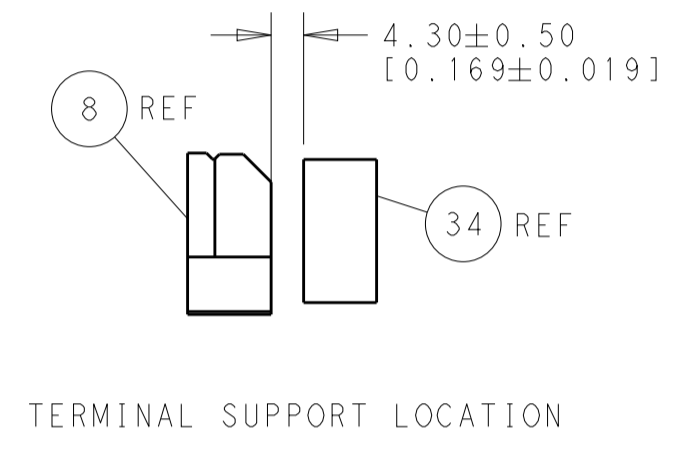
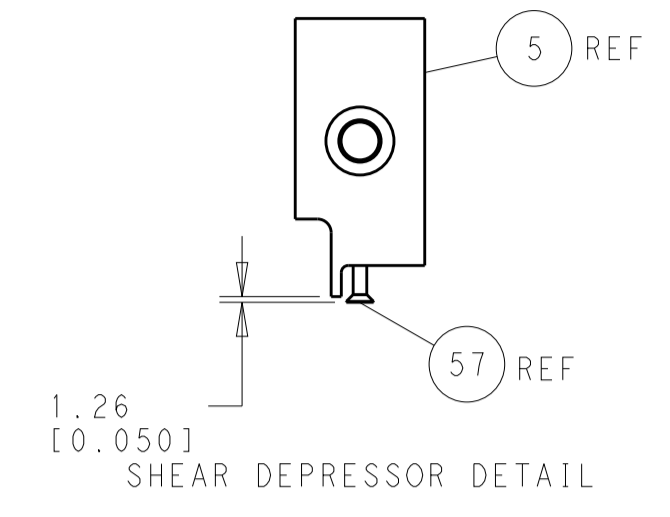
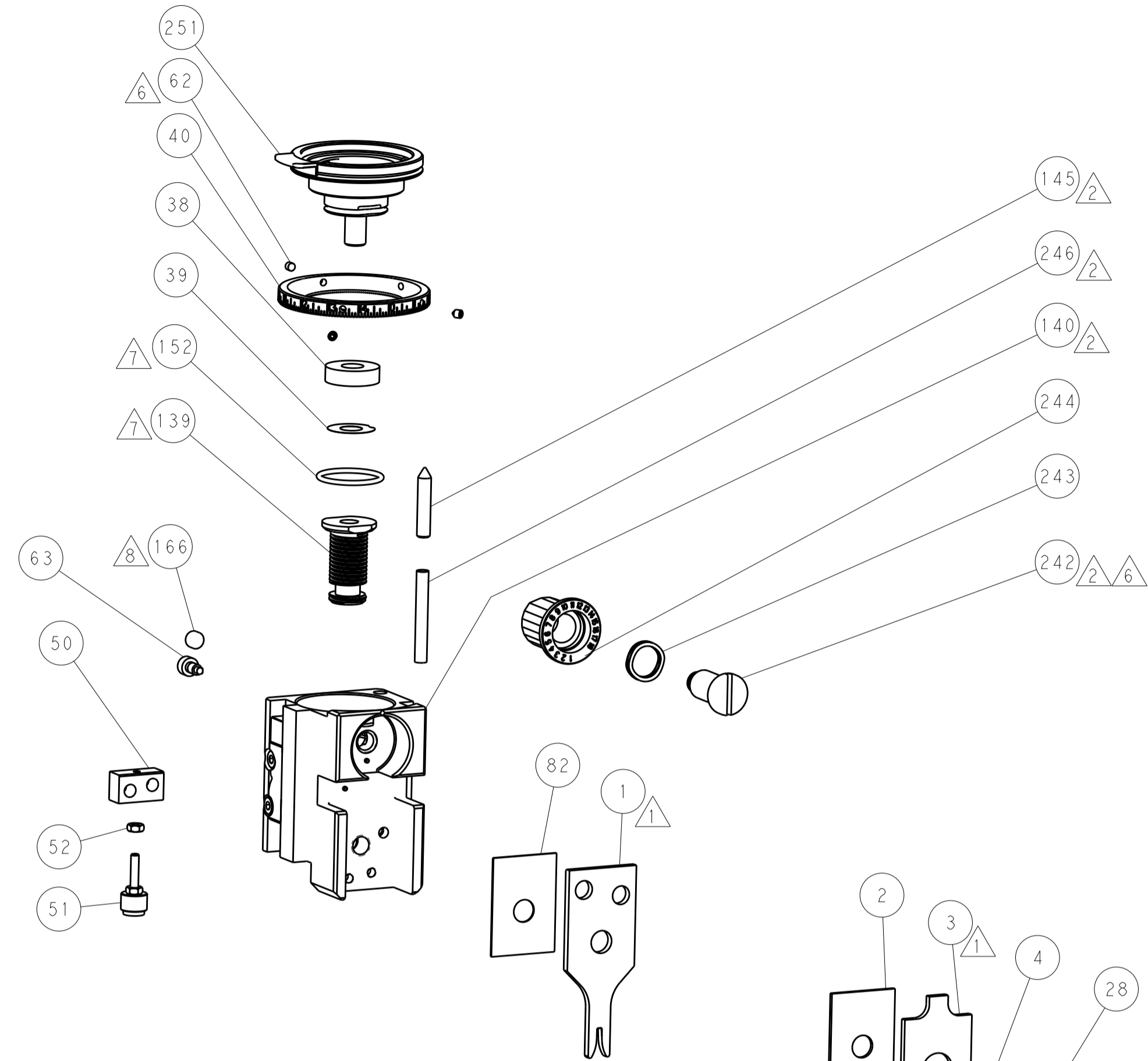
# PNEUMATIC



# SERVO LATCH PLATE



# CAM POSITIONS



**PACIFIC VERSION**  
 Shown on sheets 3 of 4 & 4 of 4  
 (Atlantic version shown on sheets 1 of 4 & 2 of 4)

DIMENSIONS:		TOLERANCES UNLESS OTHERWISE SPECIFIED:		OWN: BOB HIGMAN 07JUL2014		TE Connectivity	
mm	0 PLC ±0.5	1 PLC ±0.5	2 PLC ±0.13	3 PLC ±0.013	4 PLC ±0.001	APVD: T. ELBIN 07JUL2014	Harrisburg, PA 17105-3608
MATERIAL:		FINISH:		NAME: Ocean Side Feed Applicator		RESTRICTED TO:	
				SIZE: A1		CAGE CODE: 00779	
				DRAWING NO: C=2266352		SCALE: 1:2	
				SHEET: 4		REV: A	