

# ADSL MAGNETICS

S560-6600-ET

## ELECTRICAL CHARACTERISTICS (@25°C)

NOMINAL TURNS RATIO:	
(8-6) : (1-4)	1 : 2
CONNECT TERMINALS 2 TO 3 & 5 TO 7	
DC RESISTANCE:	
(1-3)	0.5 Ω MAX
(2-4)	0.5 Ω MAX
(7-6)	0.38 Ω MAX
(8-5)	0.22 Ω MAX

INDUCTANCE @ 10 kHz, 0.1 V <sub>rms</sub> :	
(1-4)	410 μH ±5%
CONNECT TERMINALS 2 TO 3	

MAXIMUM LEAKAGE INDUCTANCE:	
(1-4)	5 μH
CONNECT TERMINALS 2 TO 3 & 5 TO 7	
SHORT TERMINALS 5, 6, 7 & 8	

DIRECT CAPACITANCE:	
BETWEEN (1-4) & (8-6)	50 pF MAX
CONNECT TERMINALS 2 TO 3 & 5 TO 7	

MINIMUM DIELECTRIC RATING:	
BETWEEN (1-4) & (8-6)	2000 V <sub>rms</sub>
CONNECT TERMINALS 2 TO 3 & 5 TO 7	

COMPLIES WITH UL1950

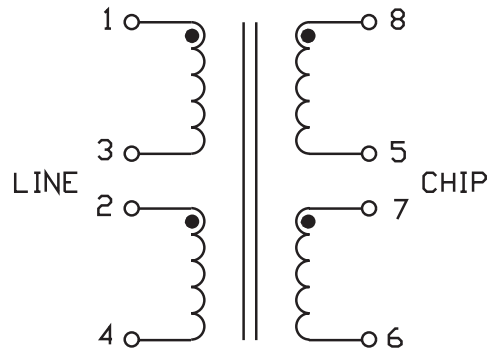
OPERATING TEMPERATURE RANGE: -40°C TO +85°C

DESIGNED TO COMPLY WITH UL1950, EN60950, BABT, CSA950, AND AS/N253260

SUPPLEMENTARY INSULATION FOR A PRIMARY CIRCUIT AT 250 V<sub>rms</sub> WORKING VOLTAGE

DESIGNED TO COMPLY WITH GR-1089-CORE SECOND LEVEL LIGHTNING SURGE

## SCHEMATIC



## PERFORMANCE SPECIFICATIONS

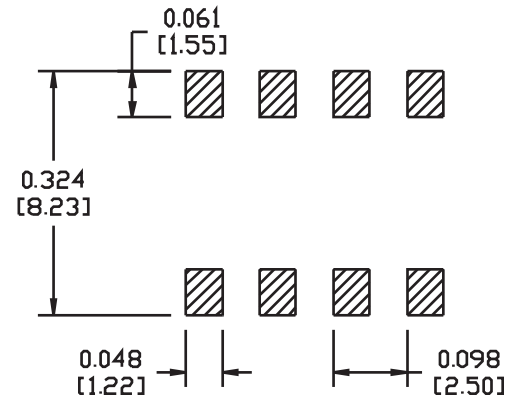
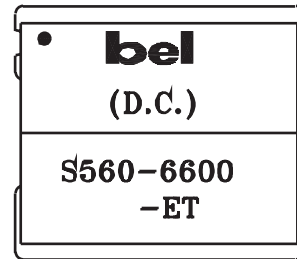
LONGITUDINAL BALANCE:  
50dB MIN, 20 kHz - 1.1 MHz

TOTAL HARMONIC DISTORTION:  
+5 dBm @ 5 kHz ACROSS 100Ω LOAD ON LINE SIDE  
ALL HARMONICS SHOULD BE 61 dB BELOW THE  
FUNDAMENTAL



## ADSL MAGNETICS

S560-6600-ET



SUGGESTED PAD LAYOUT

