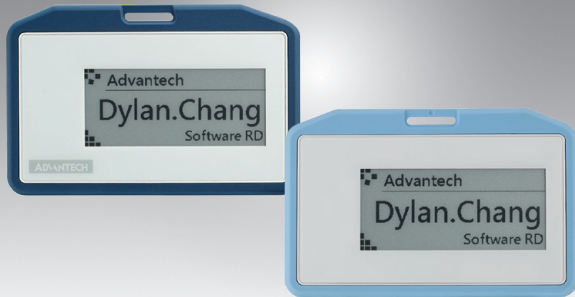


EPD-210

2.9" ePaper Display (Batteryless)

NEW



EPD-210-001 ▲

EPD-210-101 ▲

Features

- 2.9" ePaper with black and white colors
- Sunlight-readable display with 180-degree viewing angle
- Supports data transmissions via NFC
- Batteryless design, powered by reader
- Flexible fastener that can be easily customized for various applications
- Ready NFC Agent to communicate with EPD server for automation process

Introduction

EPD-210 is an ePaper Display that represents a new generation of environmentally friendly products. The EPD-210 ePaper Display is designed to replace traditional printed paper and does not require power to maintain the information display. The displayed content can be immediately updated via a handheld NFC device or reader for convenient usage. Additionally, the EPD-210 ePaper Display can be employed as visitor badges, manufacturing route cards, and logistics labels, and used at exhibitions and factories or in education and IoT applications.

Specifications

Display Size	2.9"
Display Area	66.9 x 29.06 mm (2.63 x 1.14 in)
Display Colors	Black and white
Resolution	296 x 128 pixels
DPI	112
Dimensions	101 x 58 x 4.0 mm (3.97 x 2.28 x 0.15 in) without fastener
Weight	36 g (0.079 lb)
Protocols	ISO/IEC 15693 type (ePaper image / User data read and write) ISO/IEC 14443 type (read only)
Frequency	13.56 MHz
Power Supply	Powered by reader
Operating Temperature	0 ~ 40 °C (32 ~ 104 °F)
IP Rating	IP54
User Data	320bytes
EPD Image Storage	4736bytes

NFC Writer /Reader



EPR-210

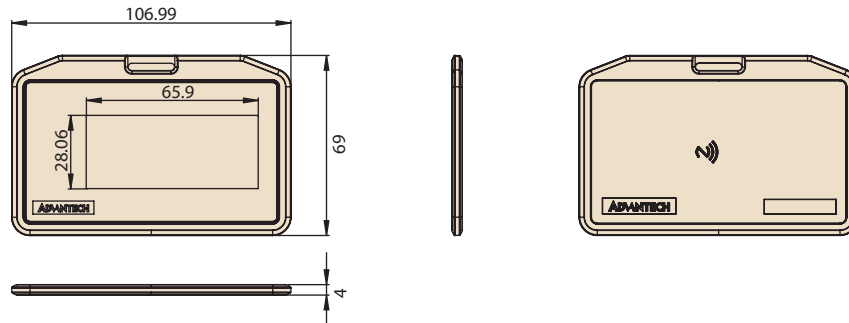
Features

- Part Number: LEO-D30-RD1
- Protocols: ISO 15693/14443(A/B), FeliCa, Mifare
- Frequency: 13.56 MHz (+/-7 KHz)
- RF Output Power: 200 mW
- RF Output Impedance: 50 Ohm
- Input Voltage: 5 V_{DC}
- Host Interface: Micro USB
- Operating Temperature: 0 ~ 70 °C (32 ~ 158 °F)
- Dimensions: 121.5 x 74.2 x 14.5 mm (4.78 x 2.92 x 0.57 in)
- Weight: 37 g (0.081 lb)

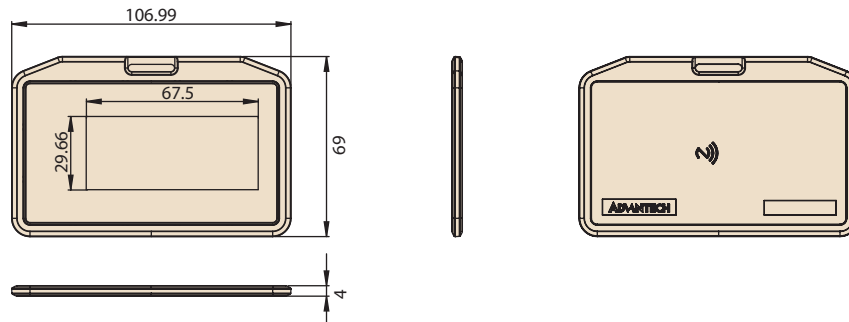
Dimensions

Unit: mm

EPD-210-001



EPD-210-101



Ordering Information

Part Number	Display		Communication		Appearance	
	Size	Colors	Type	Frequency	Front/Back	Fastener
EPD-210-001	2.9"	Black and white	NFC	13.56 MHz	white	blue
EPD-210-101	2.9"	Black and white	NFC	13.56 MHz	white	sky blue