

DRC Series

10-100 WATTS AC/DC DIN RAIL

FEATURES

- 10W - 100W
- DIN rail mountable
- Protection Class II
- Double Isolation (No earth connection required)
- Universal AC input voltage and full power up to 55°C
- Efficiency > 89.0% 230VAC
- NEC Class 2/Limited Power Source (LPS) certified
- Overvoltage/Overcurrent/Over Temperature Protections
- International safety approvals to ITE and Industrial standard



SPECIFICATIONS

OUTPUT	
Output Voltage	5V, 12V, 24V
Voltage Range	5Vdc, 4.75V - 5.25Vdc 12Vdc, 11.5V - 14.5Vdc 24Vdc, 20V - 24.8Vdc
Output Current	See Selection Table
Output Power	10W, 30W, 60W, 100W
Line Regulation	< 1% typ. (@ 90-264 Vac, 100% load)
Load Regulation	< 2% typ. (@ 90-264 Vac, 100% load)
PARD (20MHz)	< 150mVpp
Rise Time	< 100ms @ nominal input (100% load)
Start-up Time	< 3,000ms @ nominal input (100% load)
Hold-up Time	>30ms @ 230Vac (100% load)
Dynamic Response	± 5% @ 10 - 100% load
Start-up	3,000µF Max with Capacitive Loads
INPUT	
Input Voltage	90-264Vac
Input Frequency	47-63Hz
Efficiency	> 82% @ 230Vac at 100% load
Input Current	DRC 10W: < 0.2A @230Vac DRC 30W: < 0.60A @230Vac DRC 60W: < 0.80A @230Vac DRC 100W: < 1.0A @ 230Vac
Leakage Current	< 0.25mA @ 240Vac
PROTECTIONS	
Overvoltage	17.4V & 34.8V+10% SELV Output, Latch-off Mode
Overload/Overcurrent	> 130% of rated load current, Hiccup Mode, Non-Latching (Auto-Recovery)
Over Temperature	> 75C Surrounding Air Temperature @ 100% load, Latch-off Mode
Short Circuit	Hiccup Mode, Non-Latching (Auto-Recovery) when the fault is removed
Degree of Protection	IP20
Protection against Shock	Class 1 with Primary Earth connection
Galvanic Isolation	3.0kVac
MTBF	> 500,000 hrs as per Telcordia SR-332

MECHANICAL	
Case Cover	Plastic
Dimensions / Weight	DRC 10W: 91 x 18 x 55.6mm, 0.065kg DRC 30W: 91 x 53 x 55.6mm, 0.14kg DRC 60W: 91 x 71 x 55.6mm, 0.24kg DRC 100W: 91 x 89.9 x 55.6mm, 0.35kg
Indicator	Green LED (DC OK)
Cooling System	Convection
Input Terminal	2 Pins Rated 300V/25A (DRC10W 16A)
Output Terminal	4 Pins Rated 300V/25A (DRC10W 16A)
Input / Output Wire	DRC 10W: AWG 26-12 DRC 30W: AWG 24-12 DRC 60W: AWG 26-12 DRC 100W: AWG 22-12, AWG 24-12
Mounting Rail	TS35 DIN Rail in accordance with EN 60715
STANDARDS AND APPROVALS	
C-Tick	AS/NZS CISPR11 Group 1 Class A.
Safety	TUV Bauart to EN60950-1, UL/cUL recognized to UL60950-1, CSA C22.2 No. 60950-1, CB scheme to IEC 60950 - 1, Limited Power Source (LPS)
Industrial Control	UL/cUL listed to UL508 and CSA C22.2 No. 107.1-01
CE	In conformance with EMC Directive 2004/108/EC and Low Voltage Directive 2006/95/EC
Materials and Parts	RoHS Directive 2011/65/EU Compliant
EMC	CISPR 22, EN55022, FCC Title 47: Class A* IEC 61000-4-2, IEC 61000-4-3, IEC 61000-4-4, IEC 61000-4-5, IEC 61000-4-6, IEC 61000-4-8, IEC 61000-4-11, IEC 61000-4-12

DRC Series

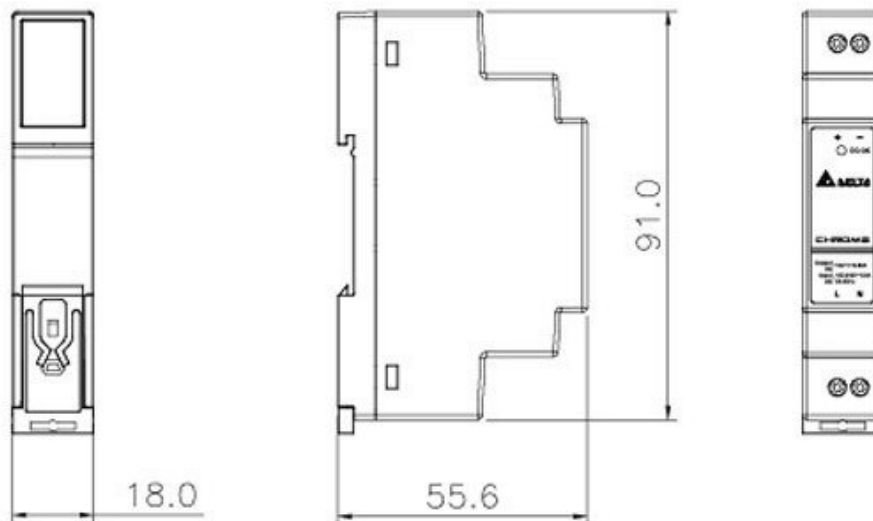
10-100 WATTS AC/DC DIN RAIL

SELECTION TABLE

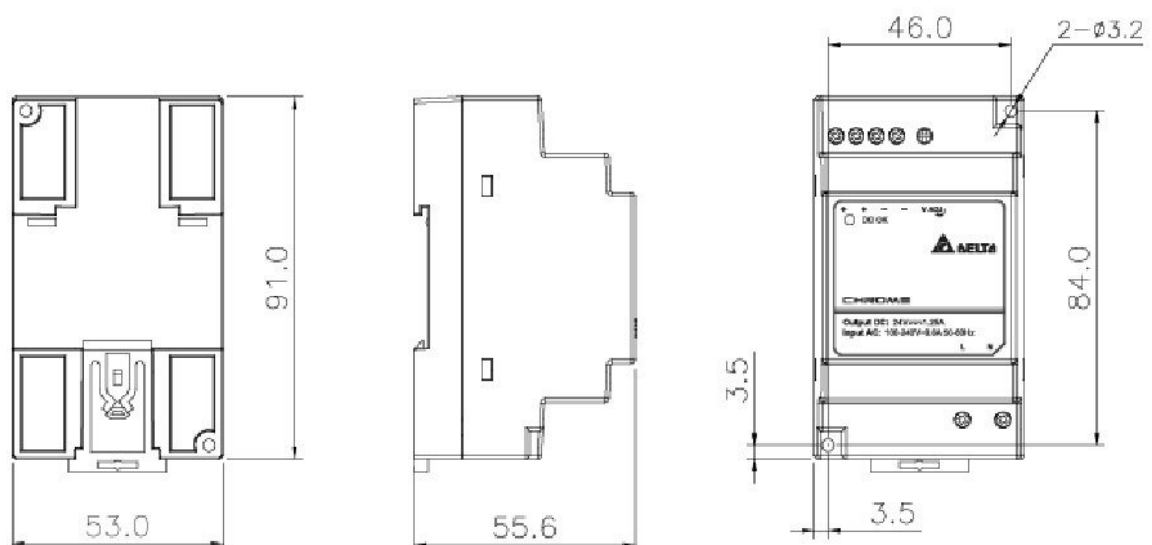
MODEL NUMBER	OUTPUT VOLTAGE	OUTPUT CURRENT	OUTPUT POWER
DRC-5V10W1AZ	5Vdc	1.5A	10W
DRC-12V10W1AZ	12Vdc	0.83A	10W
DRC-12V30W1AZ	12Vdc	2.1A	30W
DRC-12V60W1AZ	12Vdc	5.0A	60W
DRC-24V10W1AZ	24Vdc	0.42A	10W
DRC-24V30W1AZ	24Vdc	1.25A	30W
DRC-24V60W1AZ	24Vdc	2.5A	60W
DRC-24V100W1AZ	24Vdc	3.8A	100W

TECHNICAL ILLUSTRATIONS

10W MODELS



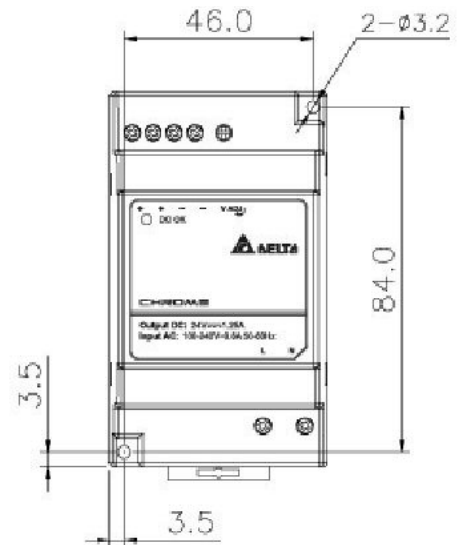
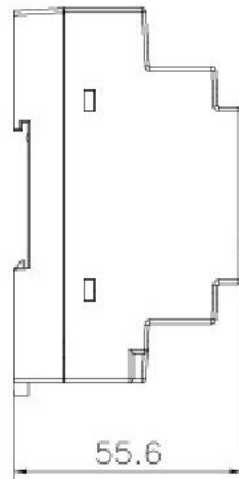
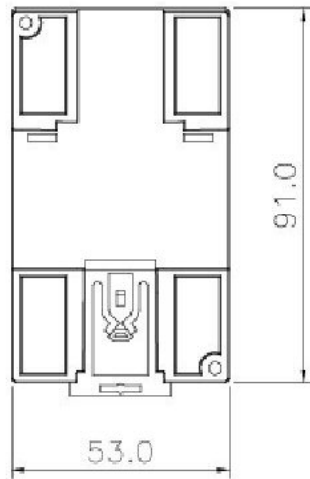
30W MODELS



DRC Series

10-100 WATTS AC/DC DIN RAIL

60W MODELS



100W MODELS

