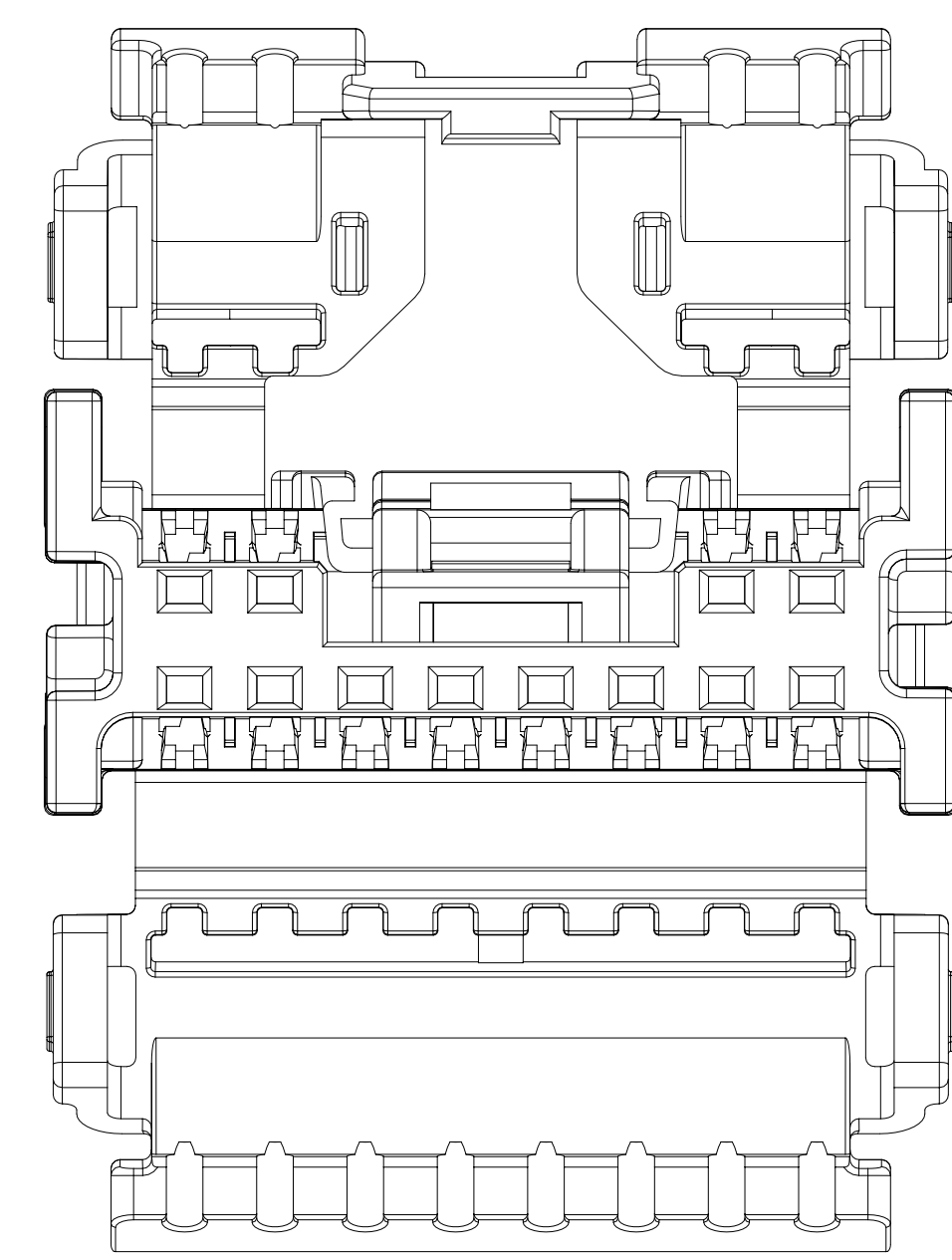
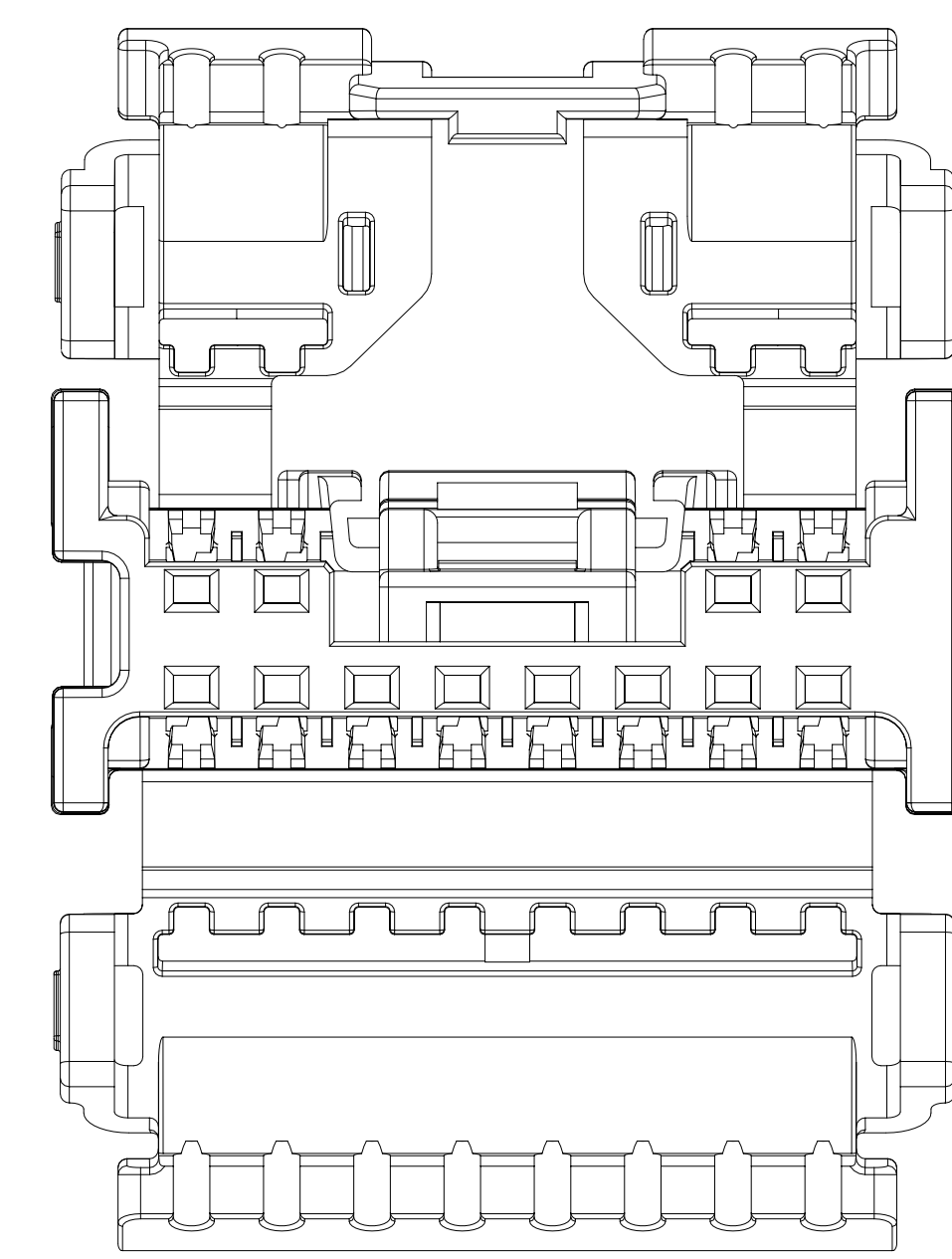


12 CIRCUIT POLARIZATION A



12 CIRCUIT POLARIZATION B

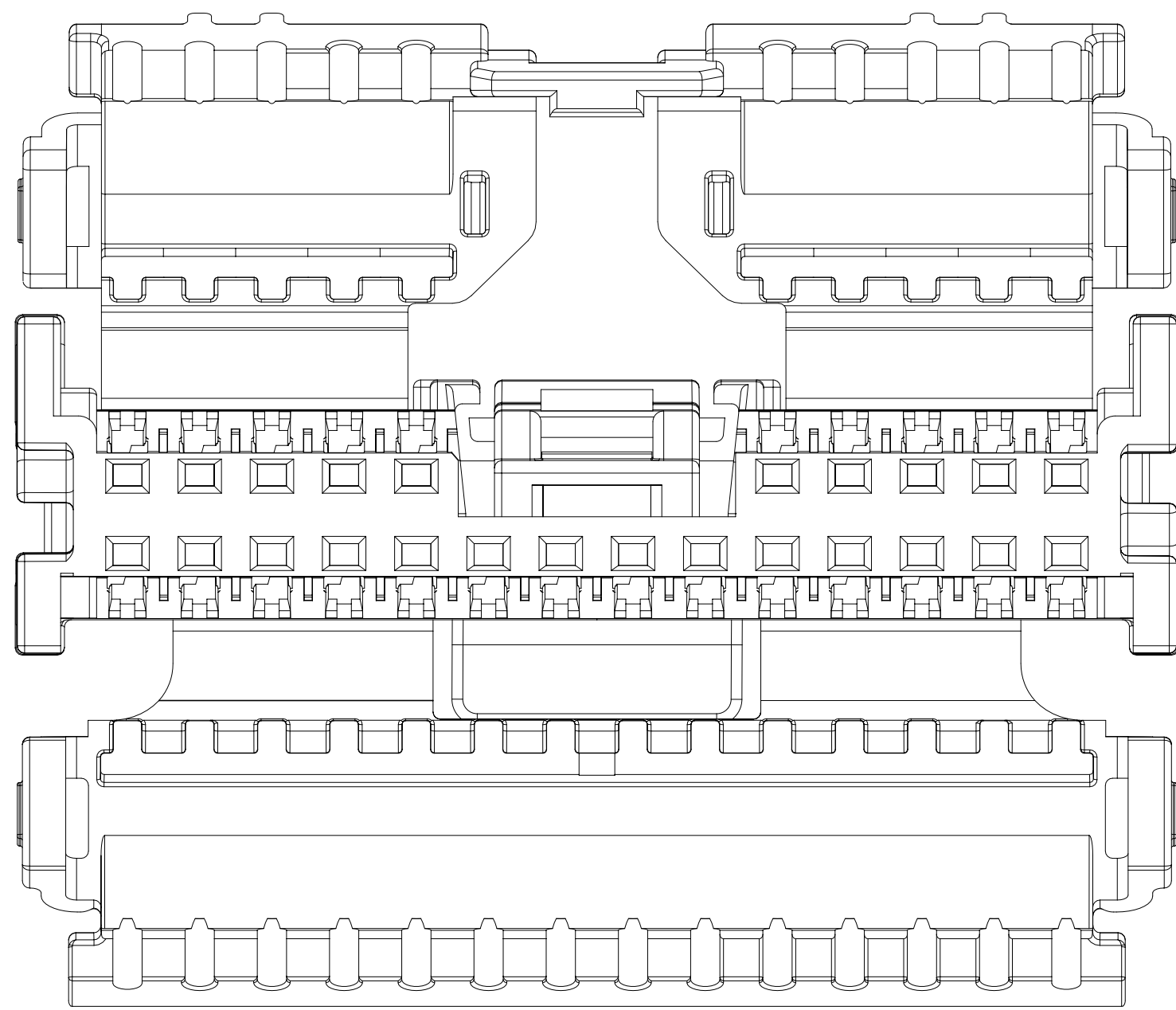


12 CIRCUIT POLARIZATION C

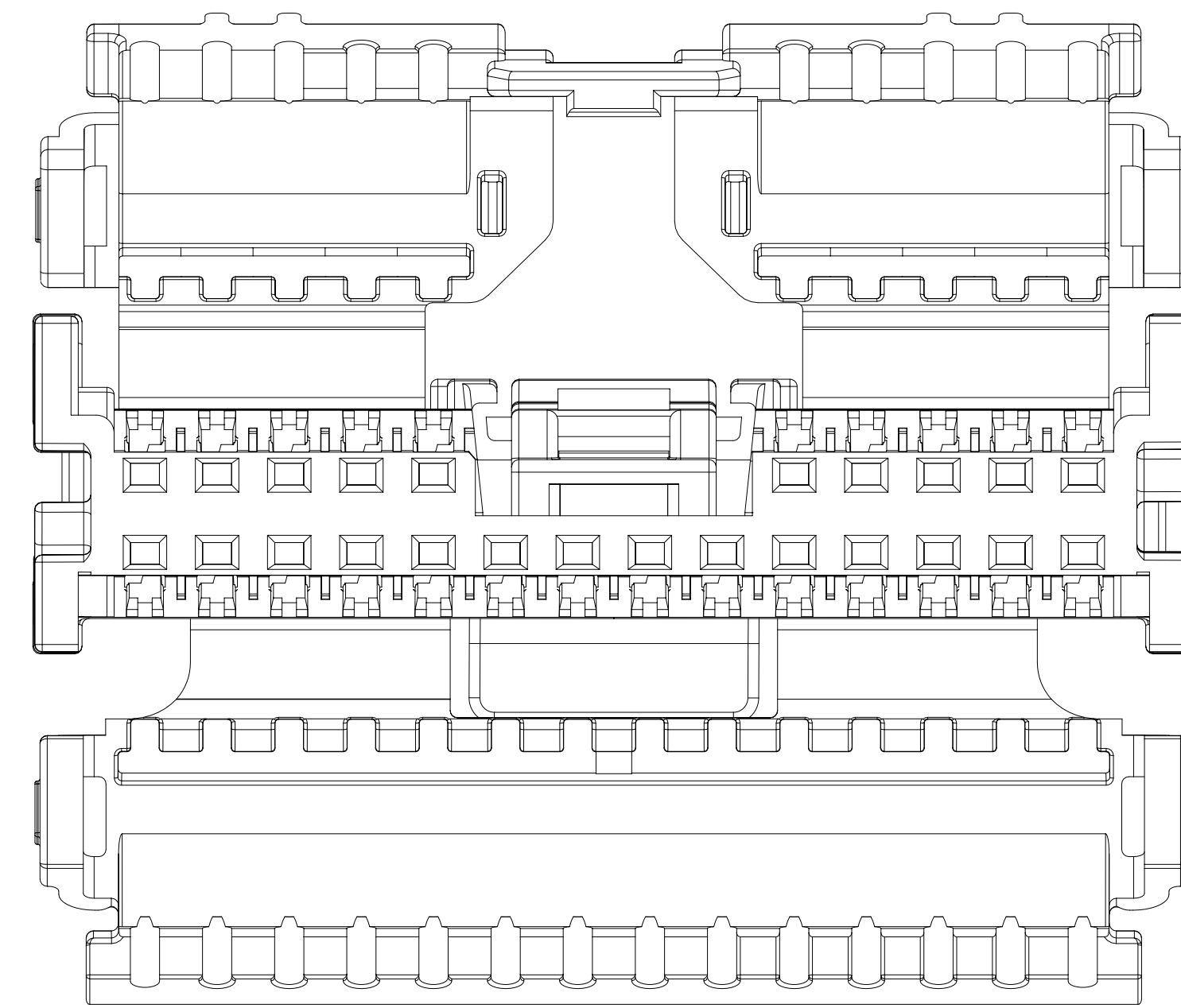
1. GENERAL:
  - a. APPLICATION SPECIFICATION SEE: AS-34791-020
  - b. PRODUCT SPECIFICATION SEE: PS-34791-020
  - c. PACKAGING SPECIFICATION PER MOLEX DRAWING: SEE CHART
  - d. PARTS MUST BE IN COMPLIANCE TO MOLEX CHEMICAL SUBSTANCES FOR PRODUCTS AND PACKAGING SPECIFICATION: QEHS-699000-301
  - e. DATA MUST BE SUBMITTED UNDER THE MOLEX PART NUMBER TO IMDS (COMPANY ID#13255)
  - f. FLAMMABILITY REQUIREMENT: PER ISO3795 OR GM3191
    1. BURN RATE 100 mm/MIN MAXIMUM
    2. MATERIAL MUST BE SELF EXTINGUISHING
  - g. VISUAL DEFECTS SHALL MEET COSMETIC STANDARD PS-45499-002 (Class B)
  - h. FOR TERMINAL USAGE, REFER TO MOLEX SALES DRAWING SD-560023-002
  - j. 16-24CKT PBT PARTS PLANNED FOR OBSOLESCENCE FEB 2021  
ECOPAXX VERSIONS WILL SERVE AS REPLACEMENT

2. DESIGN - MATERIALS: SEE P/N TABLE

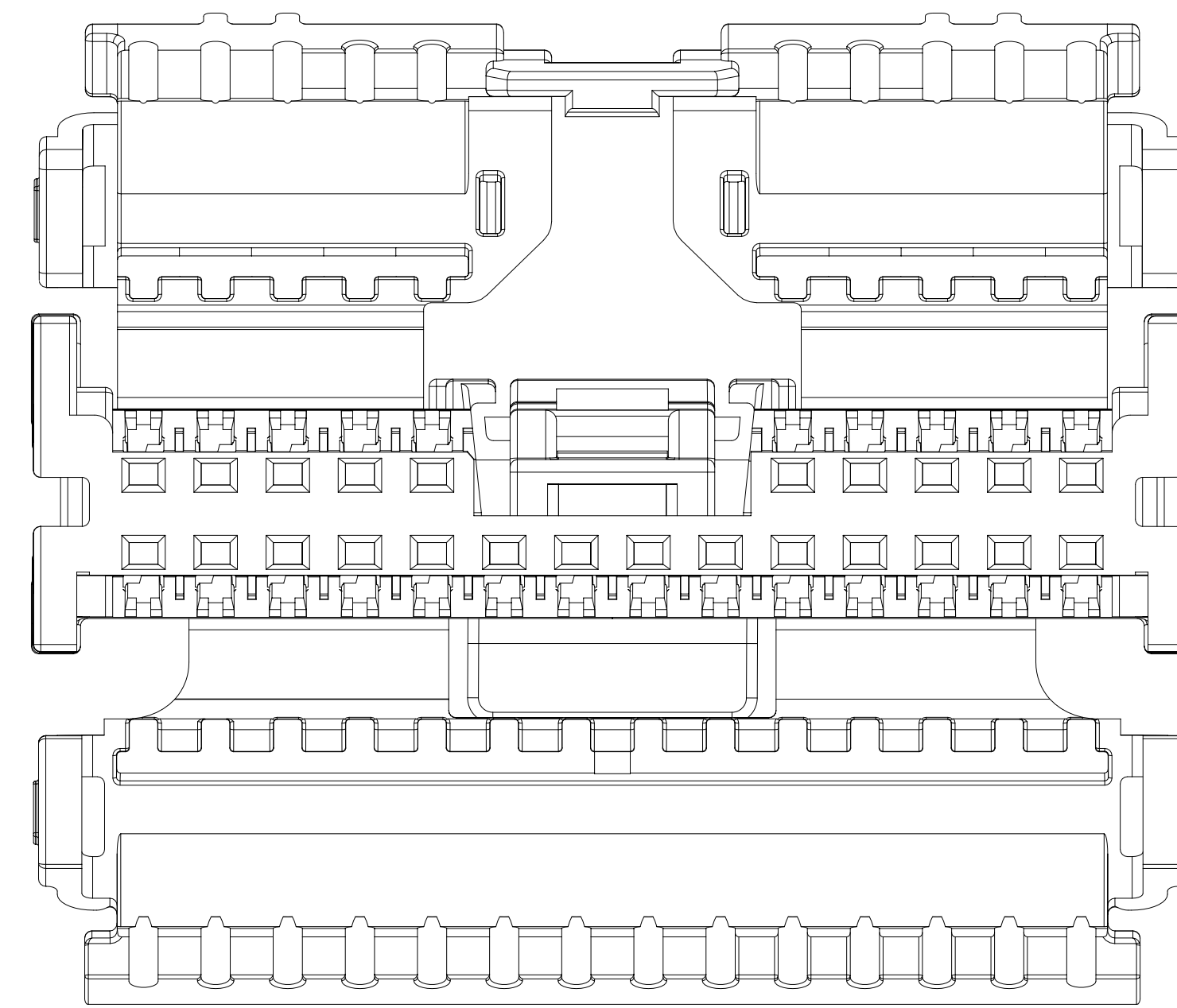
3. DESIGN - GEOMETRY:
  - a. THIS IS A 100% CAD GENERATED PART. THE CAD MATHEMATICAL DATA IS THE MASTER FOR THIS PART. FOR DIMENSIONAL OR ANY INFORMATION NOT SHOWN ON THIS DRAWING, ANALYZE THE CAD MODEL.
  - b. GEOMETRIC DIMENSIONS AND TOLERANCES PER ASME Y14.5M - 2009
  - c. GENERAL TOLERANCES:
    - LINEAR: PER DIN 16901 CODE B FOR PRECISION ENGINEERING (SEE TABLE)
    - ANGULAR:  $\pm 3^\circ$
  - d. EDGES AND UNDIMENSIONED DETAILS PER ISO13715
  - e. CORNERS SHOWN AS SHARP TO BE R 0.2 MAX
  - f. LETTERING SHALL BE 0.1 MAX RAISED IN 0.15 MAX RECESS PAD AND NOT PROTRUDE THE SURFACE. THIS INCLUDES RECYCLING CODE, PLANT AND CAVITY ID, VENDOR ID, CIRCUIT ID, AND PART SERIES NUMBER.
  - g. DIMENSION APPLIES ONLY TO RECEPTACLES WITH LOCK BRIDGE OPTION.
  - h. DIM 9 & 12 TOLERANCE  $+0.30/-0.15$  FOR ALL PA410 RECEPTACLES 16-24CKT.



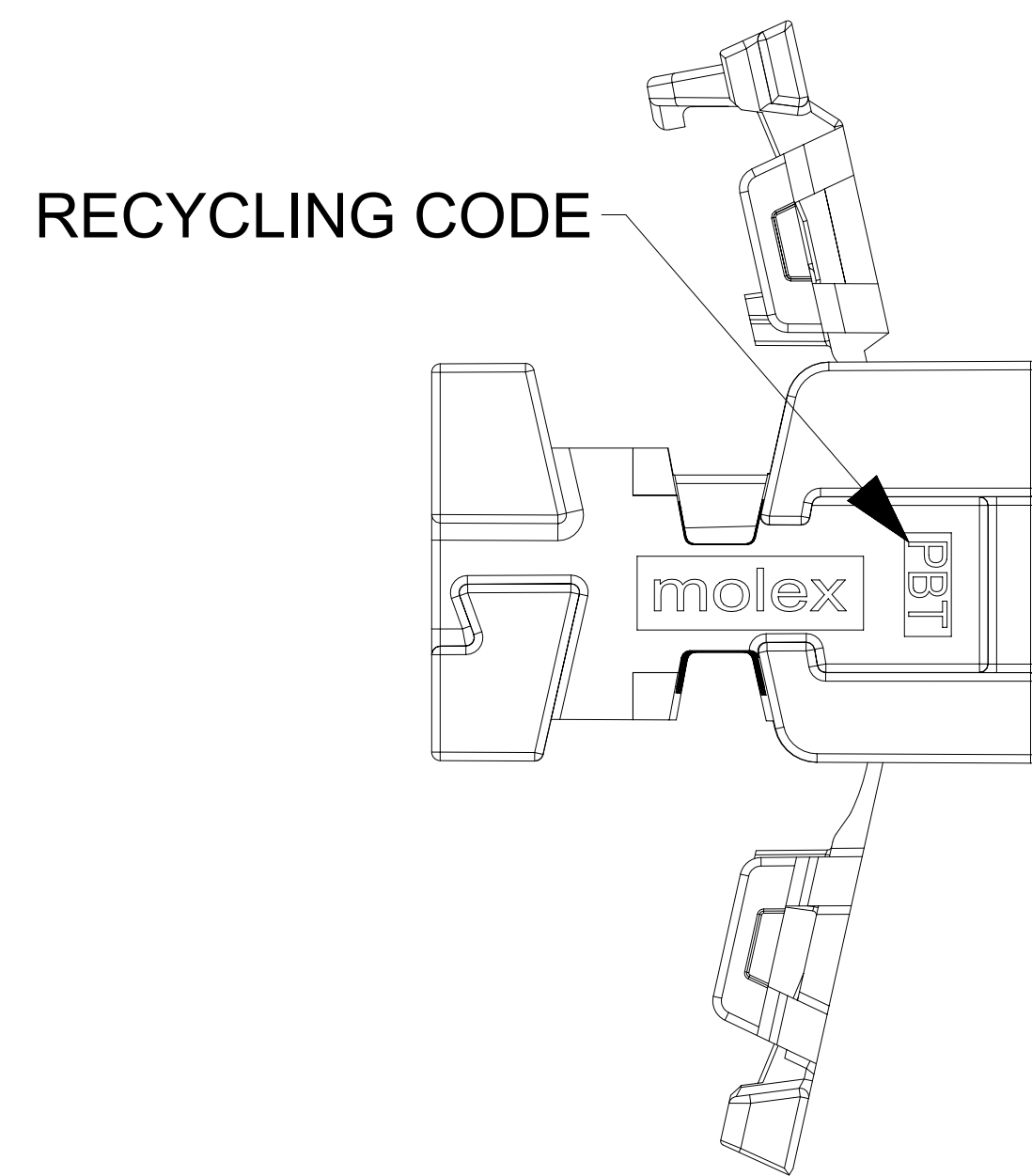
24 CIRCUIT POLARIZATION A



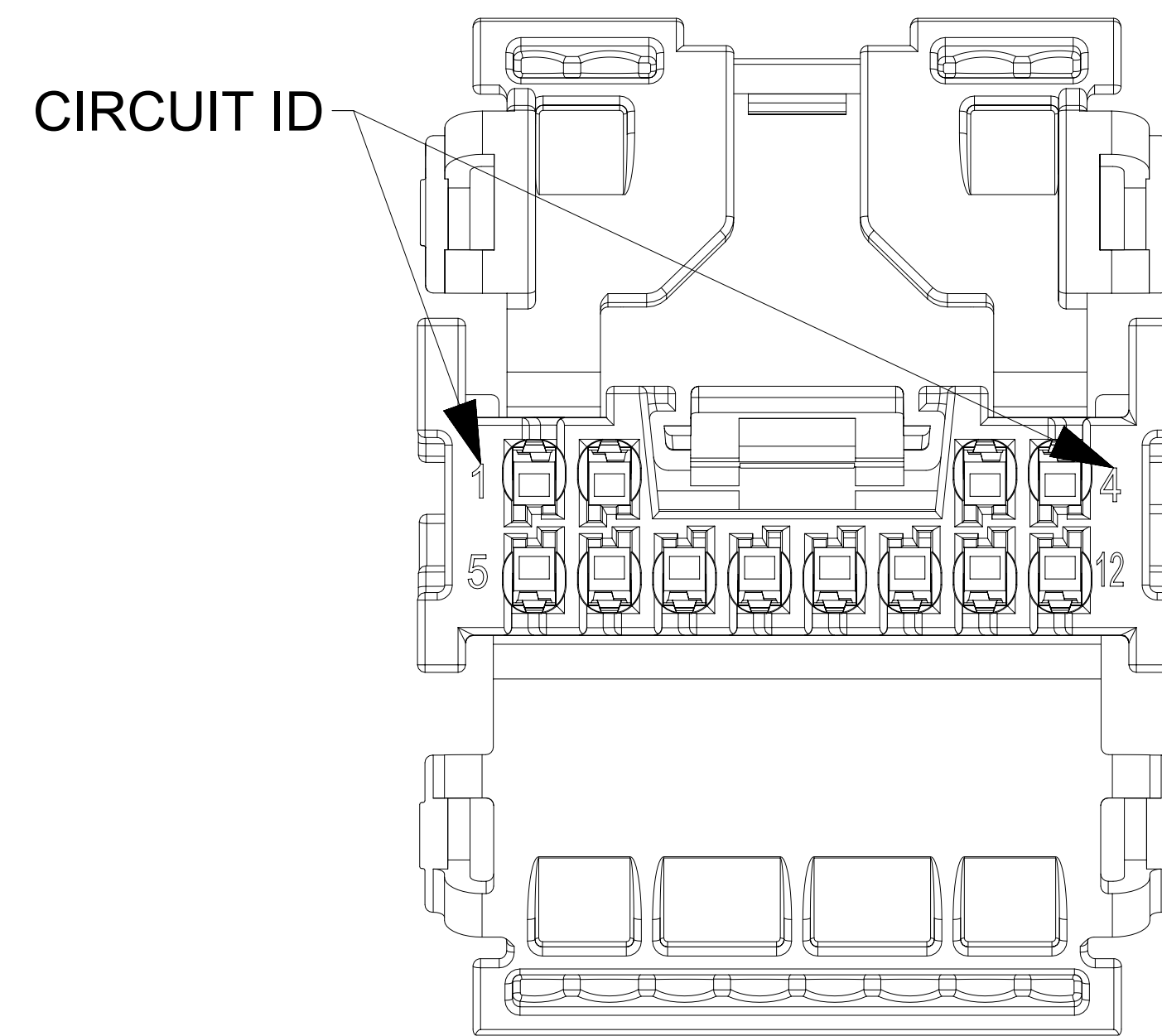
24 CIRCUIT POLARIZATION B



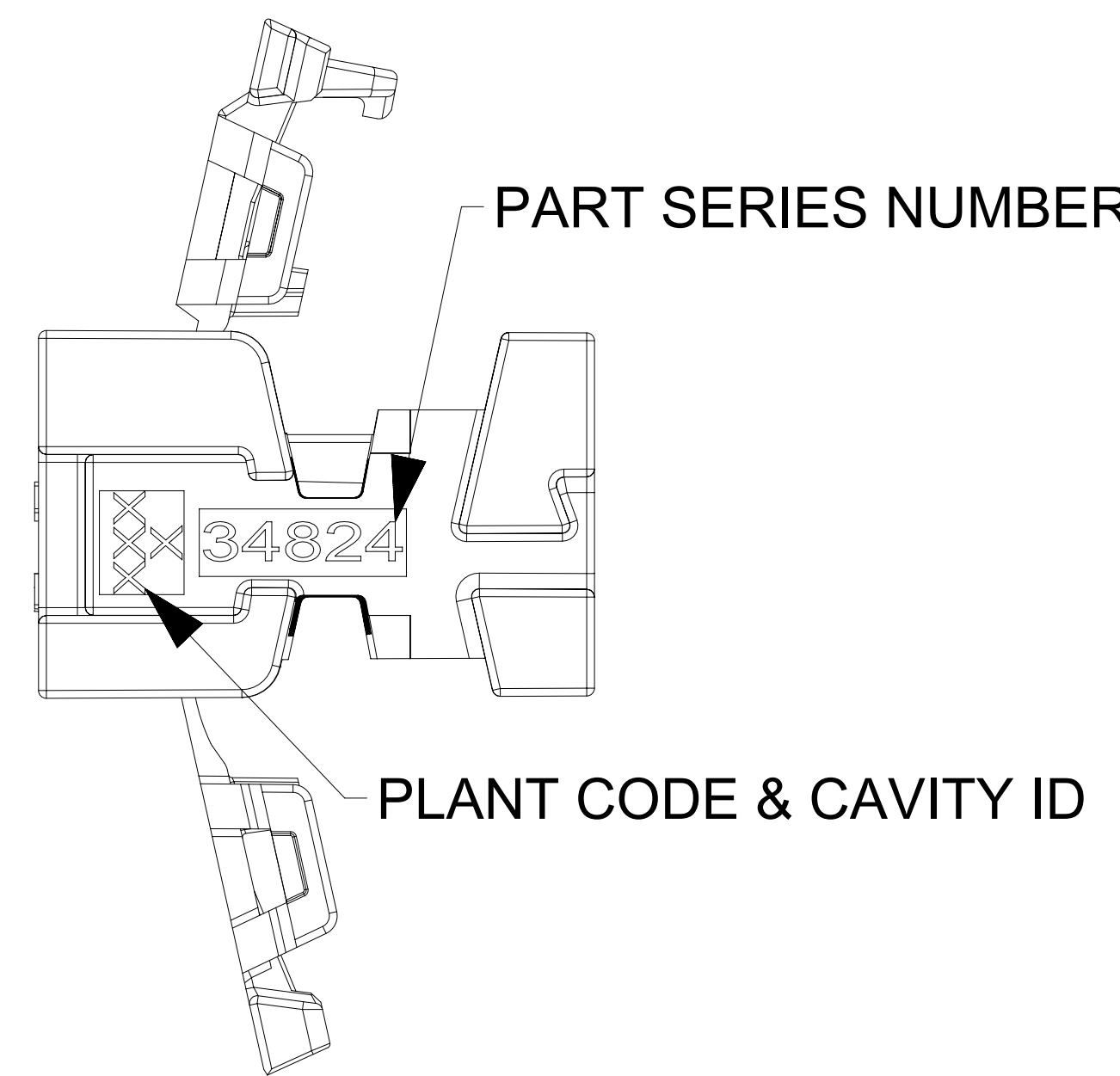
24 CIRCUIT POLARIZATION C



RECYCLING CODE

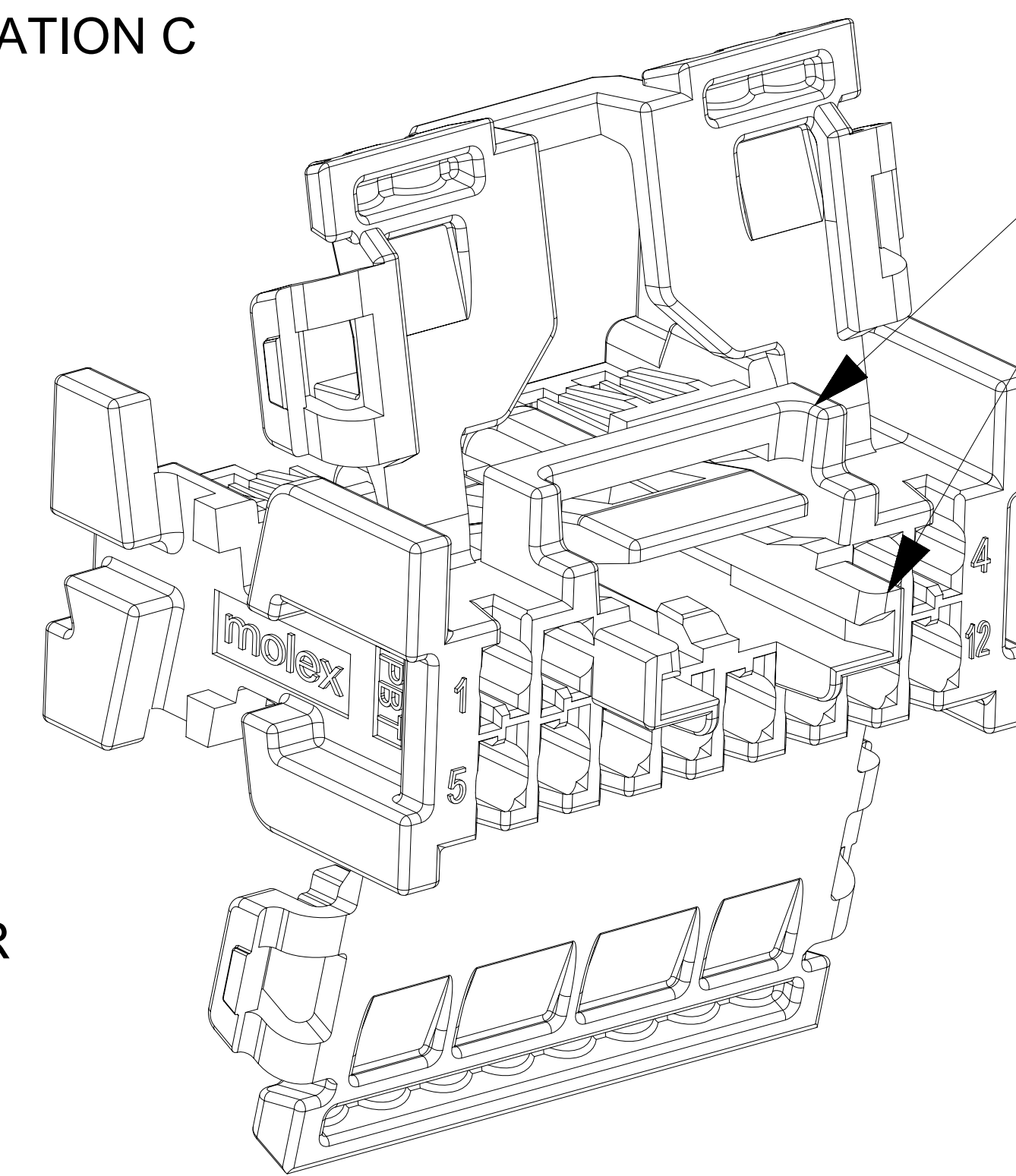


CIRCUIT ID



PART SERIES NUMBER

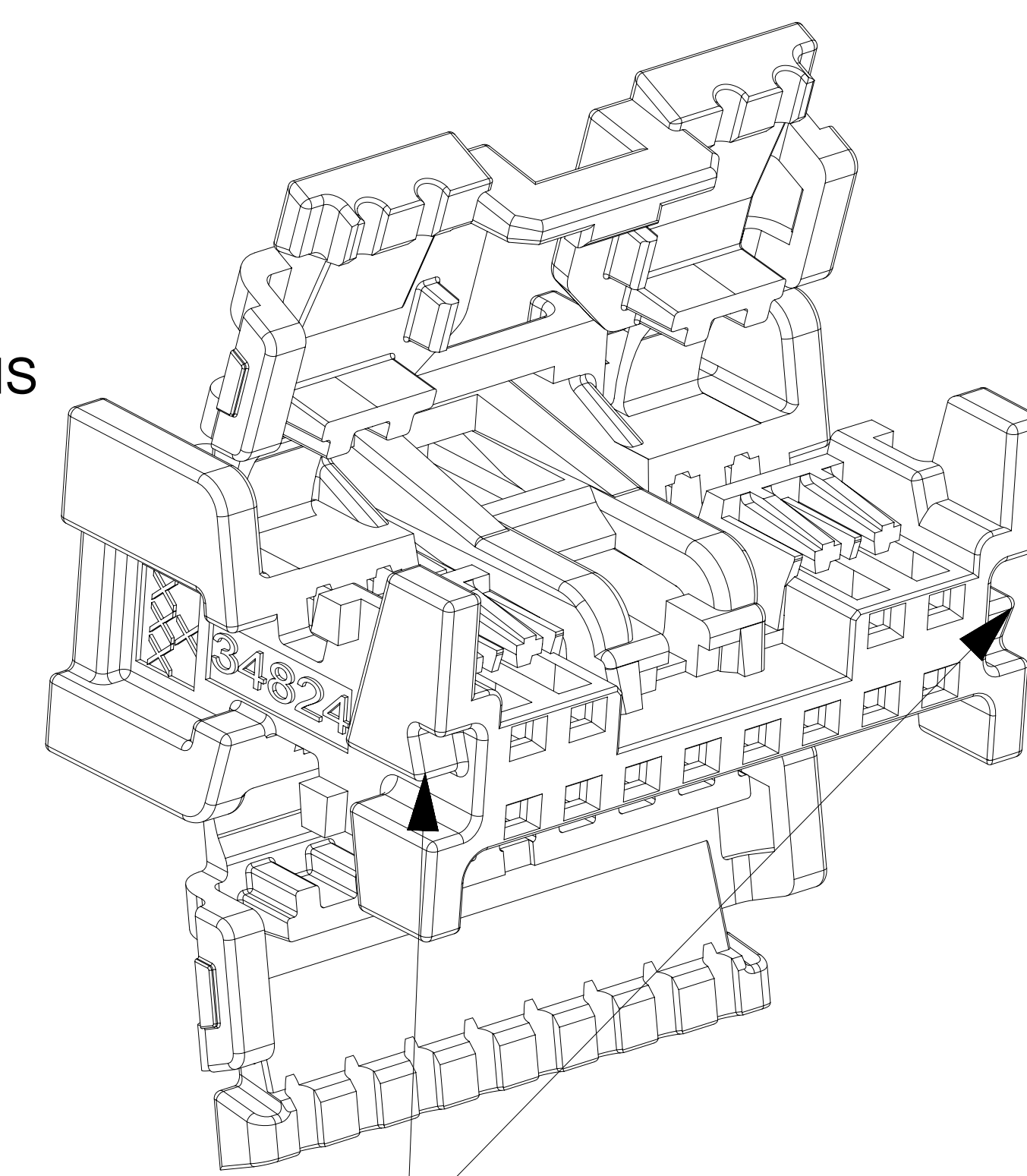
PLANT CODE & CAVITY ID



BRIDGED OPTION

CPA TRAY WITH BRIDGED OPTIONS

SCALE 7:1



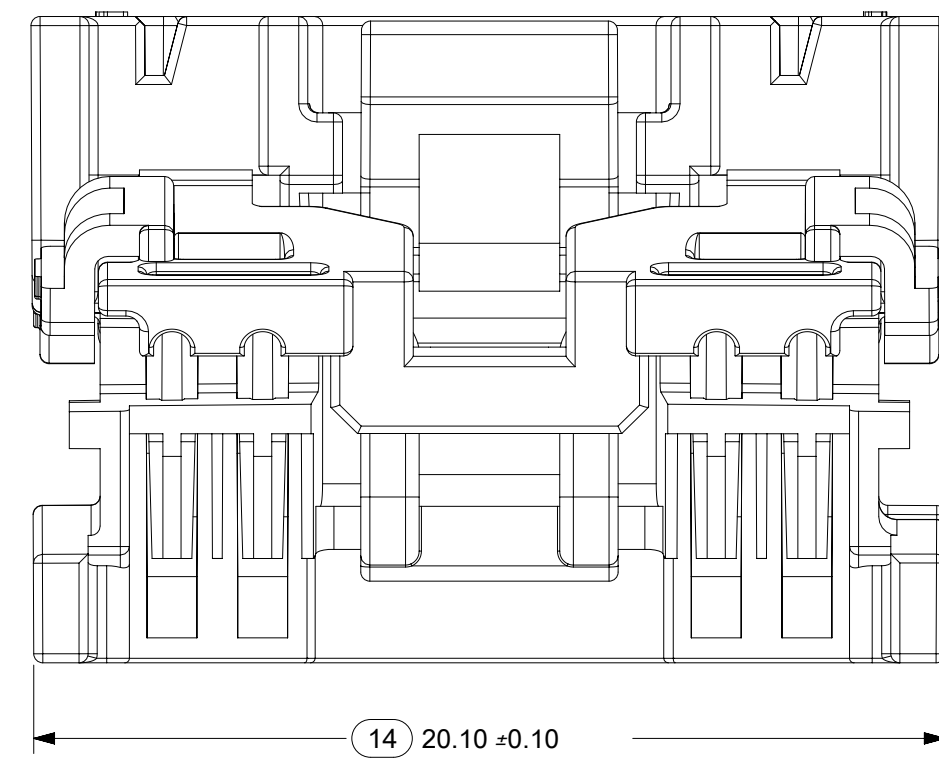
POLARIZATION FEATURES

SCALE 7:1

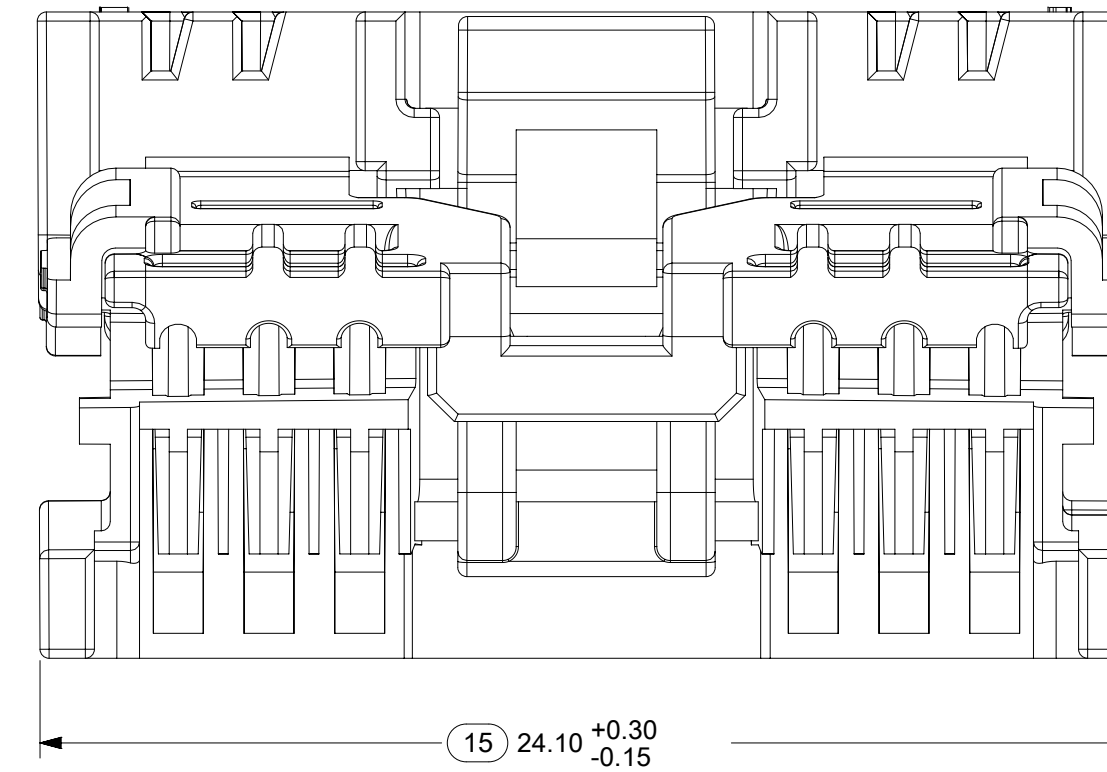
INSPECTION BALLOON LOG	L7 OBSOLETE PART NUMBERS 348241200/01/02/40/41/42,348241160/61/62,348240160/61/62
PER DRAWING REVISION: L6	L6 DRAWING REMASTERED
LAST BALLOON USED: 17	L5 PAGE 3: ADDED NOTE 1
ADDED BALLOON NUMBERS:	L4 PAGE 3: ADDED NOTE SYMBOL TO BOM
REMOVED BALLOON NUMBERS: 1-7	L5 VERTICAL PITCH DIMENSION ADDED
	L4 UPDATED PIN TABLE TO SHOW MATERIAL
	L DESCRIPTION
	REV UPDATED 24CKT

THIS DRAWING CONTAINS INFORMATION THAT IS PROPRIETARY TO MOLEX ELECTRONIC TECHNOLOGIES, LLC AND SHOULD NOT BE USED WITHOUT WRITTEN PERMISSION									
DIMENSION UNITS		SCALE		CURRENT REV DESC: OBSOLETE PART NUMBER					
mm		6:1		<p><b>molex</b></p> <p>MINI50 DUAL ROW RECEPTACLE SALES DWG</p> <p>PRODUCT CUSTOMER DRAWING</p> <p>DOCUMENT NUMBER: <b>SD-34824-002</b>    DOC TYPE: PSD    DOC PART: 001    REVISION: <b>L7</b></p>					
GENERAL TOLERANCES (UNLESS SPECIFIED)									
ANGULAR TOL	±	°							
4 PLACES	±								
3 PLACES	±								
2 PLACES	±	0.1		EC NO: 651926		2020/12/15			
1 PLACE	±	0.2		DRWN: ABHISP1		2020/12/29			
0 PLACES	±			CHK'D: GGA		2020/12/29			
DRAFT WHERE APPLICABLE MUST REMAIN WITHIN DIMENSIONS				THIRD ANGLE PROJECTION		DRAWING		SERIES	
				E-SIZE		34824		MATERIAL NUMBER	
				SEE TABLE		CUSTOMER		GENERAL MARKET	
								SHEET NUMBER	
								1 OF 3	

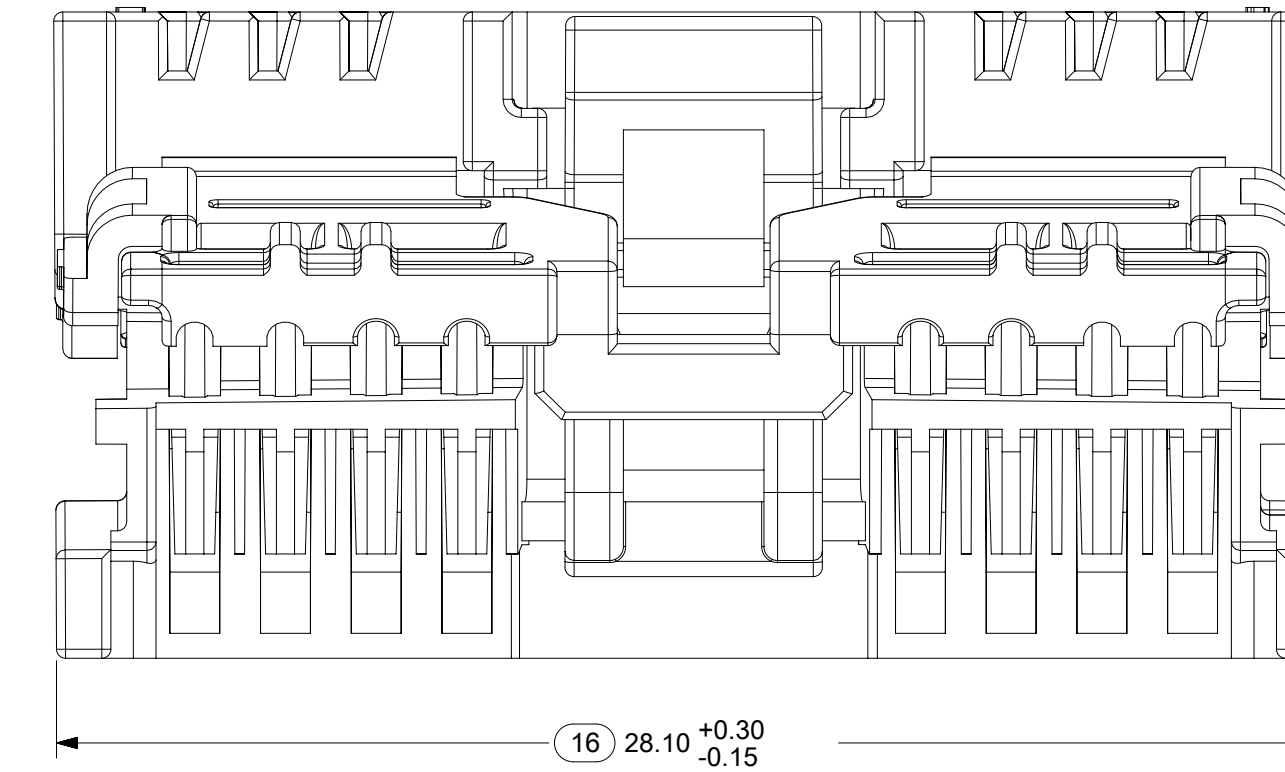
# 12 CIRCUIT



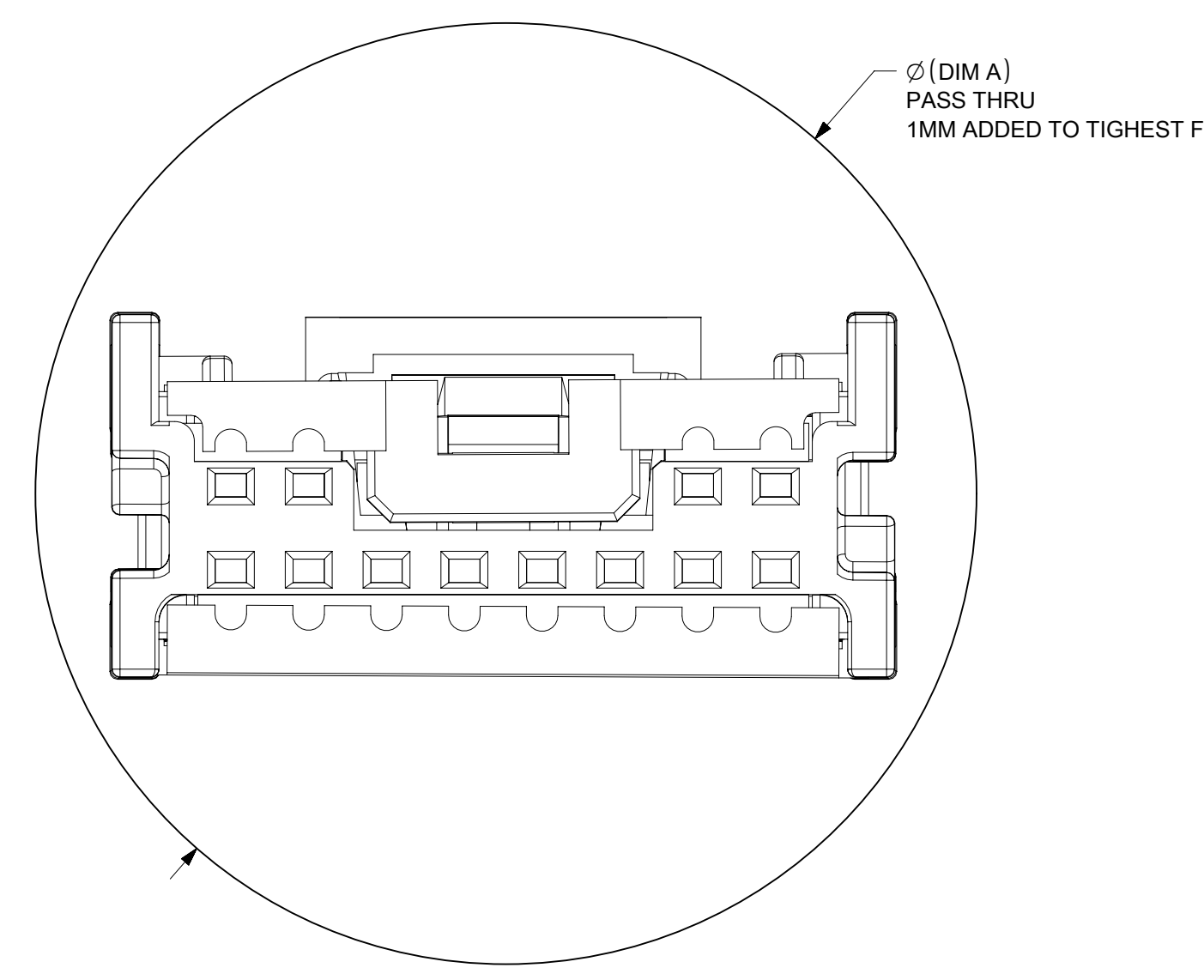
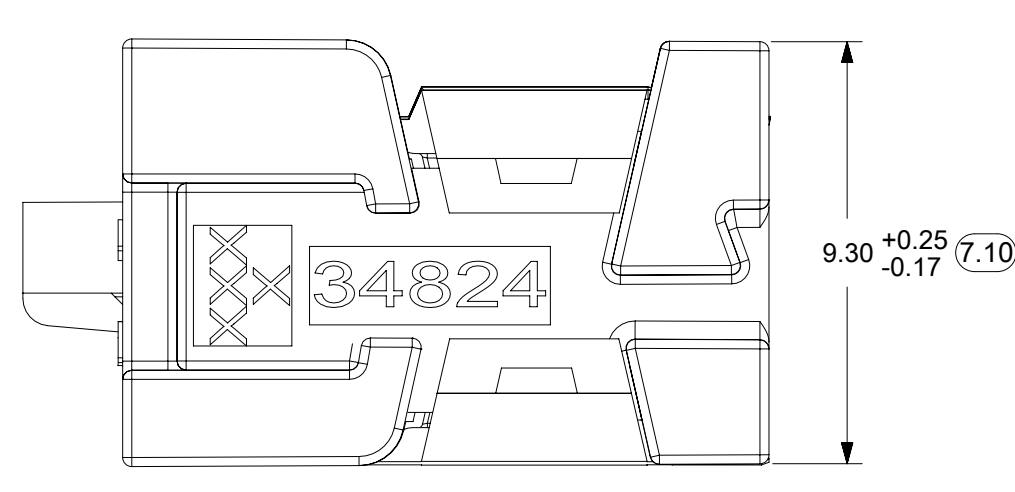
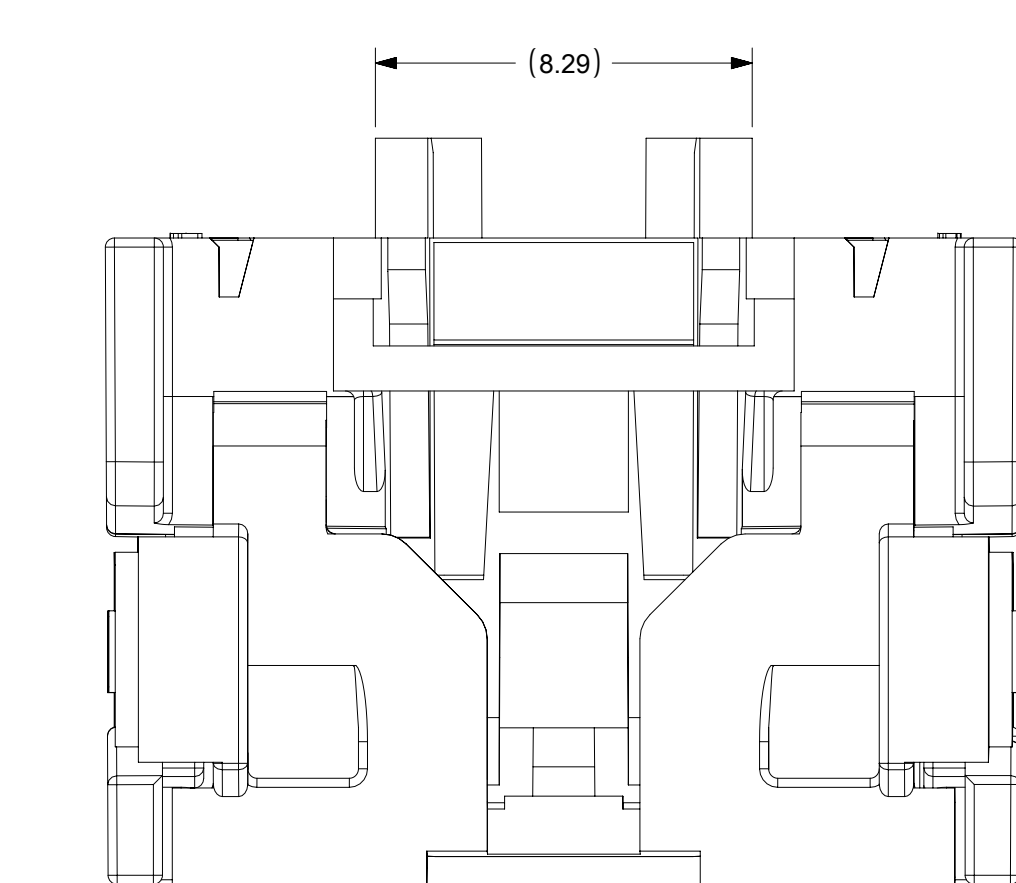
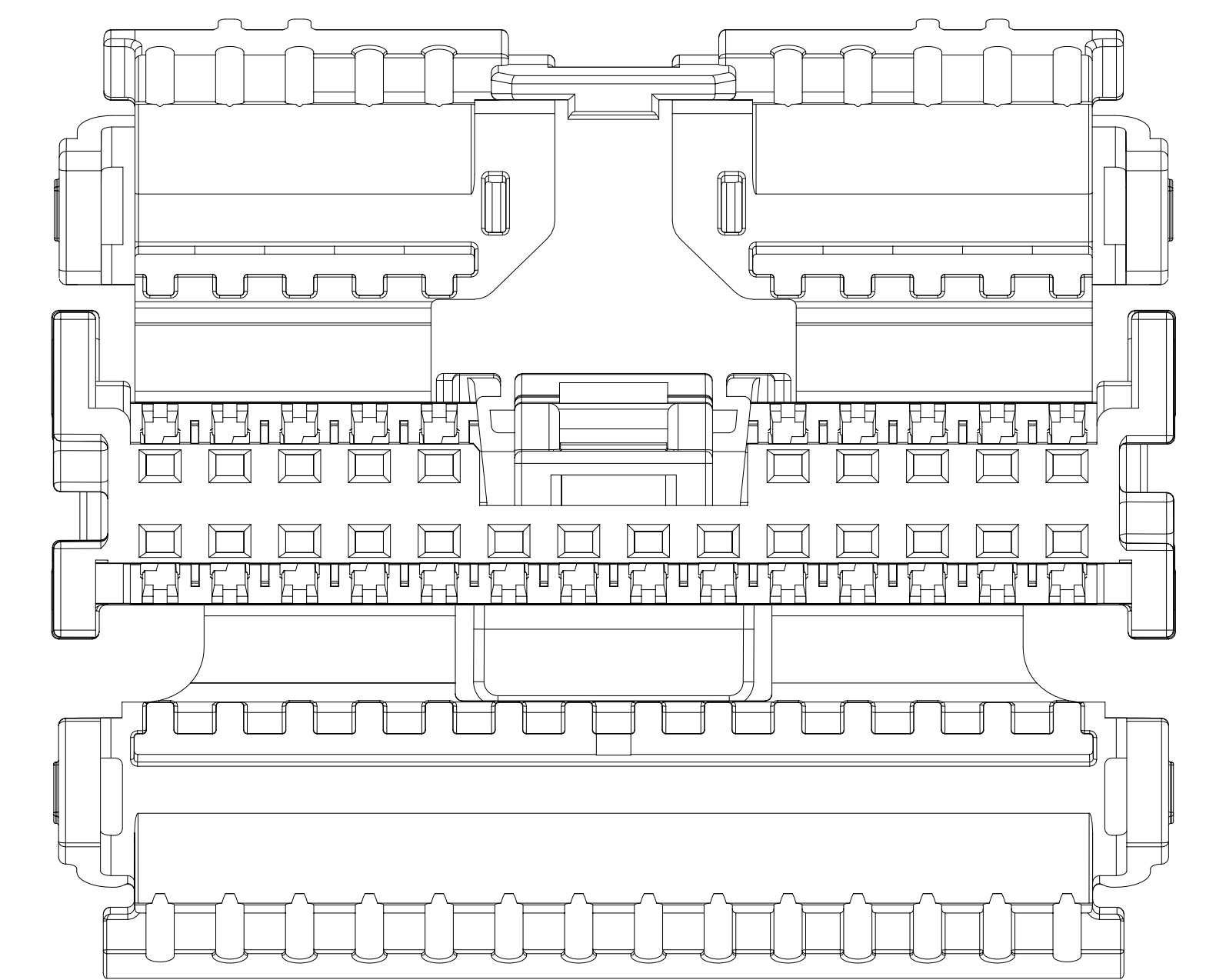
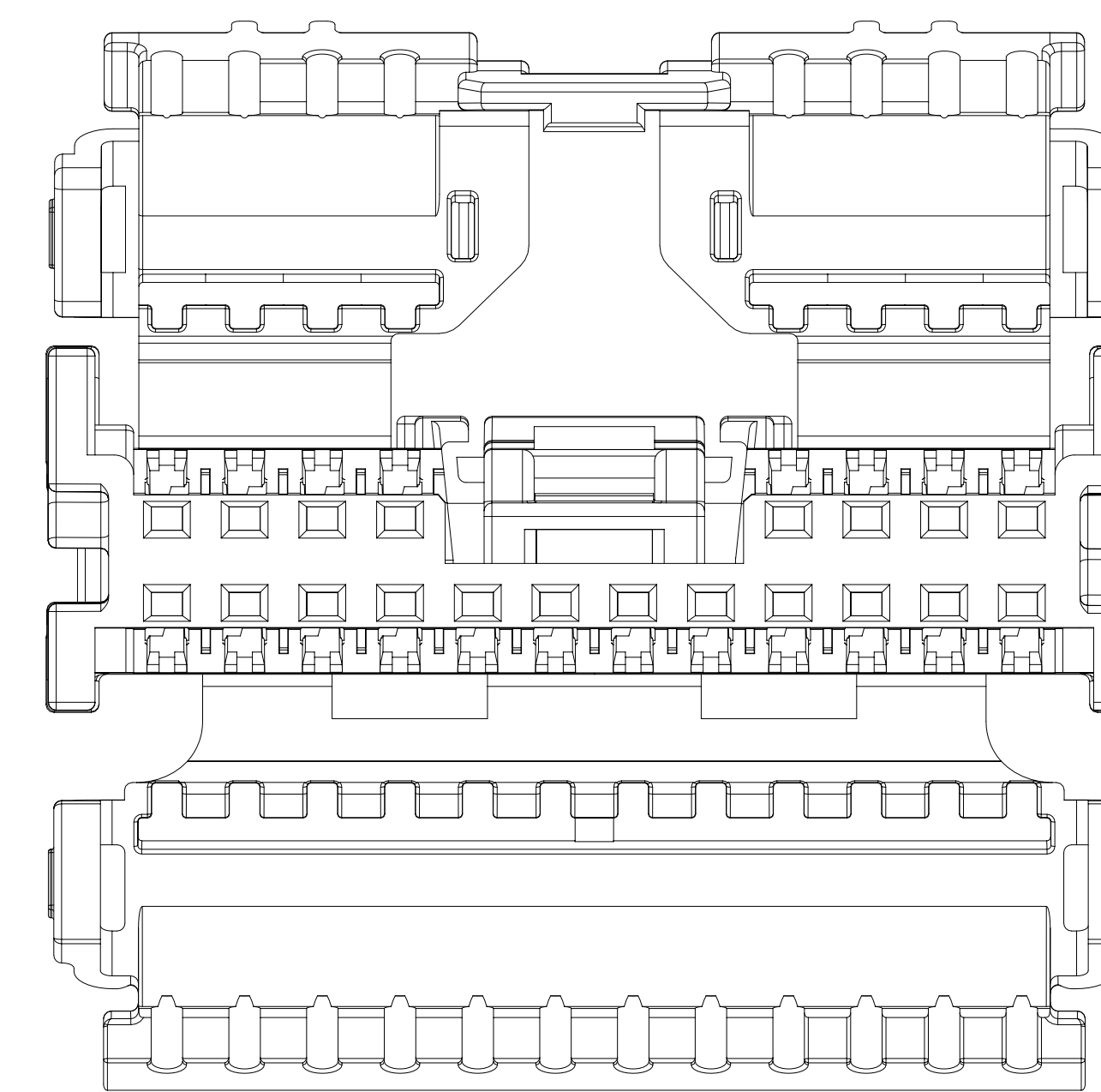
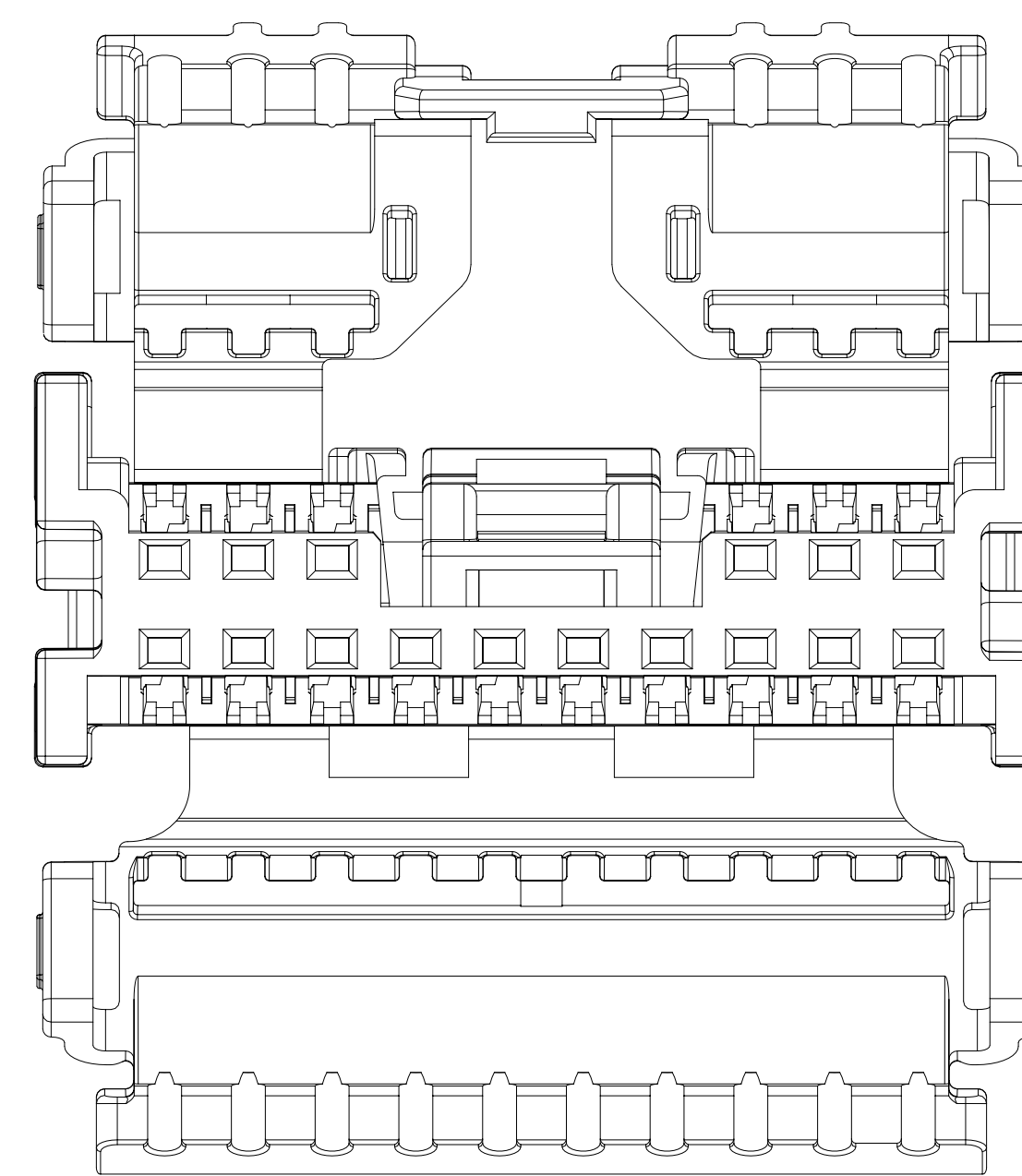
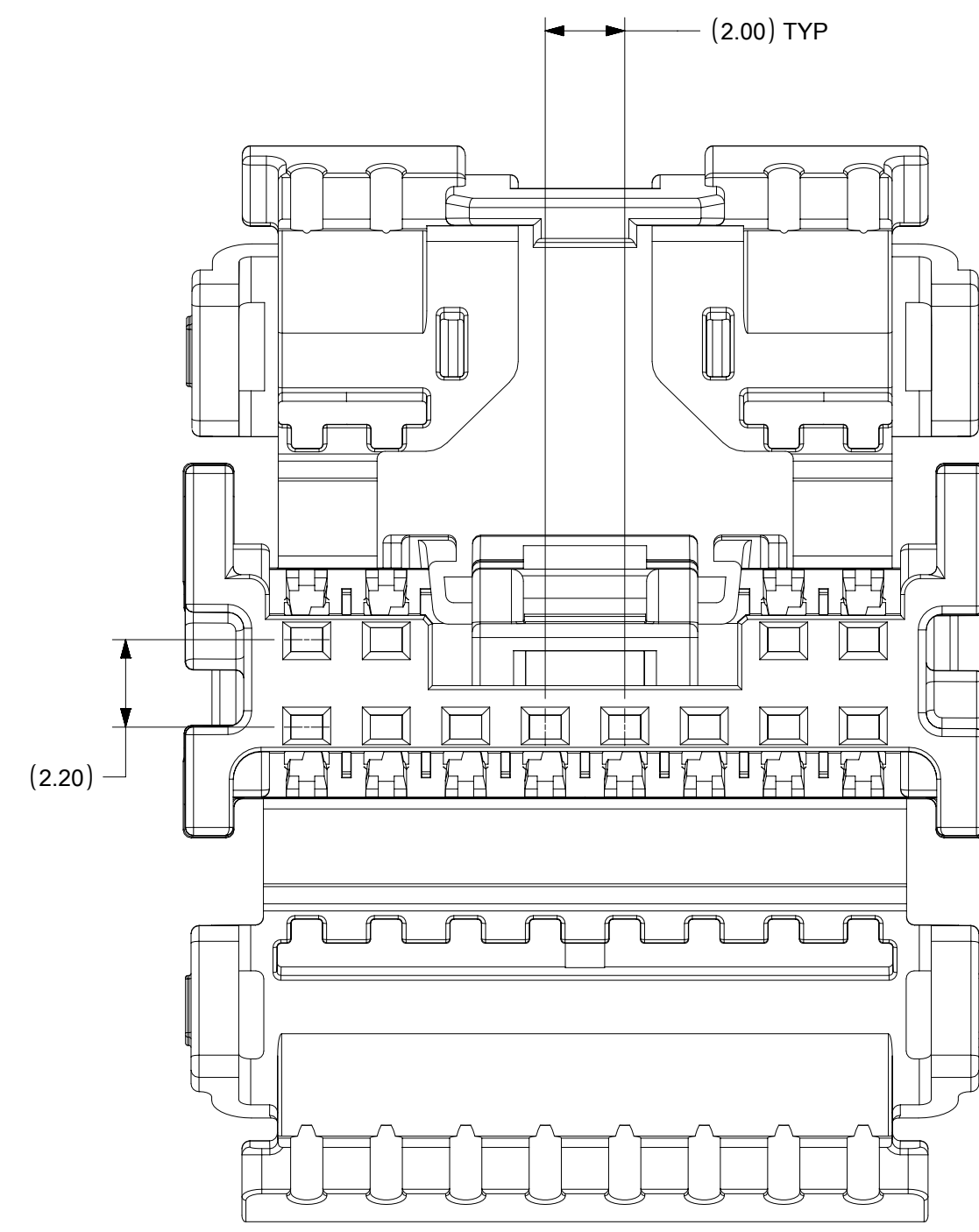
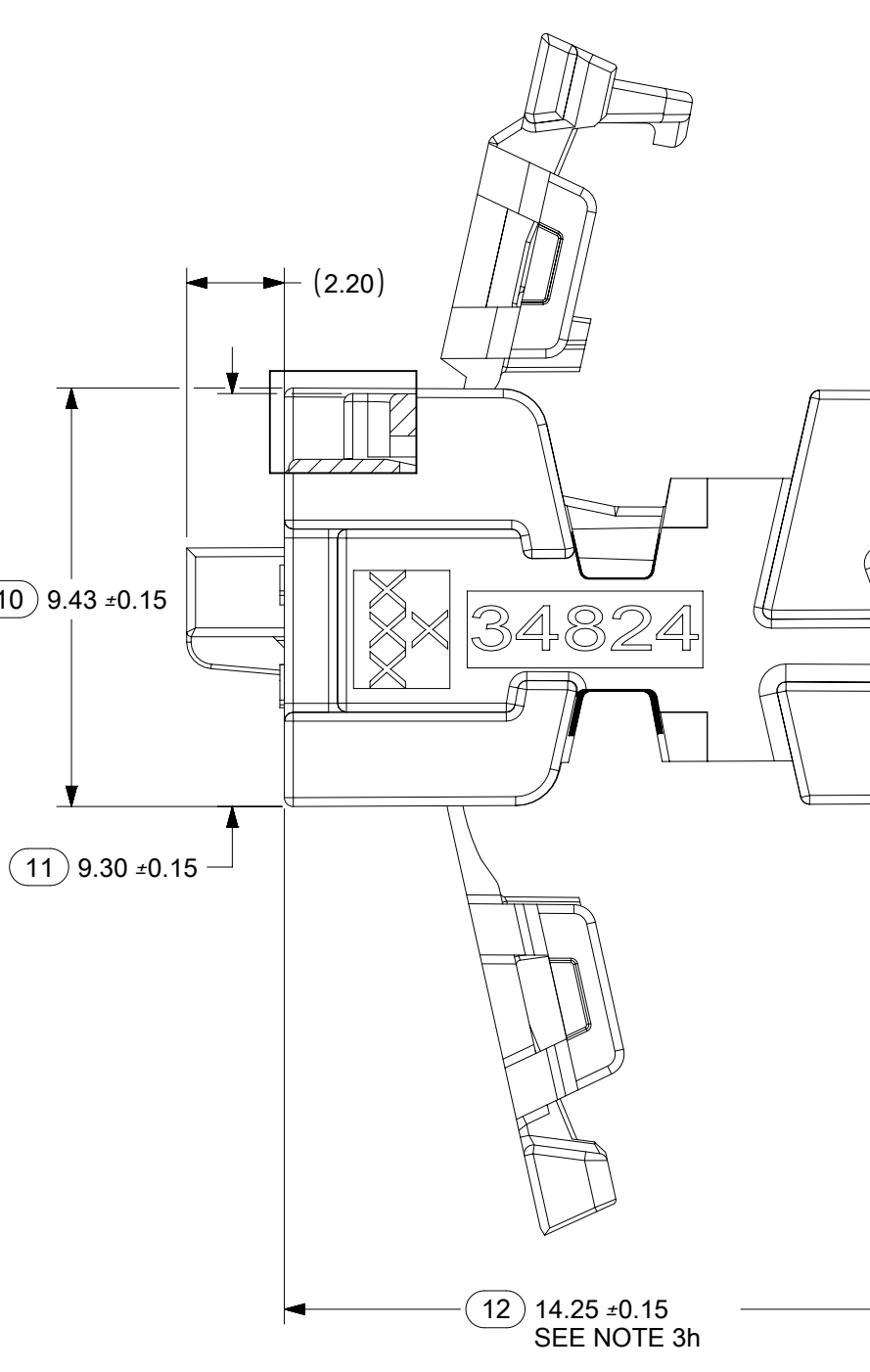
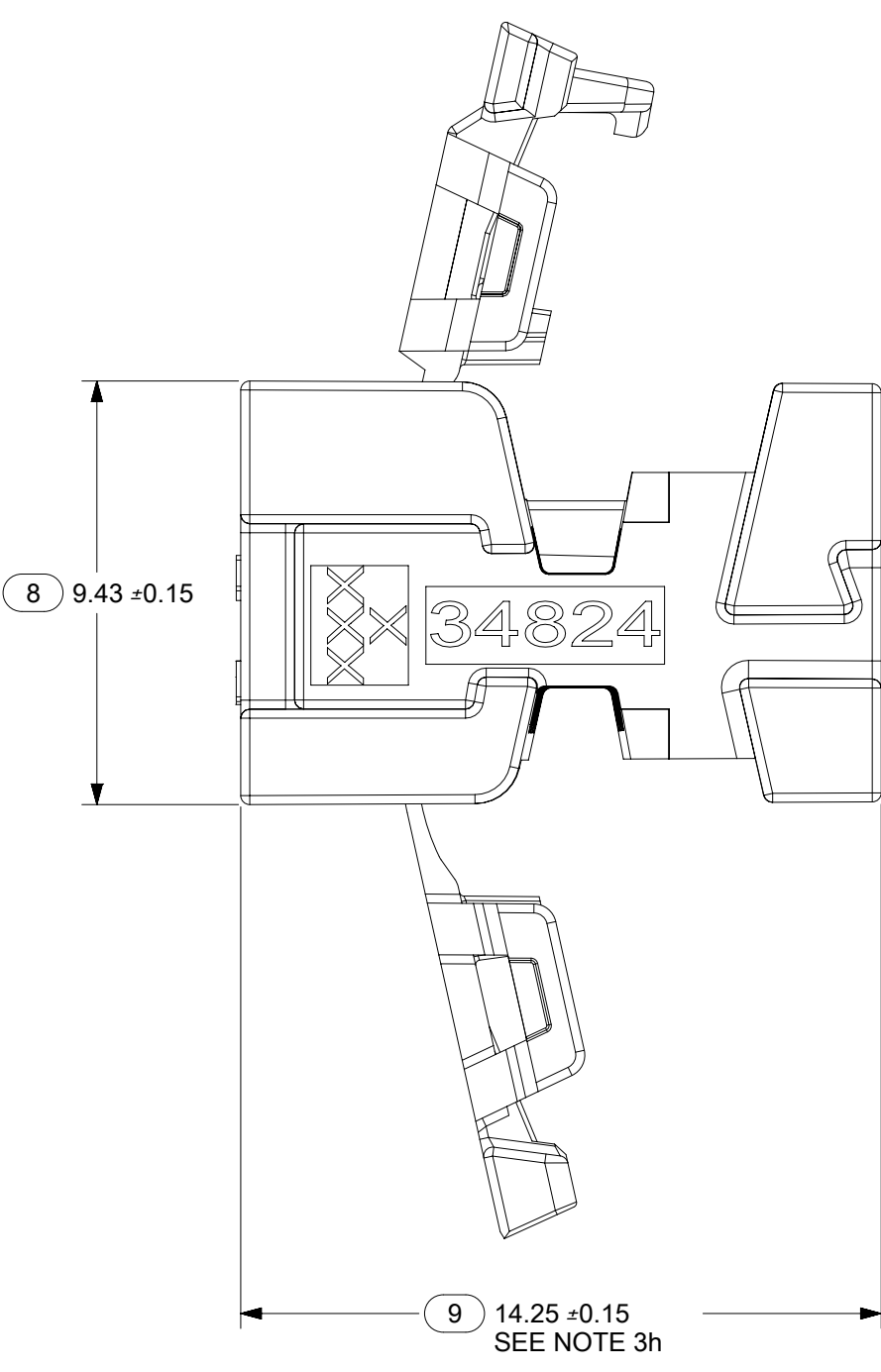
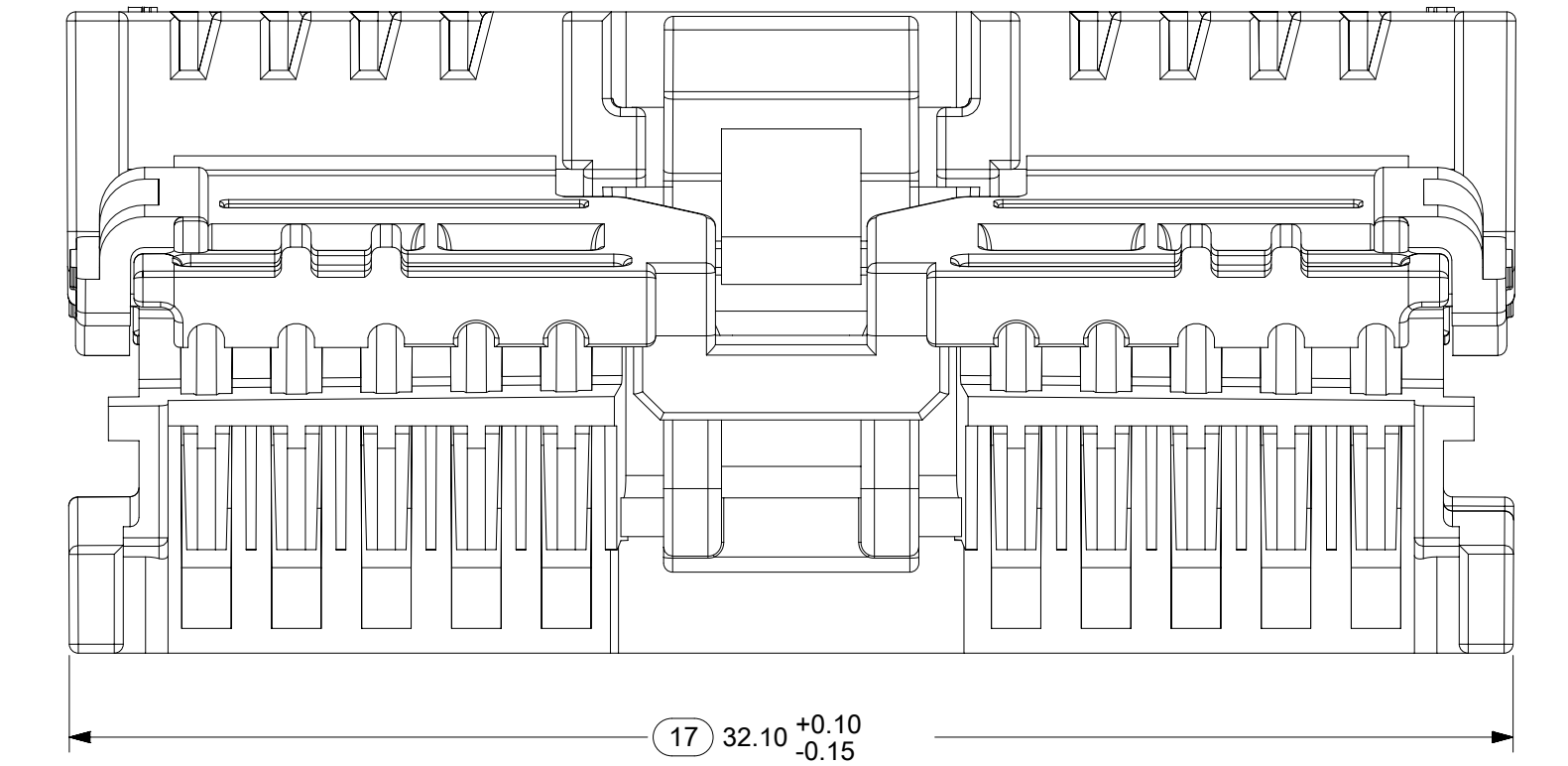
# 16 CIRCUIT



# 20 CIRCUIT



# 24 CIRCUIT



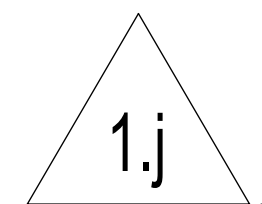
CIRCUIT SIZE	DIM A
12	24.18
16	27.88
20	31.64
24	35.48

THIS DRAWING CONTAINS INFORMATION THAT IS PROPRIETARY TO MOLEX ELECTRONIC TECHNOLOGIES, LLC AND SHOULD NOT BE USED WITHOUT WRITTEN PERMISSION		CURRENT REV DESC: OBSOLETE PART NUMBER					
DIMENSION UNITS	SCALE	EC NO: 651926					
mm	6:1	DRWN: ABHISP1		SD-34824-002	PSD	001	L7
GENERAL TOLERANCES (UNLESS SPECIFIED)		CHK'D: GGA		PRODUCT CUSTOMER DRAWING			
ANGULAR TOL ± °		APPR: GGA		INITIAL REVISION:			
4 PLACES	±	2020/12/15		DRWN: JFISCHER01			
3 PLACES	±	2020/12/29		APPR: SMARCEAU			
2 PLACES	± 0.1	2012/05/18		SERIES			
1 PLACE	± 0.2	2012/05/21		MATERIAL NUMBER			
0 PLACES	±	DRAWING		CUSTOMER			
DRAFT WHERE APPLICABLE MUST REMAIN WITHIN DIMENSIONS		THIRD ANGLE PROJECTION	E-SIZE	34824	SEE TABLE	GENERAL MARKET	SHEET NUMBER
							2 OF 3

DOCUMENT STATUS	P1	RELEASE DATE	2020/12/29	10:22:24
-----------------	----	--------------	------------	----------


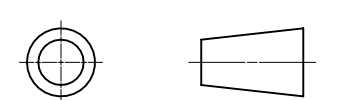
# MINI50 RECEPTACLES - PBT

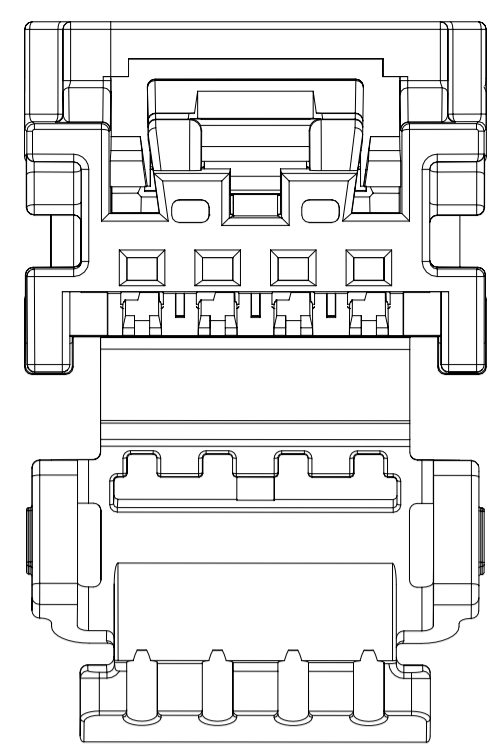
MATERIAL NUMBER BULK PACKAGING PK-31301-538	LOCK BRIDGE	CIRCUIT	POL	COLOR	MATERIAL	MATING COMPONENT					
						SURFACE MOUNT TECHNOLOGY (SMT) HEADER		VERTICAL THRU HOLE HEADER		RIGHT ANGLE THRU HOLE HEADER	
						TAPE AND REEL PACKAGING PK-31301-786	TUBE PACKAGING PK-31301-688	TRAY PACKAGING PK-31301-440	TUBE PACKAGING PK-31301-688	TRAY PACKAGING PK-31301-440	TUBE PACKAGING PK-31301-688
34824-0124	NO	12	A	BLACK	PBT	34897-8120	34897-9120	34825-0124	34825-9124	34826-0124	34826-9124
34824-0125	NO	12	B	GRAY		34897-8121	34897-9121	34825-0125	34825-9125	34826-0125	34826-9125
34824-0126	NO	12	C	DARK GRAY		34897-8122	34897-9122	34825-0126	34825-9126	34826-0126	34826-9126
34824-1124	YES	12	A	BLACK		34897-8120	34897-9120	34825-0124	34825-9124	34826-0124	34826-9124
34824-1125	YES	12	B	GRAY		34897-8121	34897-9121	34825-0125	34825-9125	34826-0125	34826-9125
34824-1126	YES	12	C	DARK GRAY		34897-8122	34897-9122	34825-0126	34825-9126	34826-0126	34826-9126



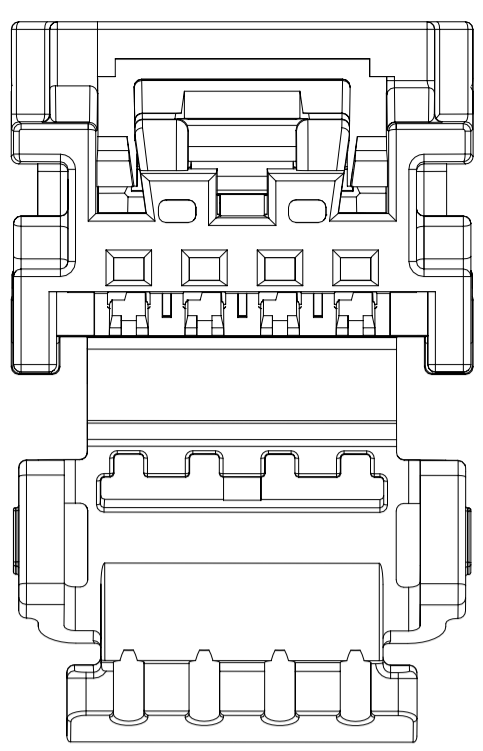
# MINI50 RECEPTACLES - PA410

MATERIAL NUMBER BULK PACKAGING PK-31301-538	LOCK BRIDGE OPTION	CIRCUIT	POL	COLOR	MATERIAL	MATING COMPONENT					
						SURFACE MOUNT TECHNOLOGY (SMT) HEADER		VERTICAL THRU HOLE HEADER		RIGHT ANGLE THRU HOLE HEADER	
						TAPE AND REEL PACKAGING	TUBE PACKAGING	TRAY PACKAGING	TUBE PACKAGING	TRAY PACKAGING PK-31301-440	TUBE PACKAGING PK-31301-688
34824-0164	NO	16	A	BLACK	PA410	34897-8160	34897-9160	34825-0160	34825-9160	34826-0160	34826-9160
34824-0165	NO	16	B	GRAY		34897-8161	34897-9161	34825-0161	34825-9161	34826-0161	34826-9161
34824-0166	NO	16	C	DARK GRAY		34897-8162	34897-9162	34825-0162	34825-9162	34826-0162	34826-9162
34824-1164	YES	16	A	BLACK		34897-8160	34897-9160	34825-0160	34825-9160	34826-0160	34826-9160
34824-1165	YES	16	B	GRAY		34897-8161	34897-9161	34825-0161	34825-9161	34826-0161	34826-9161
34824-1166	YES	16	C	DARK GRAY		34897-8162	34897-9162	34825-0162	34825-9162	34826-0162	34826-9162
34824-0204	NO	20	A	BLACK		34897-8200	34897-9200	34825-0200	34825-9200	34826-0200	34826-9200
34824-0205	NO	20	B	GRAY		34897-8201	34897-9201	34825-0201	34825-9201	34826-0201	34826-9201
34824-0206	NO	20	C	DARK GRAY		34897-8202	34897-9202	34825-0202	34825-9202	34826-0202	34826-9202
34824-1204	YES	20	A	BLACK		34897-8200	34897-9200	34825-0200	34825-9200	34826-0200	34826-9200
34824-1205	YES	20	B	GRAY		34897-8201	34897-9201	34825-0201	34825-9201	34826-0201	34826-9201
34824-1206	YES	20	C	DARK GRAY		34897-8202	34897-9202	34825-0202	34825-9202	34826-0202	34826-9202
34824-0244	NO	24	A	BLACK		34897-8240	34897-9240	34825-0240	34825-9240	34826-0240	34826-9240
34824-0245	NO	24	B	GRAY		34897-8241	34897-9241	34825-0241	34825-9241	34826-0241	34826-9241
34824-0246	NO	24	C	DARK GRAY		34897-8242	34897-9242	34825-0242	34825-9242	34826-0242	34826-9242
34824-1244	YES	24	A	BLACK		34897-8240	34897-9240	34825-0240	34825-9240	34826-0240	34826-9240
34824-1245	YES	24	B	GRAY		34897-8241	34897-9241	34825-0241	34825-9241	34826-0241	34826-9241
34824-1246	YES	24	C	DARK GRAY		34897-8242	34897-9242	34825-0242	34825-9242	34826-0242	34826-9242

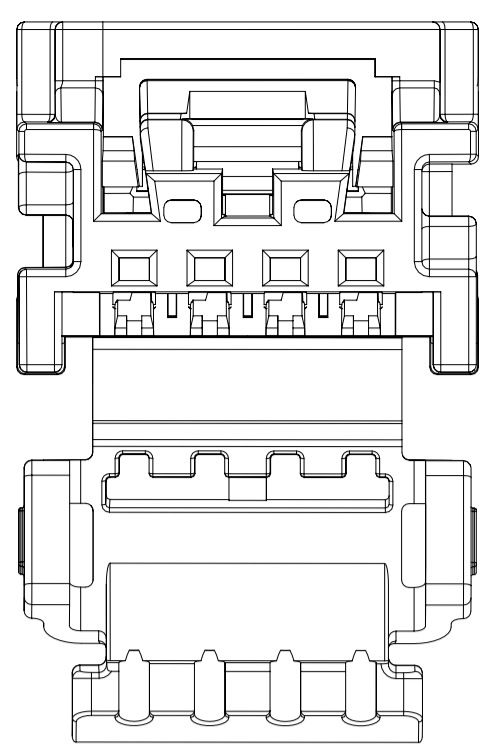
THIS DRAWING CONTAINS INFORMATION THAT IS PROPRIETARY TO MOLEX ELECTRONIC TECHNOLOGIES, LLC AND SHOULD NOT BE USED WITHOUT WRITTEN PERMISSION											
DIMENSION UNITS		SCALE		CURRENT REV DESC: OBSOLETE PART NUMBER							
mm		6:1		 MINI50 DUAL ROW RECEPTACLE SALES DWG							
GENERAL TOLERANCES (UNLESS SPECIFIED)											
ANGULAR TOL ± °											
4 PLACES ±											
3 PLACES ±											
2 PLACES ± 0.1											
1 PLACE ± 0.2											
0 PLACES ±				EC NO: 651926 DRWN: ABHISP1 CHK'D: GGA APPR: GGA 2020/12/15 2020/12/29 2020/12/29				PRODUCT CUSTOMER DRAWING DOCUMENT NUMBER <b>SD-34824-002</b> DOC TYPE PSD DOC PART 001 REVISION <b>L7</b>			
DRAFT WHERE APPLICABLE MUST REMAIN WITHIN DIMENSIONS				THIRD ANGLE PROJECTION		DRAWING		SERIES		MATERIAL NUMBER	
						E-SIZE		34824		SEE TABLE	
						GENERAL MARKET		SHEET NUMBER			
								3 OF 3			



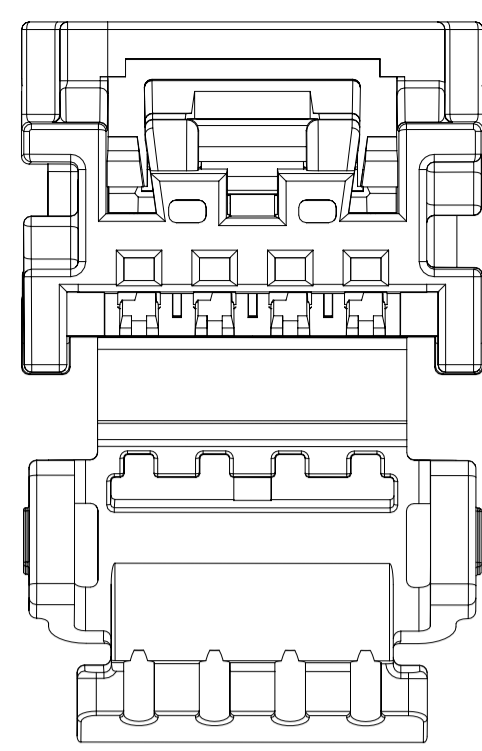
4CKT BRIDGED RECEPTACLE WITH CPA POLARIZATION OPTION A



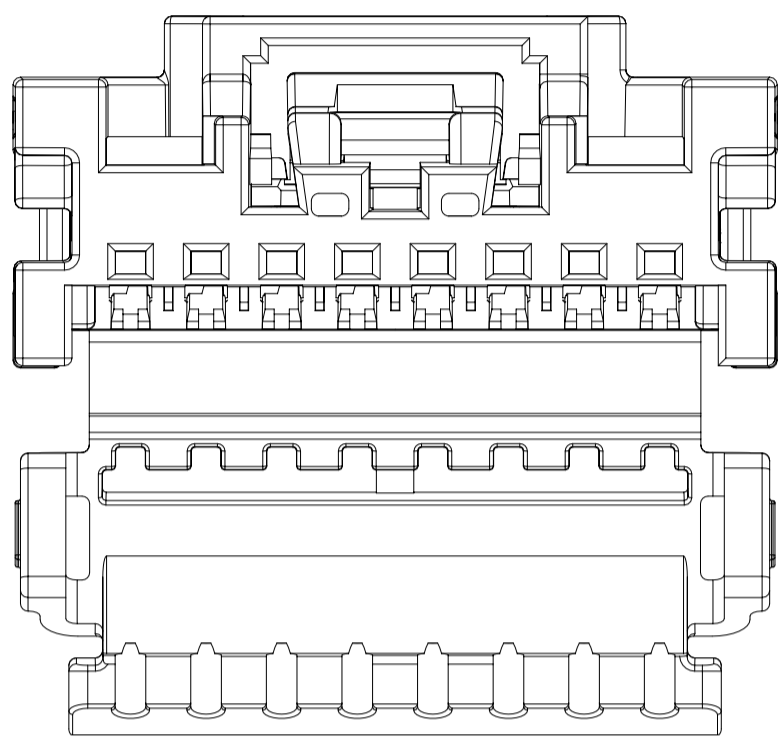
4CKT BRIDGED RECEPTACLE WITH CPA POLARIZATION OPTION B



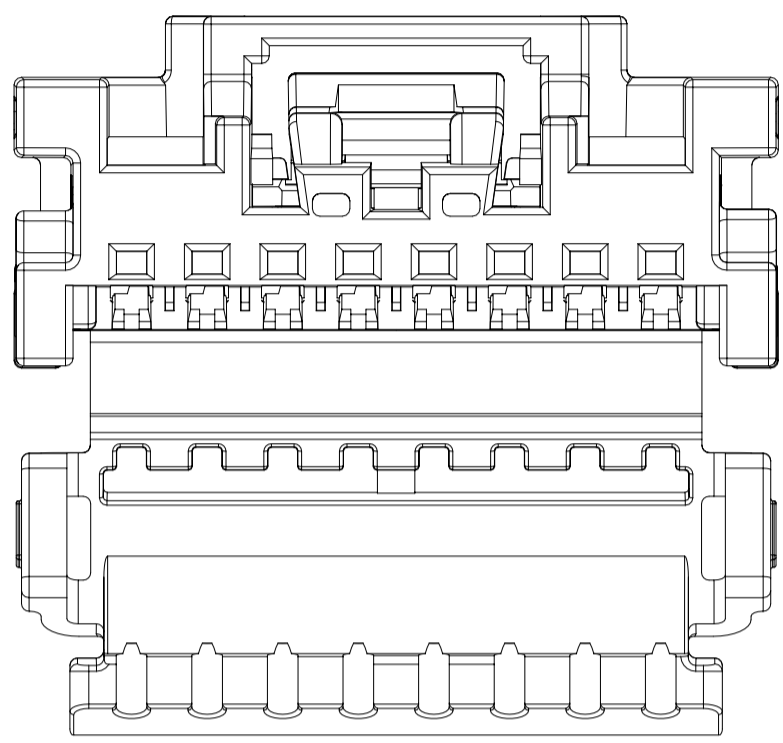
4CKT BRIDGED RECEPTACLE WITH CPA POLARIZATION OPTION C



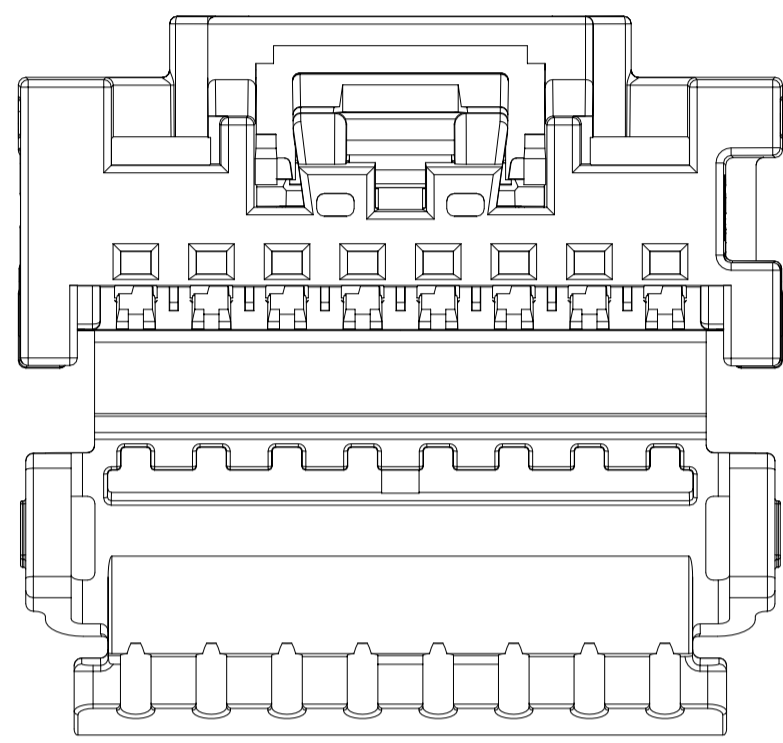
4CKT BRIDGED RECEPTACLE WITH CPA POLARIZATION OPTION D



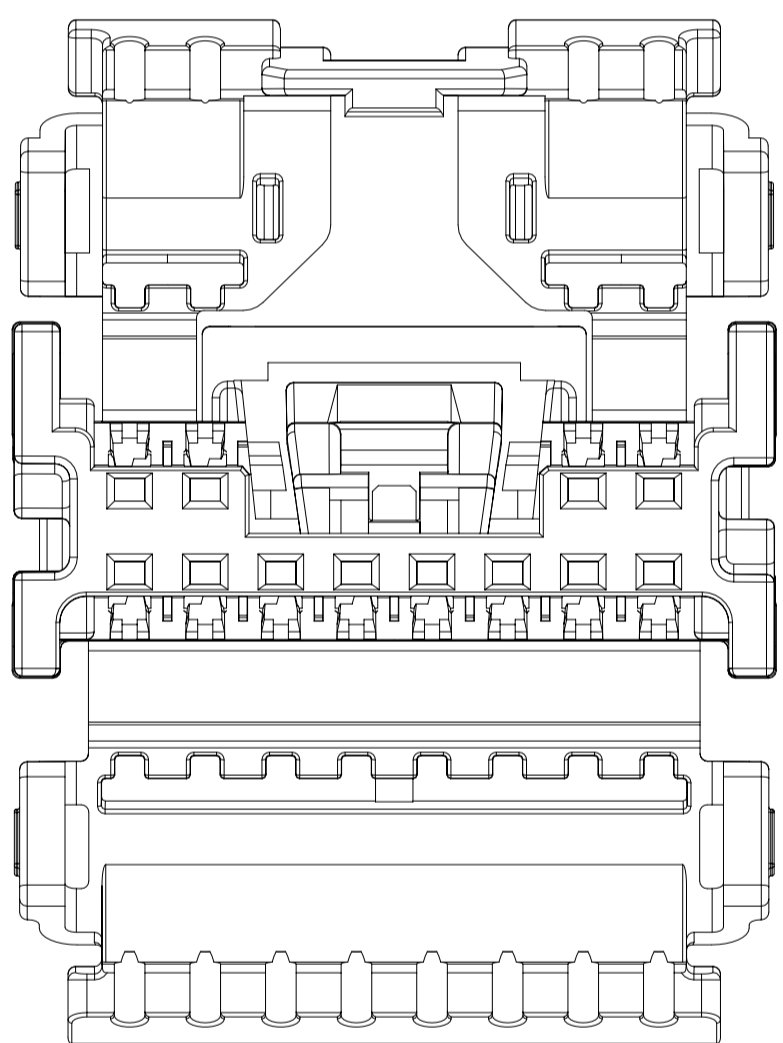
8CKT BRIDGED RECEPTACLE WITH CPA POLARIZATION OPTION A



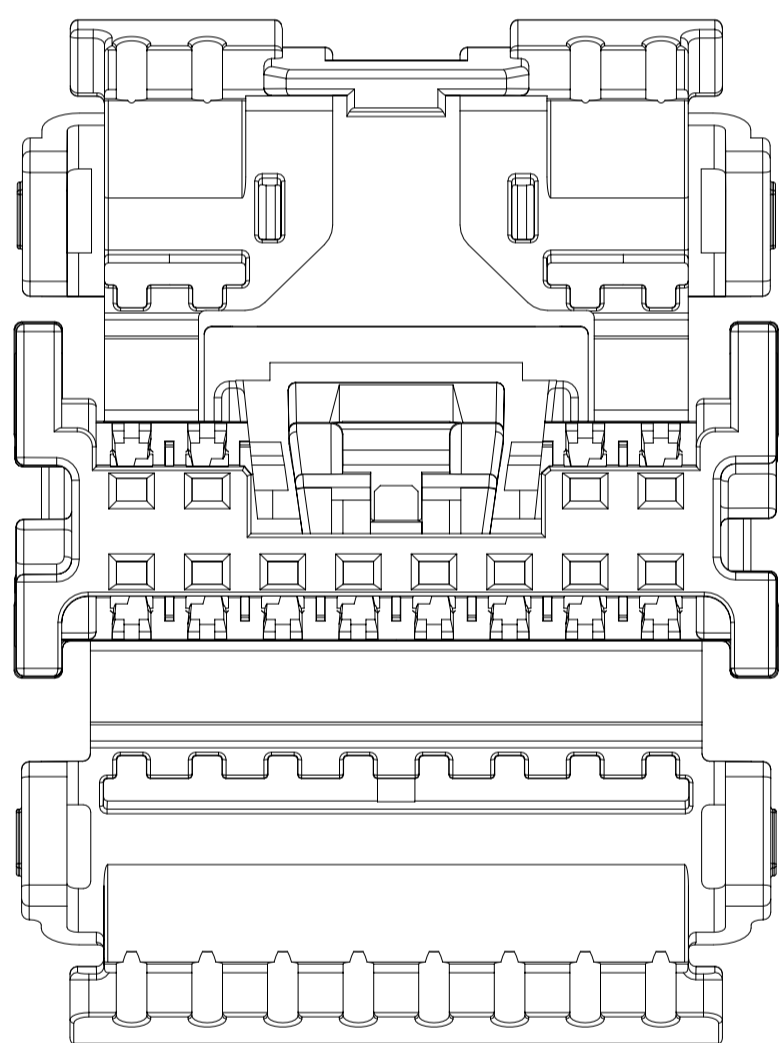
8CKT BRIDGED RECEPTACLE WITH CPA POLARIZATION OPTION B



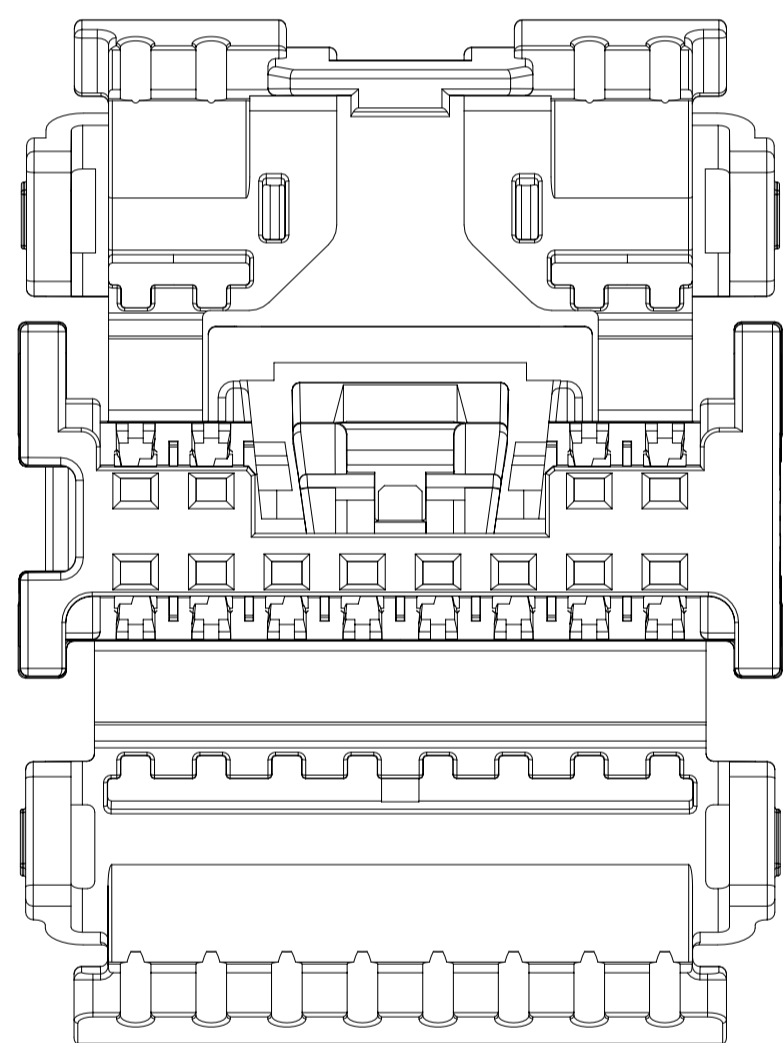
8CKT BRIDGED RECEPTACLE WITH CPA POLARIZATION OPTION C



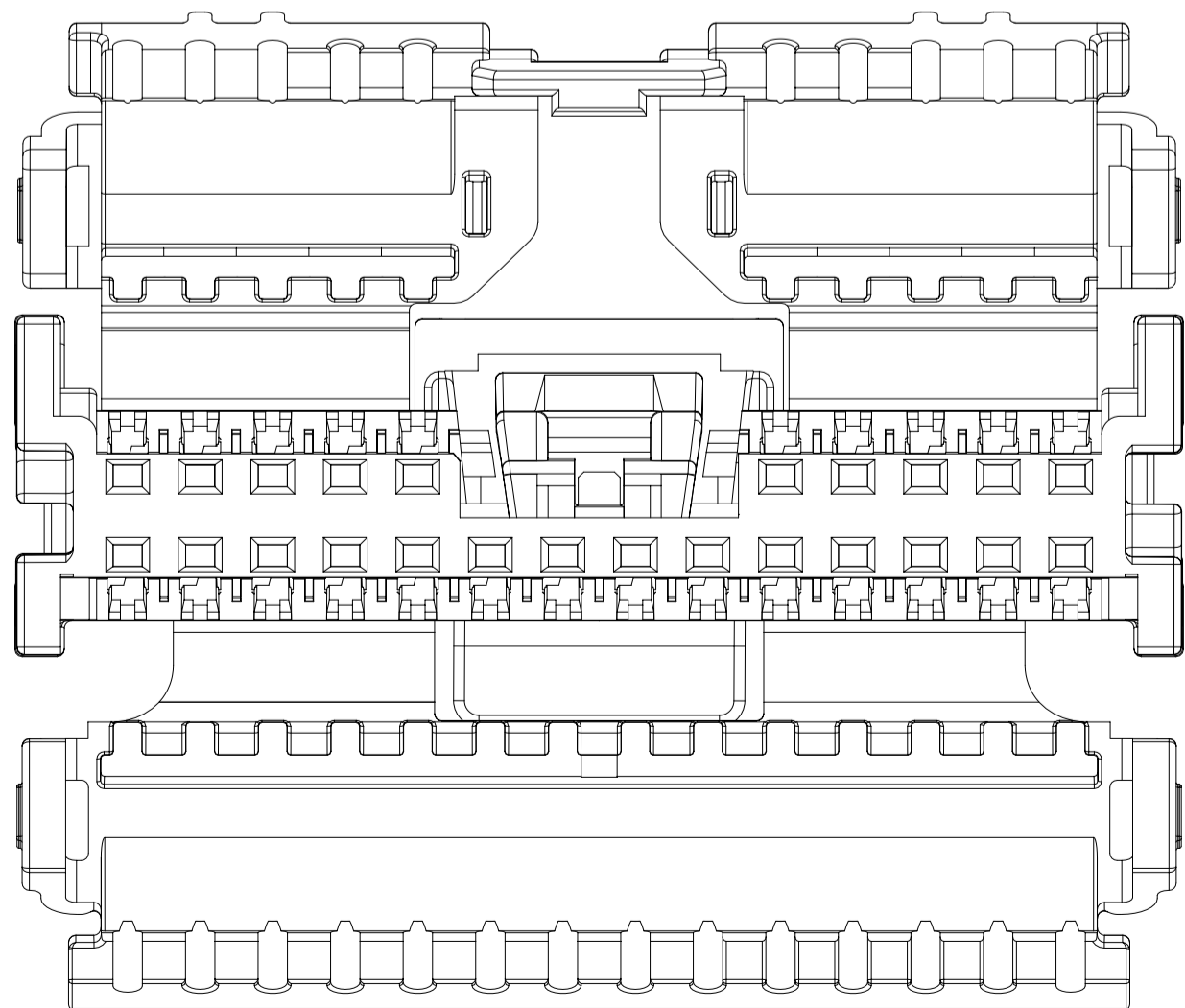
12CKT BRIDGED RECEPTACLE WITH CPA POLARIZATION OPTION A



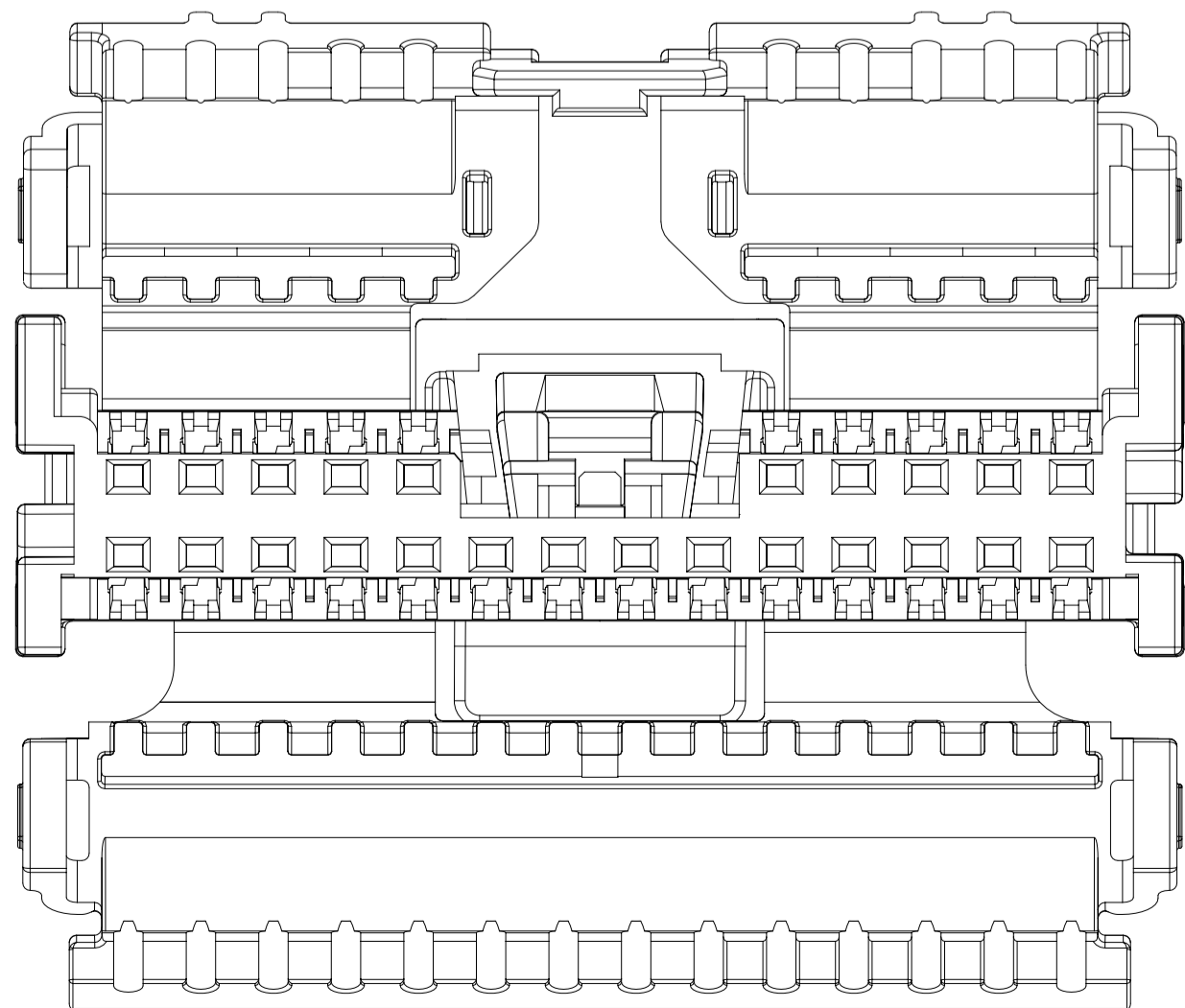
12CKT BRIDGED RECEPTACLE WITH CPA POLARIZATION OPTION B



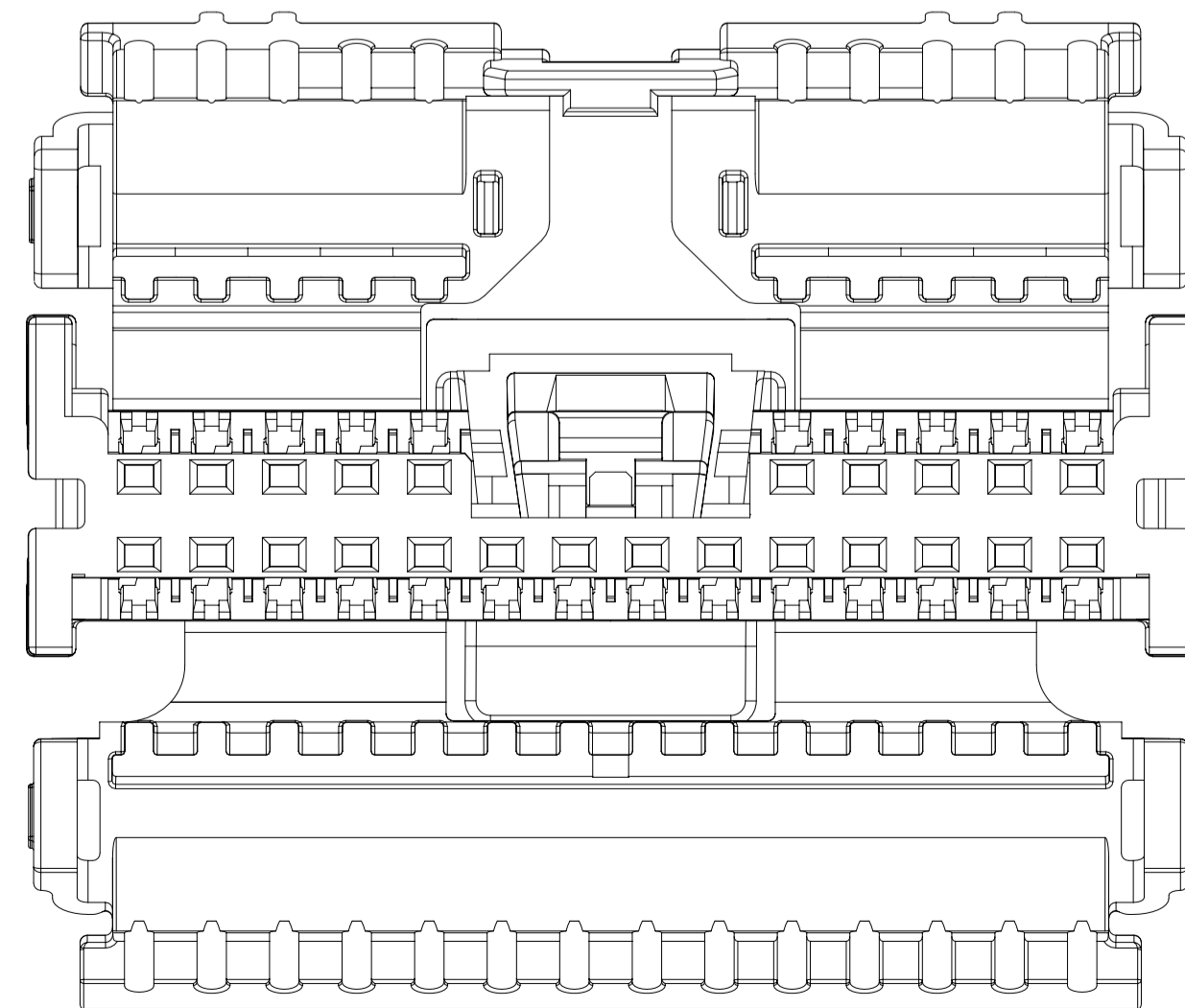
12CKT BRIDGED RECEPTACLE WITH CPA POLARIZATION OPTION C



24CKT BRIDGED RECEPTACLE WITH CPA POLARIZATION OPTION A



24CKT BRIDGED RECEPTACLE WITH CPA POLARIZATION OPTION B



24CKT BRIDGED RECEPTACLE WITH CPA POLARIZATION OPTION C

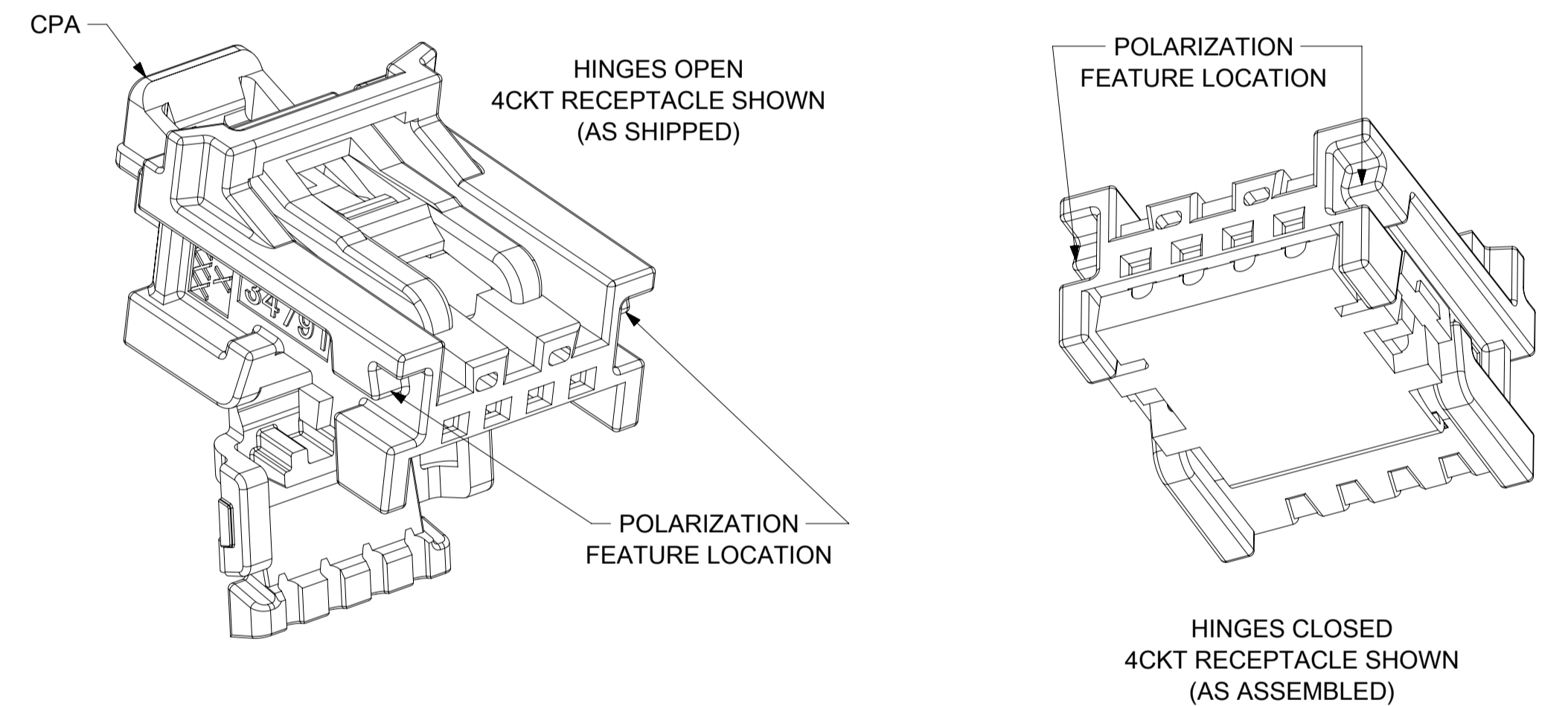
NOTES: VALID UNLESS OTHERWISE SPECIFIED

- 1. GENERAL:
  - a. APPLICATION SPECIFICATION SEE: AS-34791-020
  - b. PRODUCT SPECIFICATION SEE: PS-34791-020
  - c. PACKAGING SPECIFICATION PER MOLEX DRAWING: SEE CHART
  - d. PARTS MUST BE IN COMPLIANCE TO MOLEX CHEMICAL SUBSTANCES FOR PRODUCTS AND PACKAGING SPECIFICATION: QEHS-699000-301
  - e. DATA MUST BE SUBMITTED UNDER THE MOLEX PART NUMBER TO IMDS (COMPANY ID#13255)
  - f. FLAMMABILITY REQUIREMENT: PER ISO3795 OR GM3191
    - 1. BURN RATE 100 mm/MIN MAXIMUM
    - 2. MATERIAL MUST BE SELF EXTINGUISHING
  - g. VISUAL DEFECTS SHALL MEET COSMETIC STANDARD PS-45499-002 (Class B)
  - f. FOR TERMINAL USAGE, REFER TO MOLEX SALES DRAWING SD-560023-002

- 2. DESIGN - MATERIALS:
  - a. SEE BOM FOR MATERIAL INFORMATION

- 3. DESIGN - GEOMETRY:
  - a. THIS IS A 100% CAD GENERATED PART. THE CAD MATHEMATICAL DATA IS THE MASTER FOR THIS PART. FOR DIMENSIONAL OR ANY INFORMATION NOT SHOWN ON THIS DRAWING, ANALYZE THE CAD MODEL.
  - b. GEOMETRIC DIMENSIONS AND TOLERANCES PER ASME Y14.5 - 2009
  - c. GENERAL TOLERANCES:
    - LINEAR: PER DIN 16901 CODE B FOR PRECISION ENGINEERING (SEE TABLE)
    - ANGULAR:  $\pm 3^\circ$
  - d. EDGES AND UNDIMENSIONED DETAILS PER ISO13715
  - e. CORNERS SHOWN AS SHARP TO BE R 0.2 MAX
  - f. LETTERING SHALL BE 0.1 MAX RAISED IN 0.15 MAX RECESS PAD AND NOT PROTRUDE THE SURFACE. THIS INCLUDES RECYCLING CODE, PLANT ID, CAVITY ID, VENDOR ID, CIRCUIT ID, AND PART SERIES NUMBER.
  - g. DIMENSION APPLIES ONLY TO RECEPTACLES WITH LOCK BRIDGE OPTION.

- 4. DESIGN - FUNCTIONALITY:
  - a. HINGE DOES NOT AFFECT FUNCTION OF THE PART.



INSPECTION BALLOON LOG PER DRAWING REVISION: M10

LAST BALLOON USED: 21

ADDED BALLOON NUMBERS:

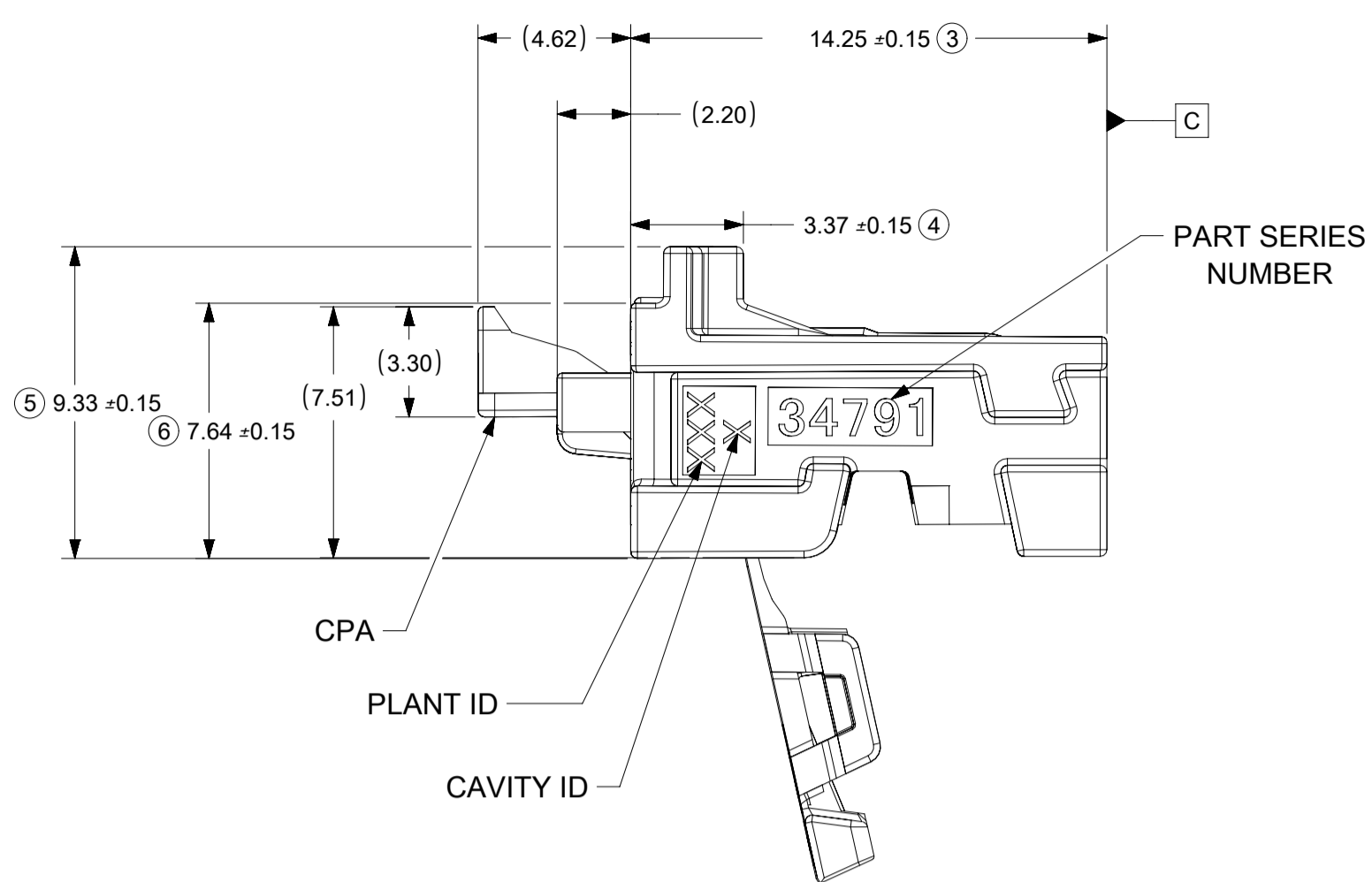
REMOVED BALLOON NUMBERS: 22-33

THIS DRAWING CONTAINS INFORMATION THAT IS PROPRIETARY TO MOLEX ELECTRONIC TECHNOLOGIES, LLC AND SHOULD NOT BE USED WITHOUT WRITTEN PERMISSION

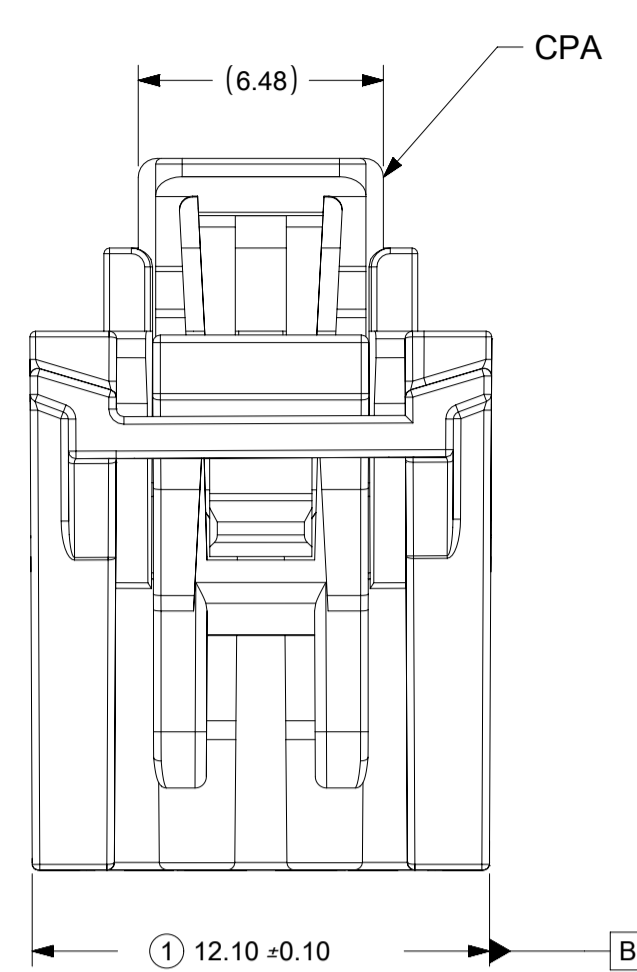
DIMENSION UNITS	SCALE	CURRENT REV DESC:		DESCRIPTION			
mm	5:1	EC NO: 652542		<p>MINI50 RECEPTACLE WITH CPA SALES DRAWING</p> <p>PRODUCT CUSTOMER DRAWING</p>			
GENERAL TOLERANCES (UNLESS SPECIFIED)		DRWN: SRUSS	2021/01/06				
ANGULAR TOL $\pm 1.0^\circ$		CHK'D: JDUNAJ	2021/01/06				
4 PLACES $\pm$		APPR: JDUNAJ	2021/01/06				
3 PLACES $\pm$		INITIAL REVISION:		DOCUMENT NUMBER	DOC TYPE	DOC PART	REVISION
2 PLACES $\pm 0.1$		DRWN: TMACHUGA	2013/10/15	SD-34824-003	PSD	001	M11
1 PLACE $\pm 0.2$		APPR: RBAUMAN	2013/11/13	CUSTOMER		SHEET NUMBER	
0 PLACES $\pm$		DRAFT WHERE APPLICABLE MUST REMAIN WITHIN DIMENSIONS		34824	GENERAL MARKET		1 OF 4

24CKT POLARIZATIONS ARE REPRESENTATIVE OF 16CKT AND 20CKT

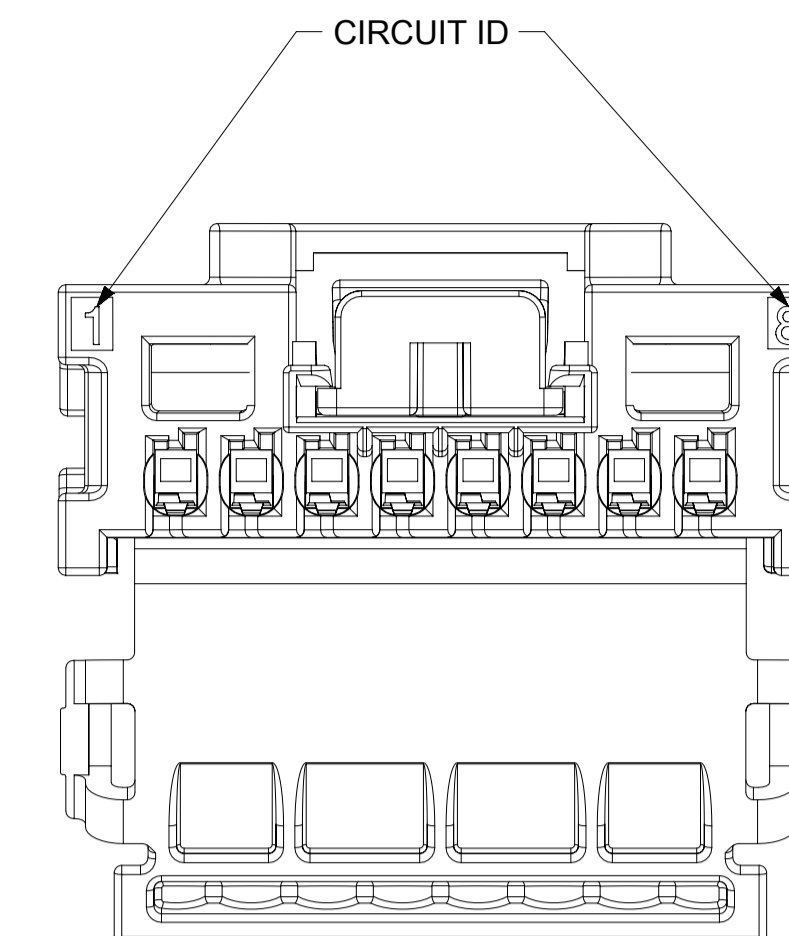
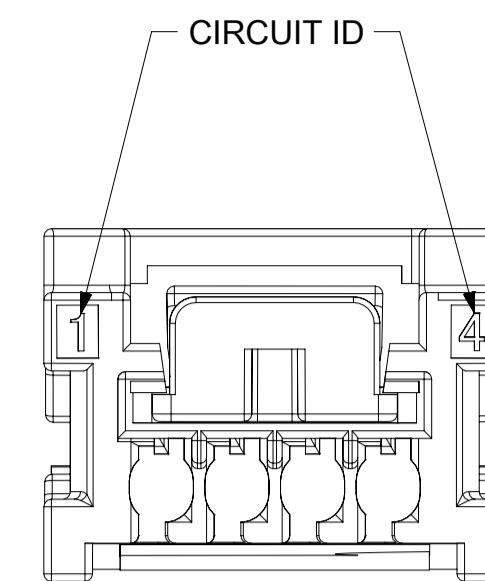
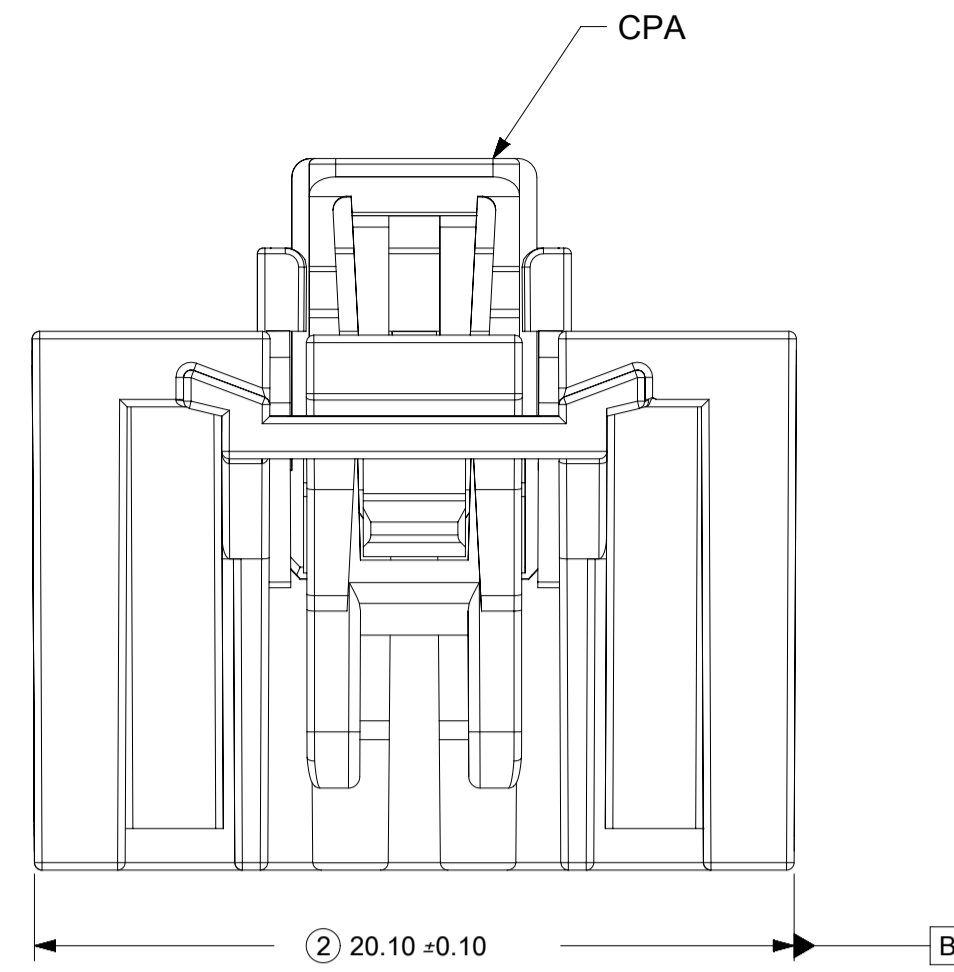
4CKT BRIDGE OPTION WITH CPA IN PRE-LOCK



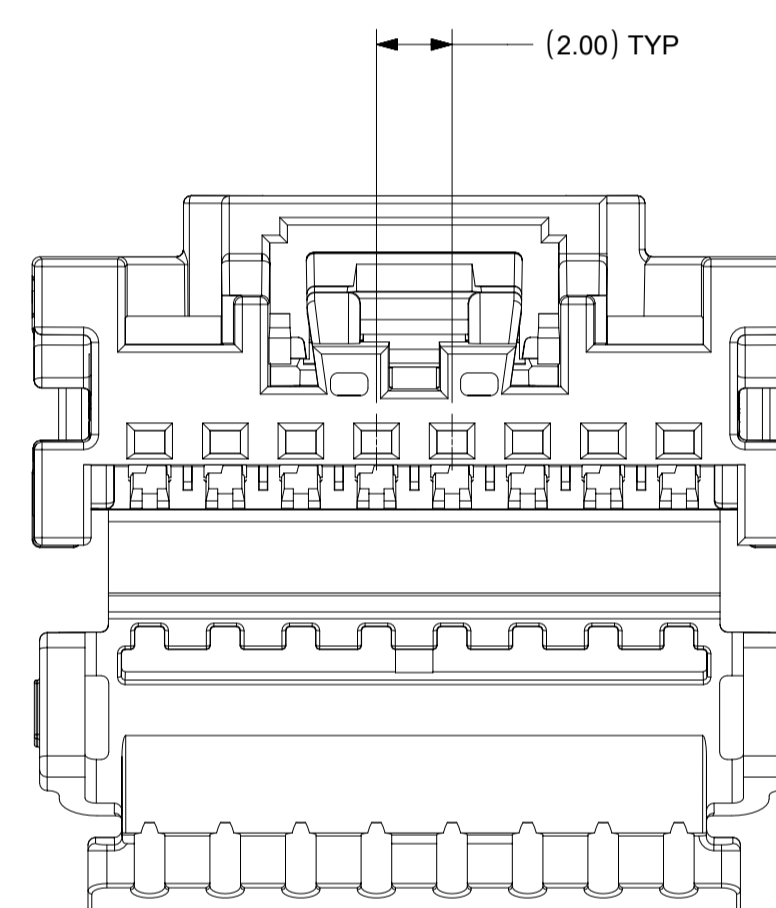
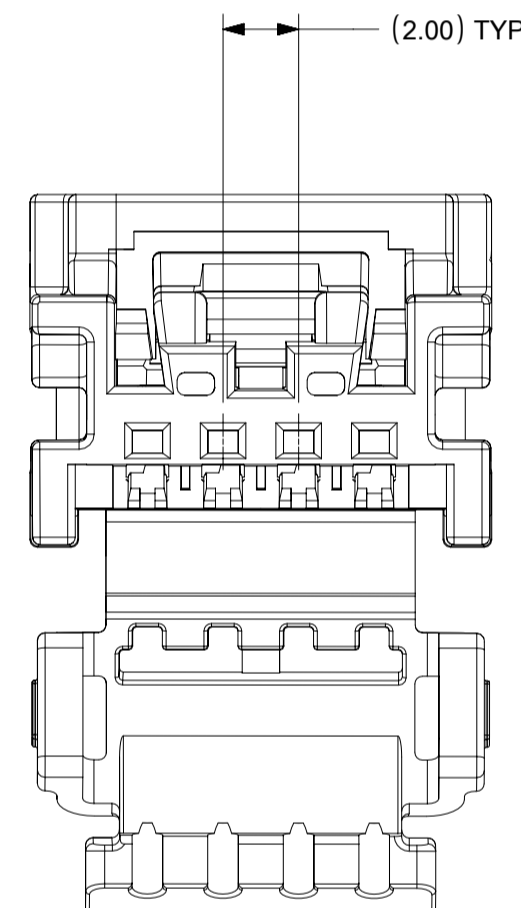
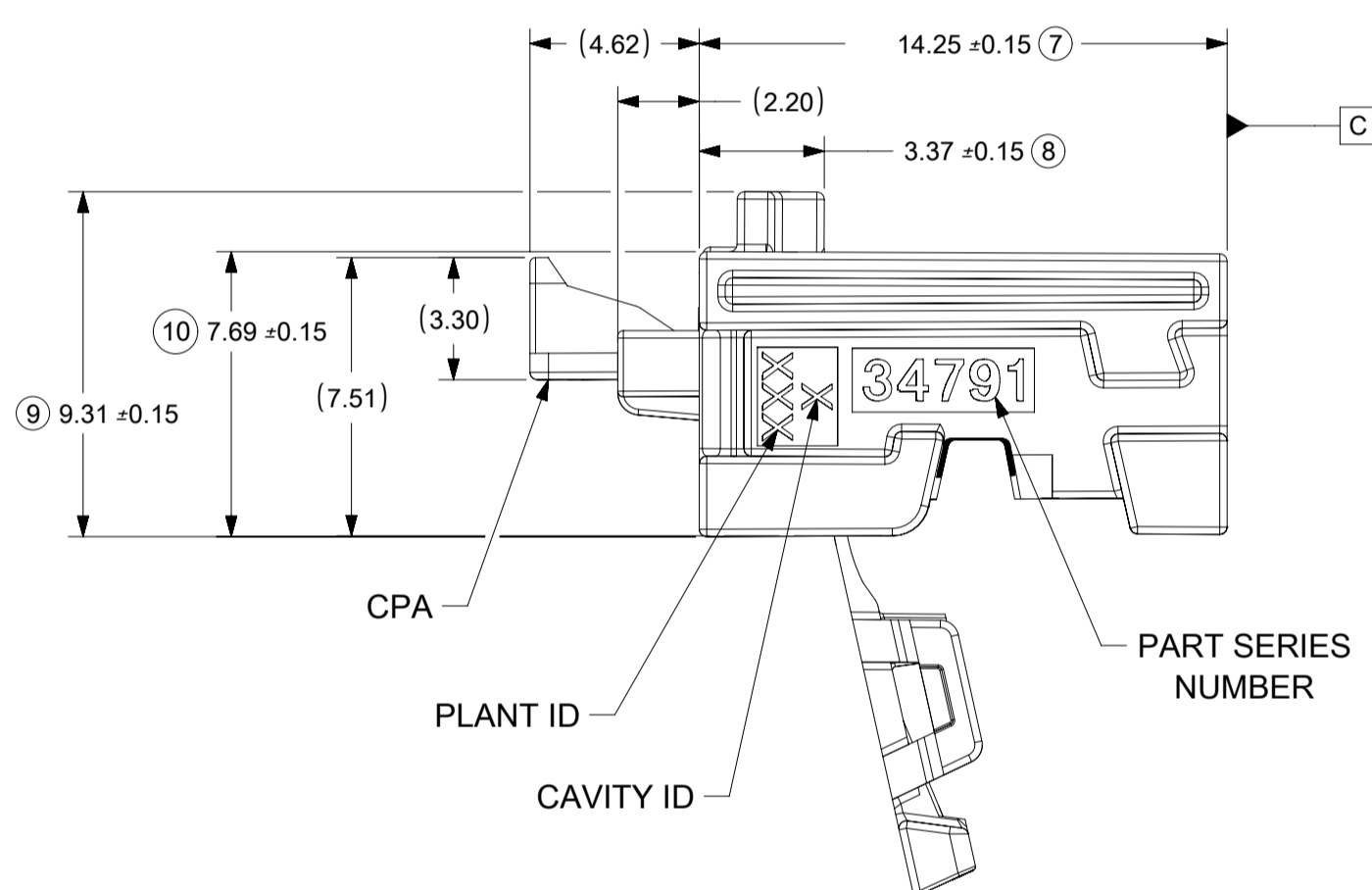
4CKT USCAR COMPATIBLE RECEPTACLE WITH CPA



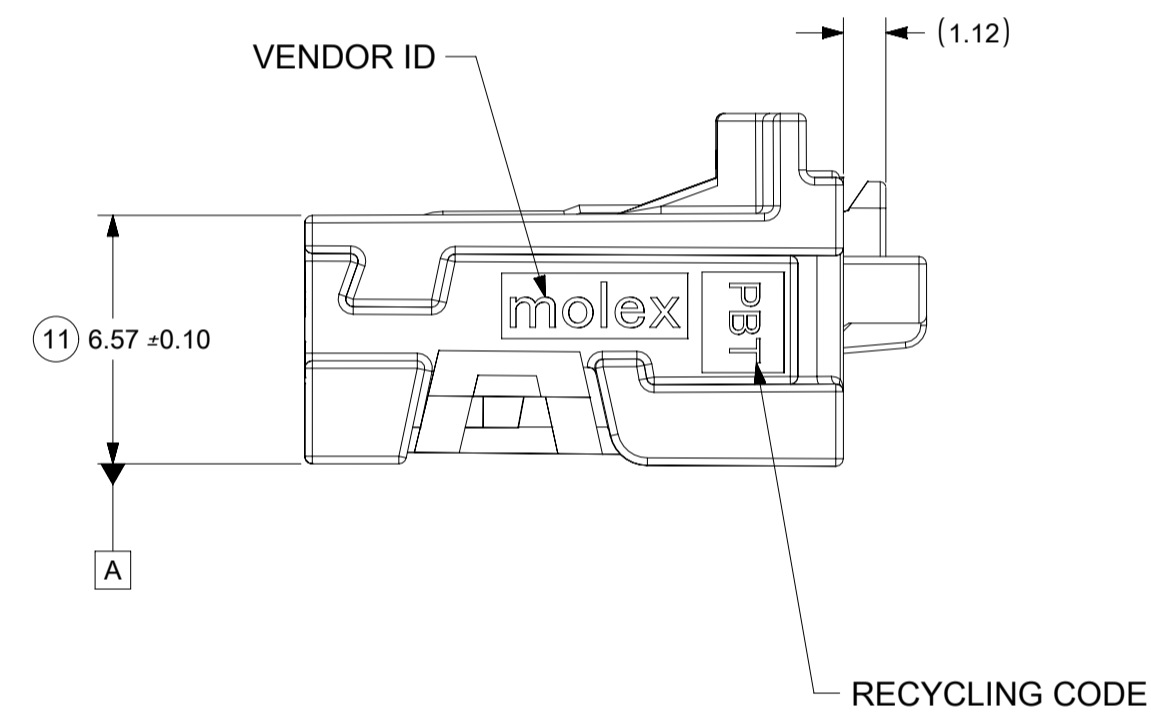
8CKT USCAR COMPATIBLE RECEPTACLE WITH CPA



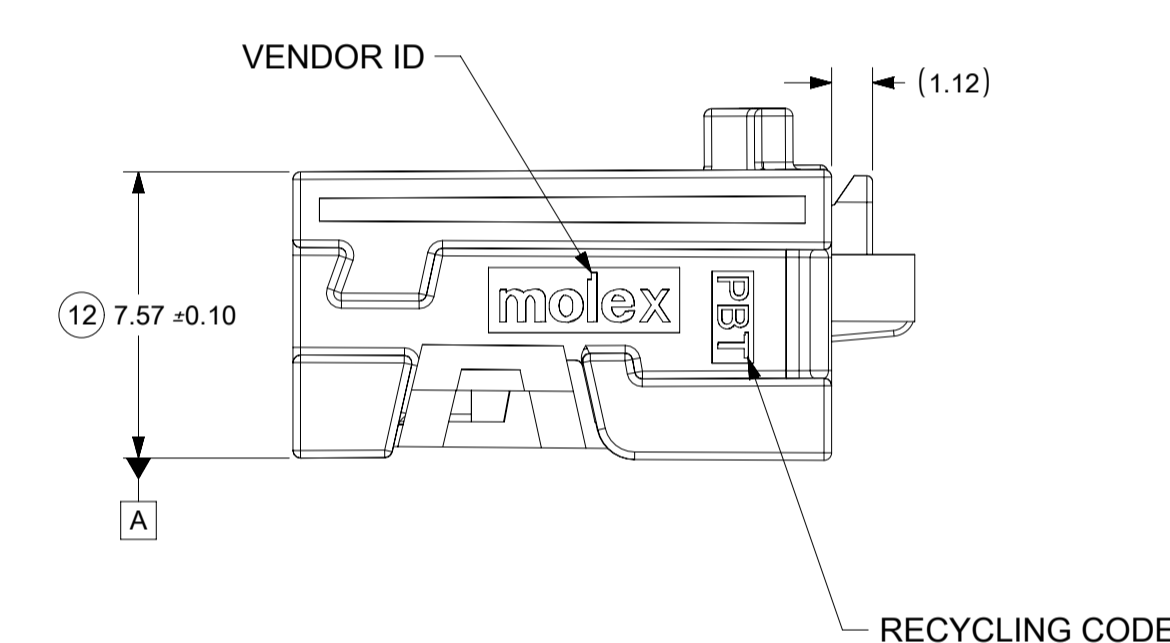
8CKT BRIDGE OPTION WITH CPA IN PRE-LOCK



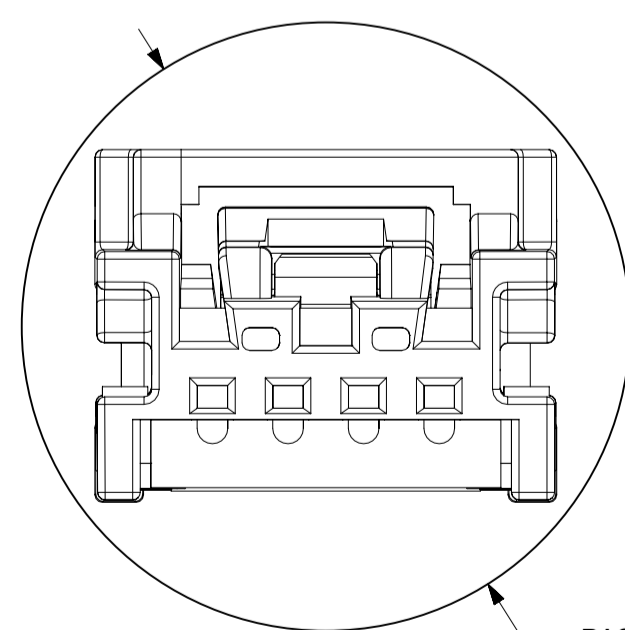
4CKT HINGE CLOSED CPA IN FINAL POSITION



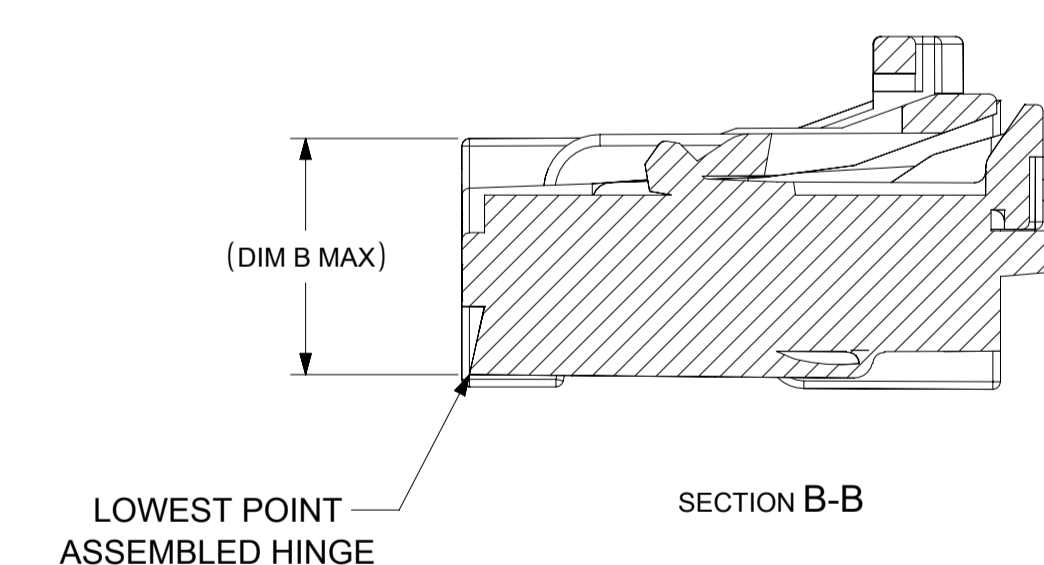
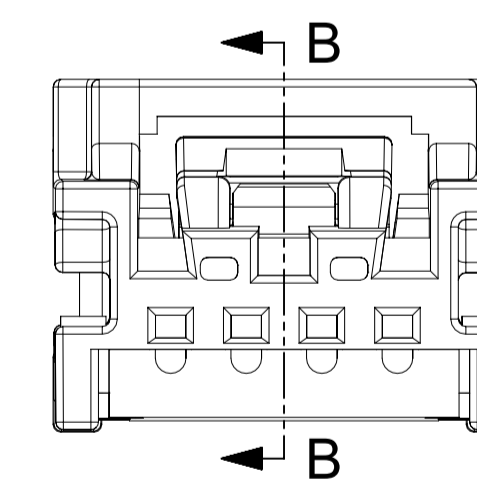
8CKT HINGE CLOSED CPA IN FINAL POSITION



4CKT HINGE CLOSED



PASS THRU DIAMETER  
Ø DIM A  
1MM ADDITIONAL CLEARANCE  
ADDED TO TIGHTEST FIT CIRCLE



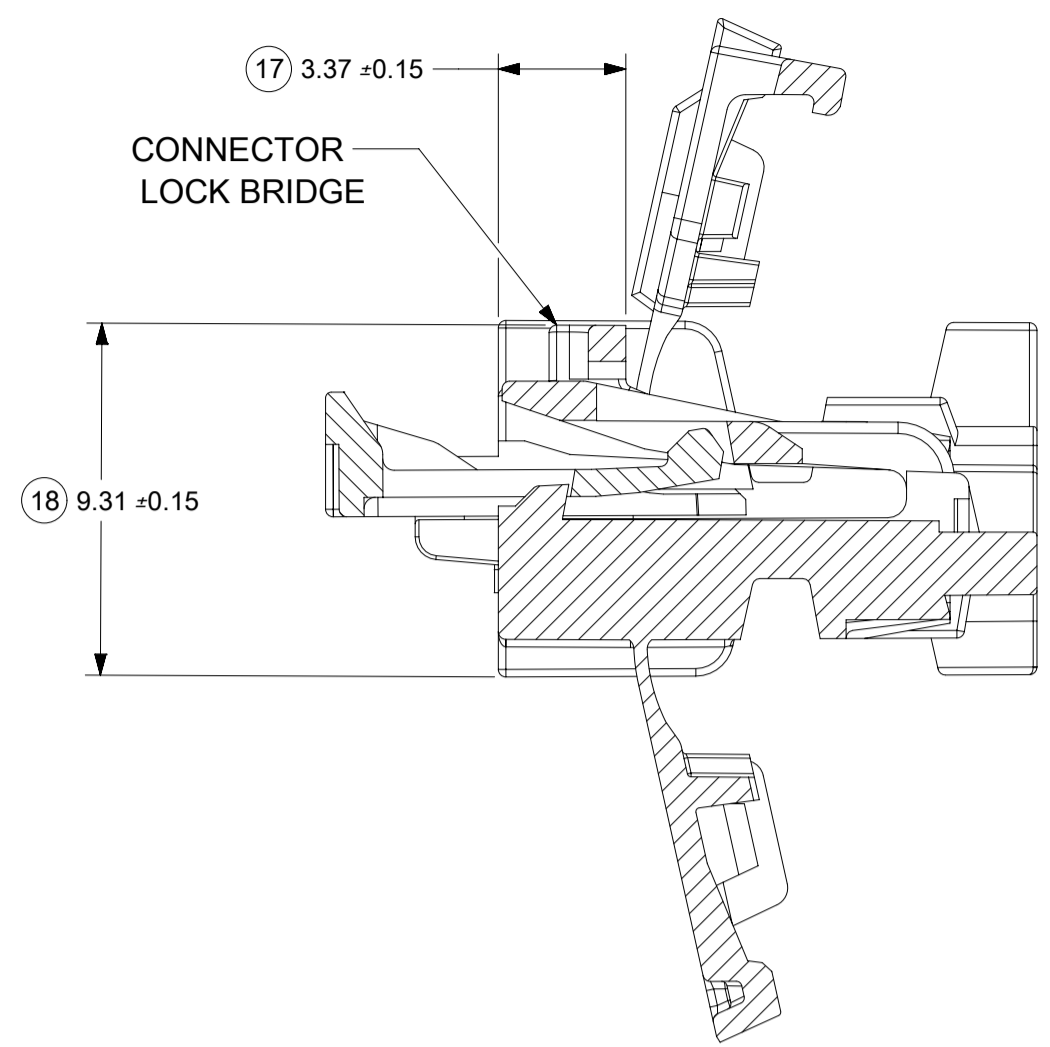
CHARTED DIMENSIONS		
DESCRIPTION	DIMENSION	
	A	B
4 CKT	16.09	6.77
8 CKT	22.52	7.77
12 CKT	23.18	8.47
16 CKT	26.87	8.47
20 CKT	30.65	8.47
24 CKT	34.47	8.47

THIS DRAWING CONTAINS INFORMATION THAT IS PROPRIETARY TO MOLEX ELECTRONIC TECHNOLOGIES, LLC AND SHOULD NOT BE USED WITHOUT WRITTEN PERMISSION

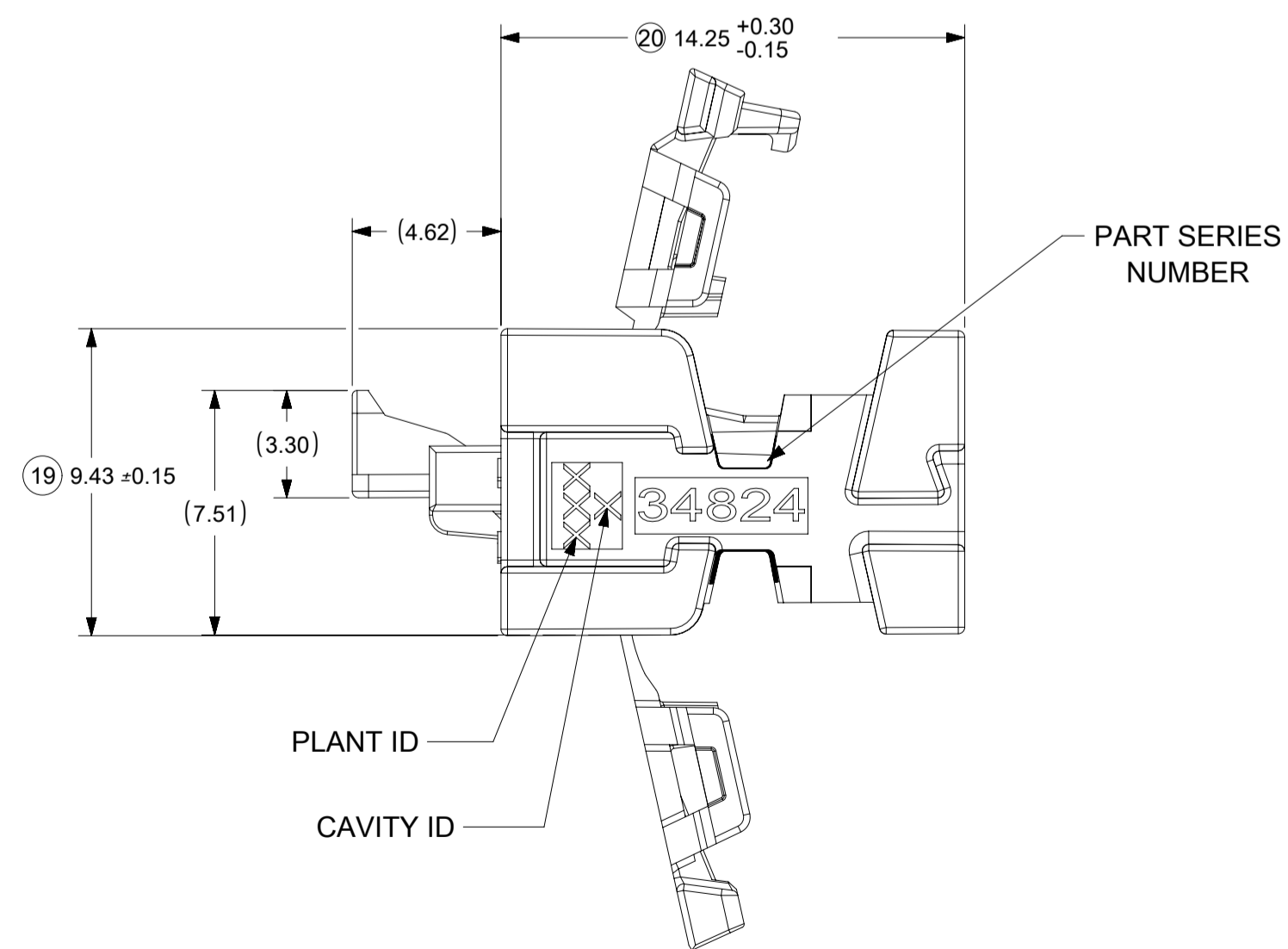
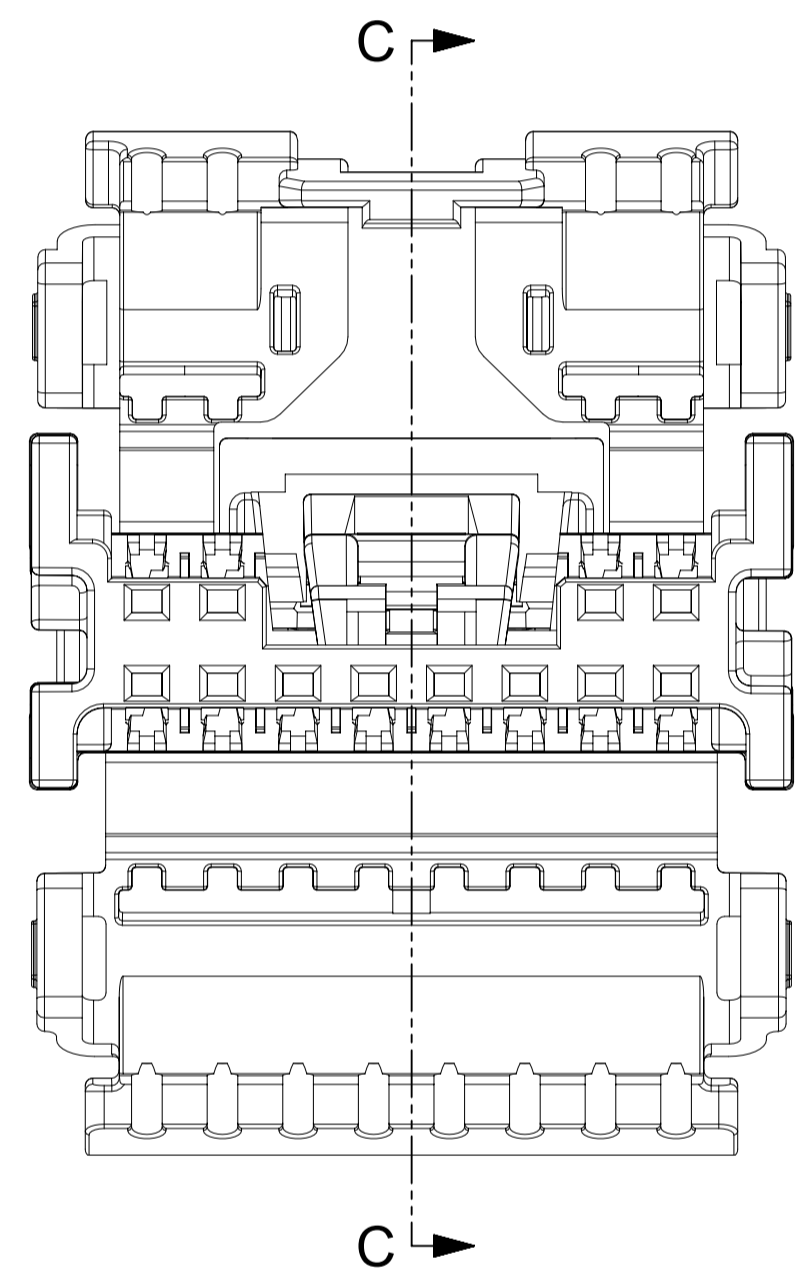
DIMENSION UNITS <b>mm</b>	SCALE <b>5:1</b>	CURRENT REV DESC:	
GENERAL TOLERANCES (UNLESS SPECIFIED)		EC NO: 652542	
ANGULAR TOL ± 1.0°		4 PLACES ±	2021/01/06
3 PLACES ±		3 PLACES ±	2021/01/06
2 PLACES ± 0.1		2 PLACES ±	2021/01/06
1 PLACE ± 0.2		1 PLACE ±	
0 PLACES ±		0 PLACES ±	
DRAFT WHERE APPLICABLE MUST REMAIN WITHIN DIMENSIONS		THIRD ANGLE PROJECTION	DRAWING
			<b>A1-SIZE</b>
		SERIES	<b>34824</b>
		MATERIAL NUMBER	
		CUSTOMER	<b>GENERAL MARKET</b>
		SHEET NUMBER	<b>2 OF 4</b>

<b>molex</b>			
MINI50 RECEPTACLE WITH CPA SALES DRAWING			
PRODUCT CUSTOMER DRAWING			
DOCUMENT NUMBER	DOC TYPE	DOC PART	REVISION
<b>SD-34824-003</b>	<b>PSD</b>	<b>001</b>	<b>M11</b>

DUAL ROW LOCK BRIDGE OPTION

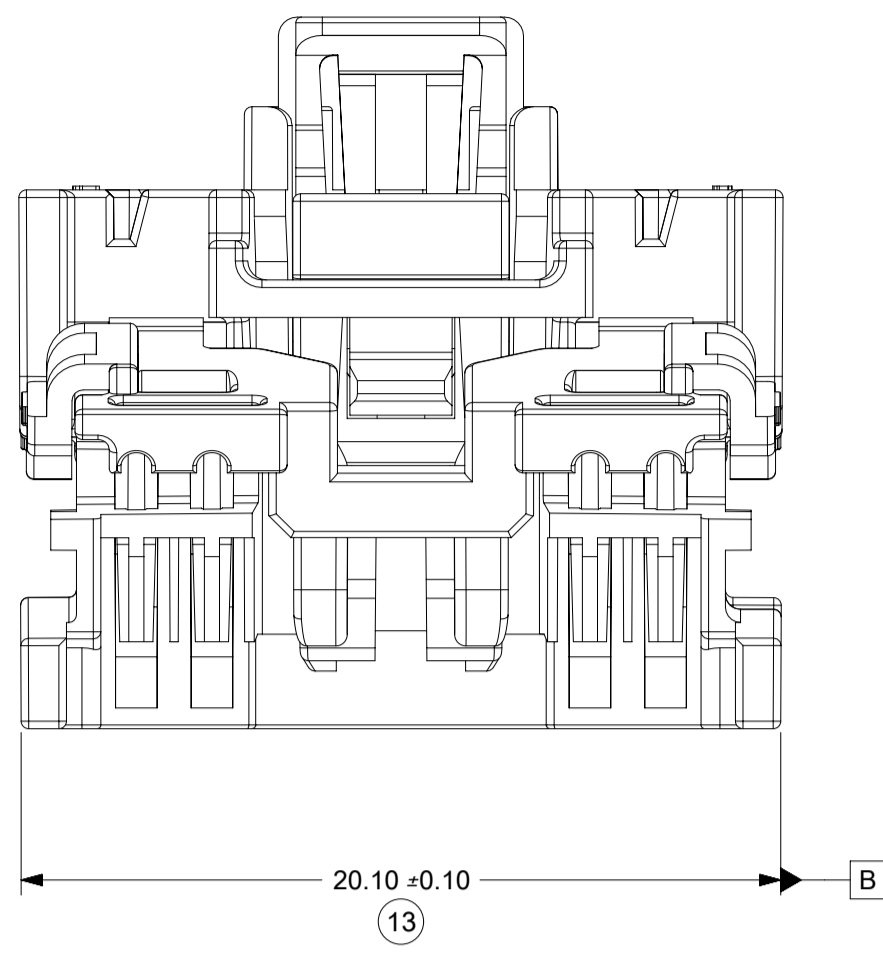


SECTION C-C

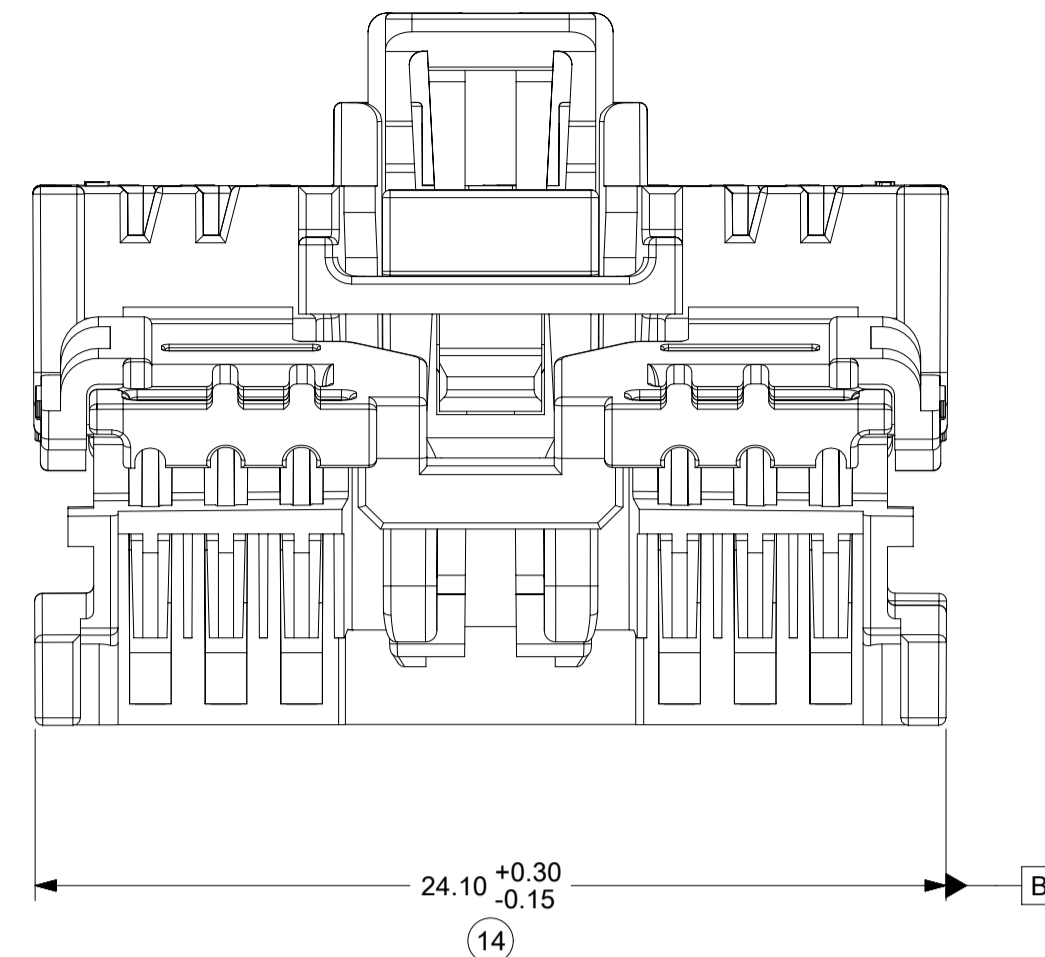


\*NOTE: DIM 20 TOLERANCE IS +0.20/-0.15 FOR P/N 34824-2244/5/6

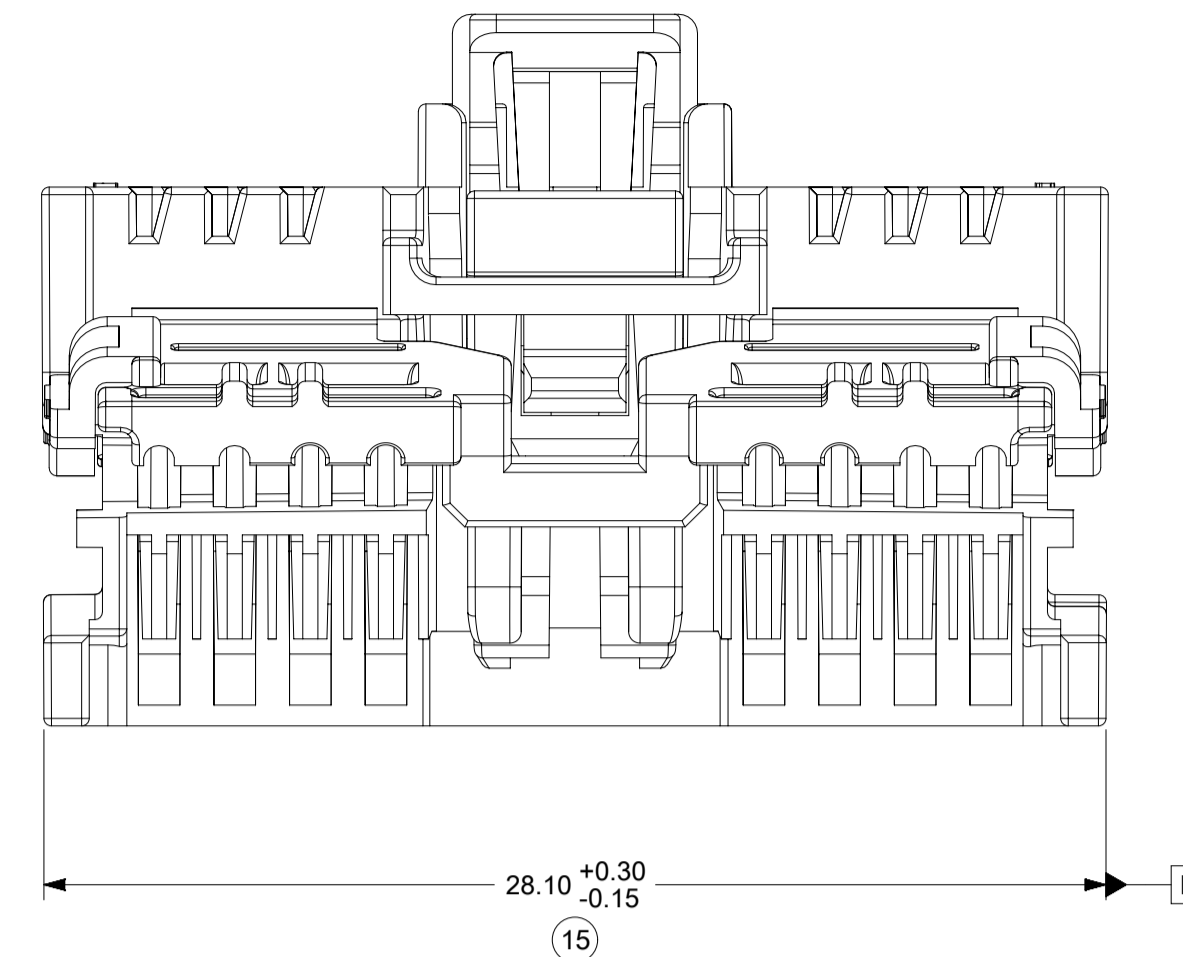
12CKT USCAR COMPATIBLE RECEPTACLE WITH CPA



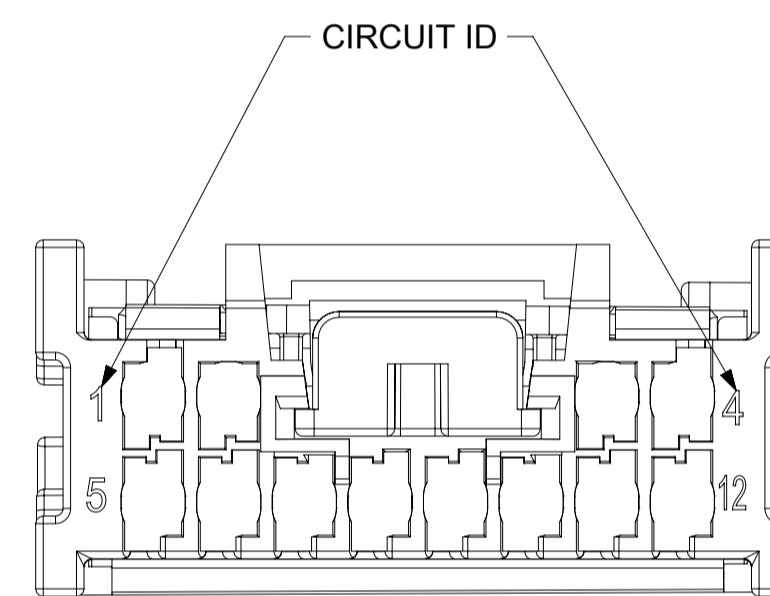
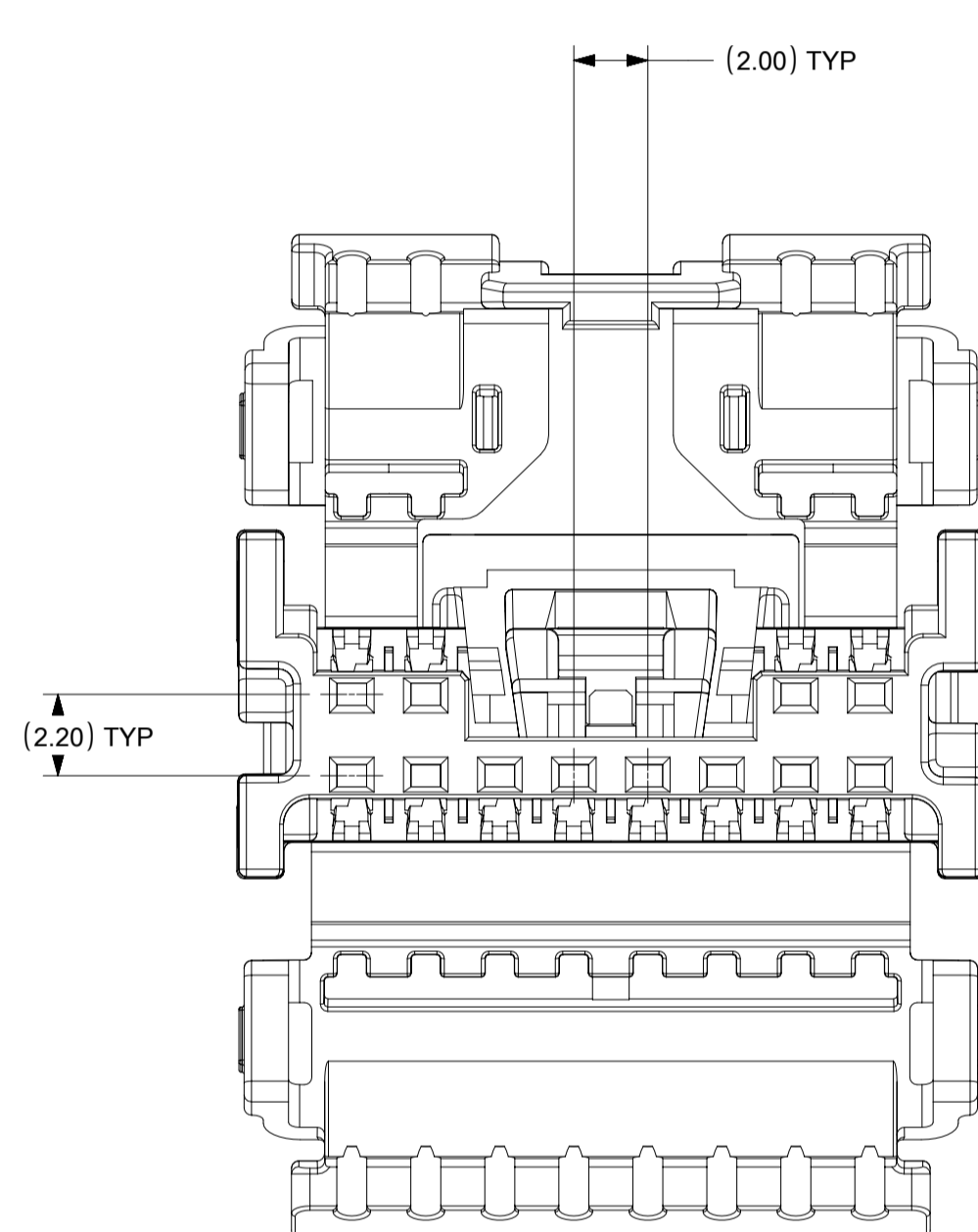
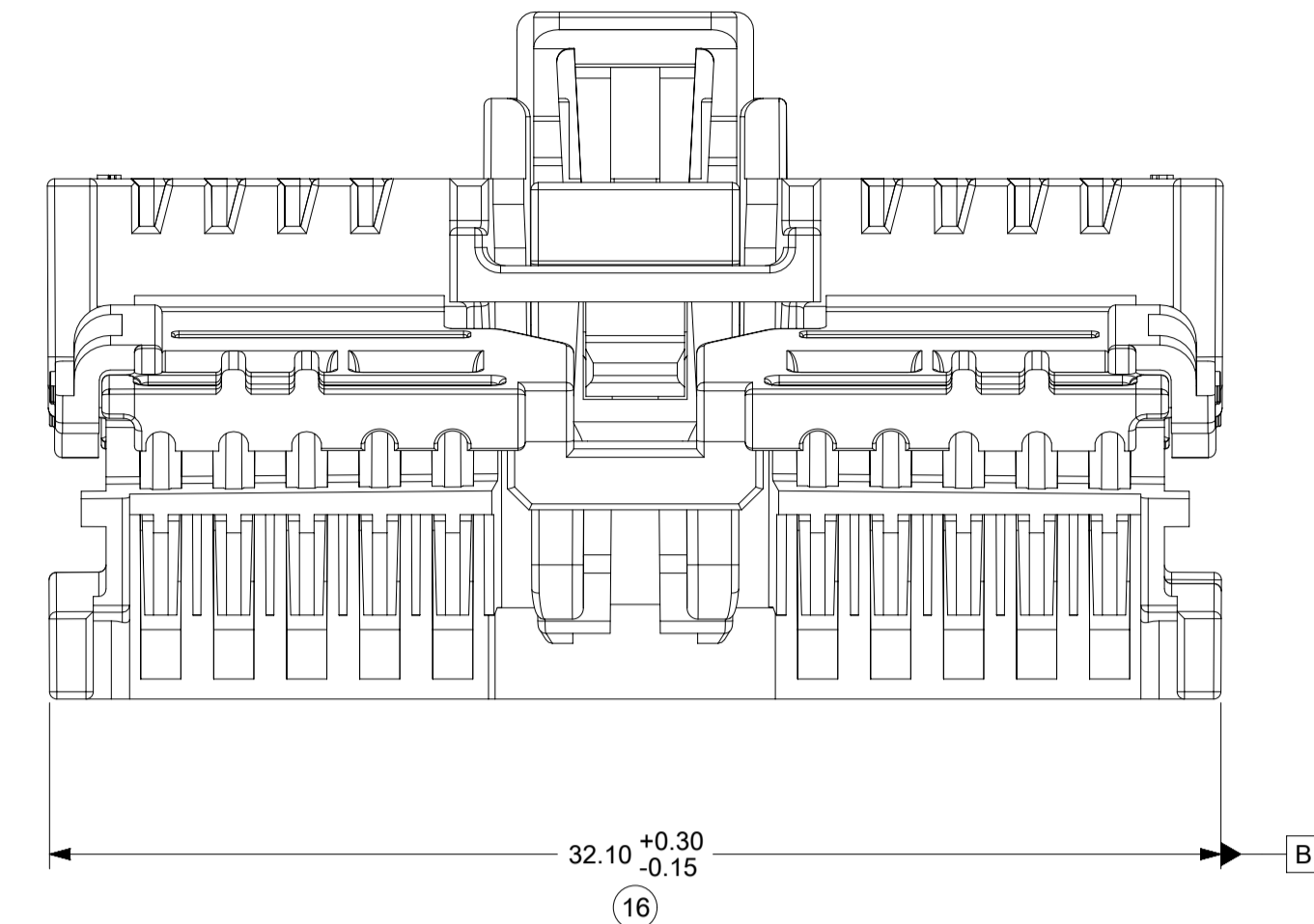
16CKT USCAR COMPATIBLE RECEPTACLE WITH CPA



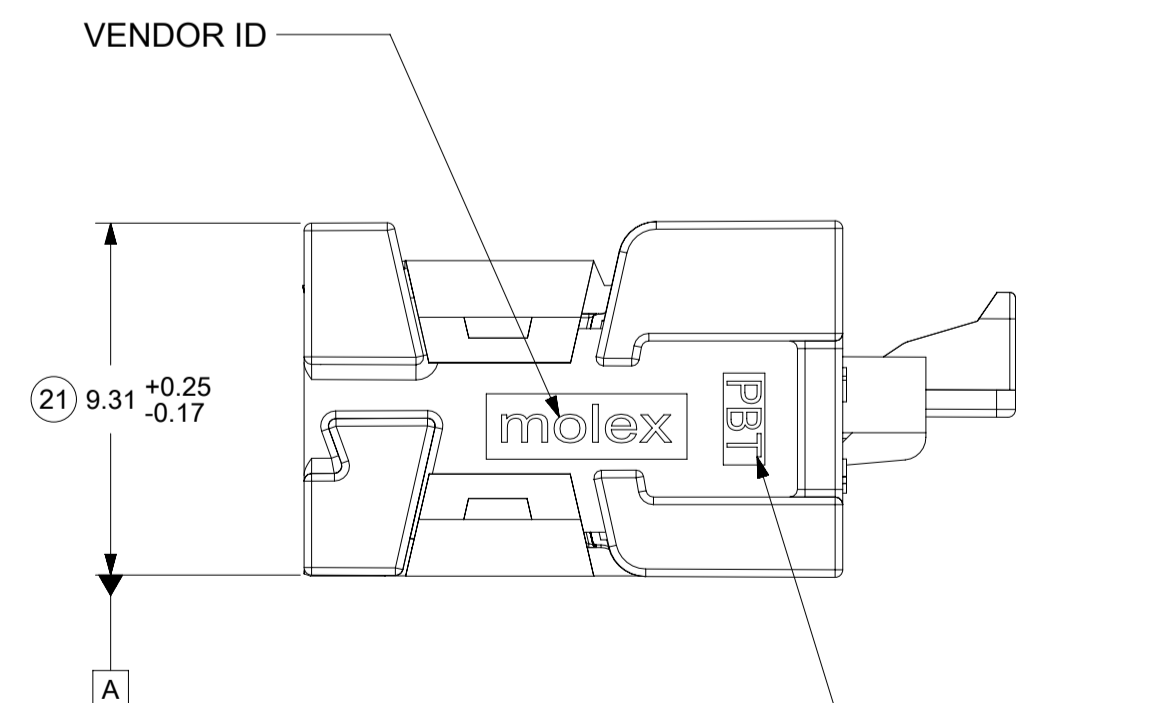
20CKT USCAR COMPATIBLE RECEPTACLE WITH CPA



24CKT USCAR COMPATIBLE RECEPTACLE WITH CPA



HINGES CLOSED



\*NOTE: DATUMS A AND C ARE SIMILAR FOR 12-24CKT CONNECTORS

THIS DRAWING CONTAINS INFORMATION THAT IS PROPRIETARY TO MOLEX ELECTRONIC TECHNOLOGIES, LLC AND SHOULD NOT BE USED WITHOUT WRITTEN PERMISSION

DIMENSION UNITS	SCALE	CURRENT REV DESC:				
mm	5:1					
GENERAL TOLERANCES (UNLESS SPECIFIED)				MINI50 RECEPTACLE WITH CPA SALES DRAWING		
ANGULAR TOL	± 1.0°	EC NO: 652542		PRODUCT CUSTOMER DRAWING		
4 PLACES	±	DRWN: SRUSS		DOCUMENT NUMBER		
3 PLACES	±	CHK'D: JDUNAJ		SD-34824-003		
2 PLACES	± 0.1	APPR: JDUNAJ		DOC TYPE   DOC PART   REVISION		
1 PLACE	± 0.2	INITIAL REVISION:		PSD   001   M11		
0 PLACES	±	DRWN: TMACHUGA		MATERIAL NUMBER		
DRAFT WHERE APPLICABLE MUST REMAIN WITHIN DIMENSIONS				CUSTOMER		
THIRD ANGLE PROJECTION		DRAWING		SHEET NUMBER		
		A1-SIZE		3 OF 4		
		SERIES		GENERAL MARKET		
		34824				

DOCUMENT STATUS	P1	RELEASE DATE	2021/01/06	20:34:33
-----------------	----	--------------	------------	----------

## SINGLE ROW ASSEMBLY (RECEPTACLE WITH CPA)

MOLEX MATERIAL NUMBER BULK PACKAGING PK-31301-538	GENERAL MOTORS PART NUMBER	CONFIGURATION	MATERIAL TYPE	CIRCUIT	POL	COLOR	MATING COMPONENT							
							SURFACE MOUNT TECHNOLOGY (SMT) HEADER		VERTICAL THRU HOLE HEADER			RIGHT ANGLE THRU HOLE HEADER		
							TAPE AND REEL PACKAGING PK-31301-786	TUBE PACKAGING PK-31301-688	TRAY PACKAGING PK-31301-440	TUBE PACKAGING PK-31301-688	TAPE AND REEL PACKAGING PK-47799-0001	TRAY PACKAGING PK-31301-440	TUBE PACKAGING PK-31301-688	TAPE AND REEL PACKAGING PK-47799-0001
34791-5140	13507113	USCAR	PBT	4	A	BLACK	34912-8040	34912-9040	34792-0040	34792-9040	34792-8040	34793-0040	34793-9040	34793-8040
34791-5141	13507115	USCAR		4	B	LIGHT GRAY	34912-8041	34912-9041	34792-0041	34792-9041	34792-8041	34793-0041	34793-9041	34793-8041
34791-5142	13507116	USCAR		4	C	DARK GRAY	34912-8042	34912-9042	34792-0042	34792-9042	34792-8042	34793-0042	34793-9042	34793-8042
34791-5143	13507117	USCAR		4	D	GREEN	34912-8043	34912-9043	34792-0043	34792-9043	34792-8043	34793-0043	34793-9043	34793-8043
34791-5180	13507118	USCAR		8	A	BLACK	34912-8080	34912-9080	34792-0080	34792-9080	34792-8080	34793-0080	34793-9080	34793-8080
34791-5181	13507119	USCAR		8	B	LIGHT GRAY	34912-8081	34912-9081	34792-0081	34792-9081	34792-8081	34793-0081	34793-9081	34793-8081
34791-5182	13507120	USCAR		8	C	DARK GRAY	34912-8082	34912-9082	34792-0082	34792-9082	34792-8082	34793-0082	34793-9082	34793-8082

## DUAL ROW ASSEMBLY (RECEPTACLE WITH CPA)

MOLEX MATERIAL NUMBER BULK PACKAGING PK-31301-538	GENERAL MOTORS PART NUMBER	CONFIGURATION	MATERIAL TYPE	CIRCUIT	POL	COLOR	MATING COMPONENT							
							SURFACE MOUNT TECHNOLOGY (SMT) HEADER		VERTICAL THRU HOLE HEADER			RIGHT ANGLE THRU HOLE HEADER		
							TAPE AND REEL PACKAGING PK-31301-786	TUBE PACKAGING PK-31301-688	TRAY PACKAGING PK-31301-440	TUBE PACKAGING PK-31301-688	TAPE AND REEL PACKAGING PK-47799-0001	TRAY PACKAGING PK-31301-440	TUBE PACKAGING PK-31301-688	TAPE AND REEL PACKAGING PK-47799-0001
34824-2164	N/A	USCAR	ECOPAXX	16	A	BLACK	34897-8160	34897-9160	34825-0160	34825-9160	34825-8160	34826-0160	34826-9160	34826-8160
34824-2165	N/A	USCAR		16	B	LIGHT GRAY	34897-8161	34897-9161	34825-0161	34825-9161	34825-8161	34826-0161	34826-9161	34826-8161
34824-2166	N/A	USCAR		16	C	DARK GRAY	34897-8162	34897-9162	34825-0162	34825-9162	34825-8162	34826-0162	34826-9162	34826-8162
34824-2204	13596105	USCAR		20	A	BLACK	34897-8200	34897-9200	34825-0200	34825-9200	34825-8200	34826-0200	34826-9200	34826-8200
34824-2205	13596106	USCAR		20	B	LIGHT GRAY	34897-8201	34897-9201	34825-0201	34825-9201	34825-8201	34826-0201	34826-9201	34826-8201
34824-2206	13596107	USCAR		20	C	DARK GRAY	34897-8202	34897-9202	34825-0202	34825-9202	34825-8202	34826-0202	34826-9202	34826-8202
34824-2244	N/A	USCAR		24	A	BLACK	34897-8240	34897-9240	34825-0240	34825-9240	34825-8240	34826-0240	34826-9240	34826-8240
34824-2245	N/A	USCAR		24	B	LIGHT GRAY	34897-8241	34897-9241	34825-0241	34825-9241	34825-8241	34826-0241	34826-9241	34826-8241
34824-2246	N/A	USCAR	24	C	DARK GRAY	34897-8242	34897-9242	34825-0242	34825-9242	34825-8242	34826-0242	34826-9242	34826-8242	
34824-5124	13507121	USCAR	PBT	12	A	BLACK	34897-8120	34897-9120	34825-0124	34825-9124	34825-8124	34826-0124	34826-9124	34826-8124
34824-5125	13507122	USCAR		12	B	LIGHT GRAY	34897-8121	34897-9121	34825-0125	34825-9125	34825-8125	34826-0125	34826-9125	34826-8125
34824-5126	13507114	USCAR		12	C	DARK GRAY	34897-8122	34897-9122	34825-0126	34825-9126	34825-8126	34826-0126	34826-9126	34826-8126

\*NOTE: CONFIGURATION CONSISTS OF AN EXPANSION OF THE 12CKT USCAR-COMPATIBLE CONFIGURATION TO ALLOW FOR 16, 20, AND 24 CIRCUITS

### MINI50 CPA (APPLIED TO SINGLE & DUAL ROW BRIDGED RECEPTACLES)

MATERIAL NUMBER	COLOR	MATING COMPONENT
34824-7000	NATURAL	SEE CHARTS ABOVE

### CTX50 UNSEALED RECEPTACLE TERMINALS

PART NUMBER		MATERIAL	WIRE GAGE (mm <sup>2</sup> )	GRIP
D-WIND (LEFT PAYOFF)	B-WIND (RIGHT PAYOFF)			
560023-0448	560023-0450	COPPER ALLOY	0.35	LARGE
560023-0421	560023-0423	COPPER ALLOY	0.22	MEDIUM
560023-0422	560023-0424	COPPER ALLOY	0.13	SMALL

THIS DRAWING CONTAINS INFORMATION THAT IS PROPRIETARY TO MOLEX ELECTRONIC TECHNOLOGIES, LLC AND SHOULD NOT BE USED WITHOUT WRITTEN PERMISSION													
DIMENSION UNITS	SCALE	CURRENT REV DESC:			molex								
mm	1:1				MINI50 RECEPTACLE WITH CPA SALES DRAWING								
GENERAL TOLERANCES (UNLESS SPECIFIED)					PRODUCT CUSTOMER DRAWING								
ANGULAR TOL	± 1.0°	EC NO: 652542 DRWN: SRUSS CHK'D: JDUNAJ APPR: JDUNAJ			2021/01/06 2021/01/06 2021/01/06								
4 PLACES	±												
3 PLACES	±												
2 PLACES	± 0.1												
1 PLACE	± 0.2	INITIAL REVISION: DRWN: TMACHUGA APPR: RBAUMAN			2013/10/15 2013/11/13								
0 PLACES	±												
DRAFT WHERE APPLICABLE MUST REMAIN WITHIN DIMENSIONS		THIRD ANGLE PROJECTION		DRAWING		SERIES		MATERIAL NUMBER		CUSTOMER		SHEET NUMBER	
				A1-SIZE		34824		SD-34824-003		PSD 001 M11		4 OF 4	