

ES-1108R-LSAE

1.0 ELECTRICAL CHARACTERISTICS:

1.1 ABSOLUTE MAXIMUM RATING :

ITEM	SYM	LIMITS	UNIT	REMARK
INPUT VOLTAGE	VIN	15	VDC	
OUTPUT POWER	PD	6.5	W	TOTAL OUTPUT POWER
OPERATING TEMPERATURE	Top	0 - 50	°C	
STORAGE TEMPERATURE	Tstg	-20 - 85	°C	
RELATIVE HUMIDITY	RH	95	%	

1.2 OPERATING CHARACTERISTICS :

ITEM	SYM	Min.	TYP.	Max.	UNIT	REMARK
INPUT VOLTAGE	Vin	10.80	12.00	13.20	VDC	Measure at CN1
INPUT CURRENT	Iin	-----	0.56	0.73	ADC	AT 12VDC INPUT 25°C
LAMP CURRENT (Min.)	Imin	1.50	2.00	2.50	mA	RMS VALUE, Vdim=5V
LAMP CURRENT (Max.)	Imax	5.50	6.00	6.50	mA	RMS VALUE, Vdim=0V
OUTPUT FREQUENCY	Fo	45.00	55.00	65.00	KHz	
NO LOAD O/P VOLTAGE	Vnl	-----	1600	1800	Vrms	MEASURE ON TRANSFORMER SIDE
CONTROL ON VOLTAGE	Von	2.50	-----	5.00	VDC	
CONTROL OFF VOLTAGE	Voff	0	0	0.50	VDC	
DIMMING CONTROL	Vdim	0	-----	5.00	VDC	
NO LOAD SHUTDOWN TIME	Tsd	-----	1.00	-----	SEC.	

2.0 INTERFACE SPECIFICATION :

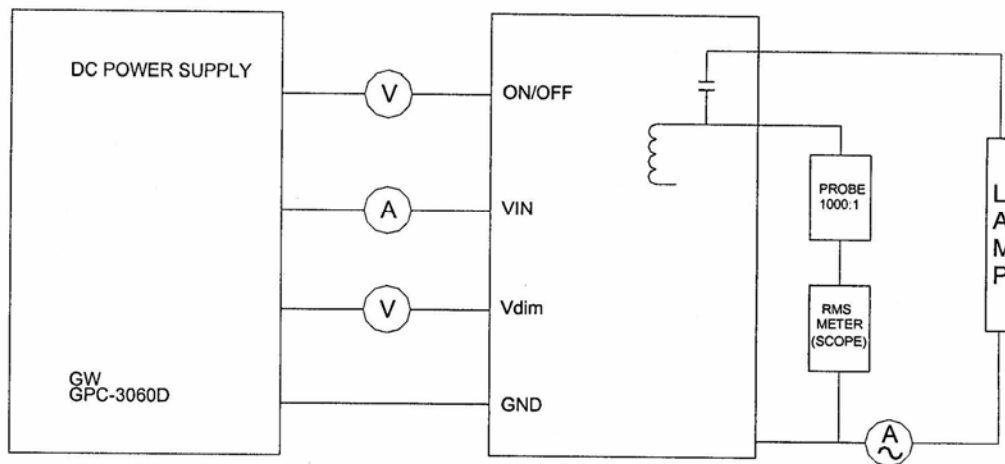
2.1 INPUT CONNECTOR (CN1) : S5B-PH-SM3-TB OR EQUIV

PIN NUMBER	FUNCTION	REMARK
1	VIN	
2	DIMMING CONTROL	
3,4	GND	
5	ON/OFF CONTROL	

2.2 OUTPUT CONNECTOR (CN3,CN5) : SM02(8.0)B-BHS-1-TB OR EQUIV.

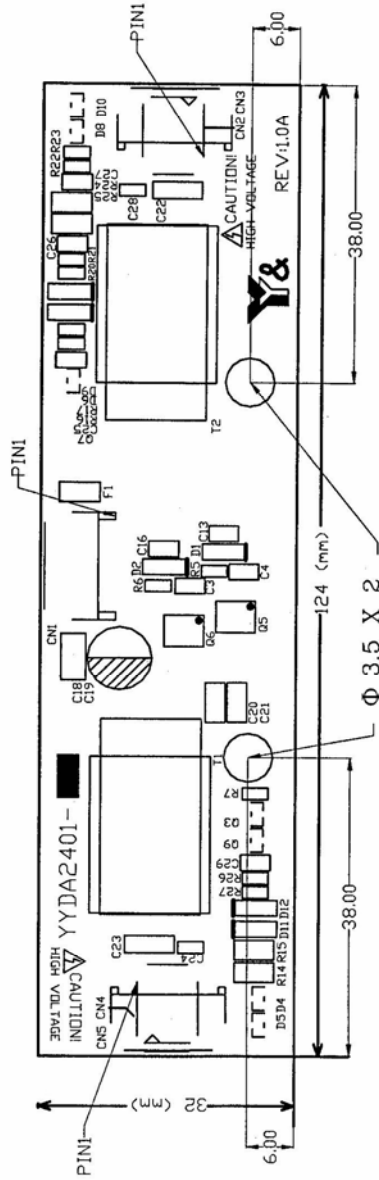
PIN NUMBER	FUNCTION	REMARK
1	CCFL HV OUTPUT	
2	CCFL RTN	

3.0 TESTING BLOCK DIAGRAM :

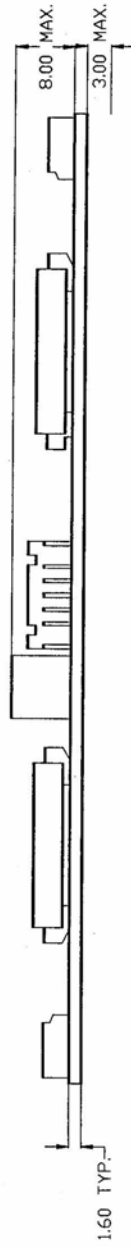


EQUIPMENT:

1. PROBE : TEKTRONIX P6015A 1000X
2. SCOPE : TEKTRONIX TDS3032
3. AC CURRENT METER: TEKTRONIX TM502A+AM503B CURRENT PROBE SYSTEM
4. DC POWER SUPPLY GW GPC-3060D



TOLERANCE : $\pm 0.25\text{mm}$
 UNIT : mm



- INPUT CONNECTOR (CN1): S5B-PH-SM3-TB OR EQUIV. OUTPUT CONNECTOR (CN3,5): SM02(8.0)B-BHS-1-TB OR EQUIV.
 PIN 1: VIN PIN 1: CCFL HV OUTPUT
 PIN 2: DIMMING CONTROL PIN 2: CCFL RTN
 PIN 3,4: GND
 PIN 5: ON/OFF CONTROL