

Current Transducer NNC-920..960A

$I_{PN} = 2000..6000 \text{ A}$

For the electronic measurement of currents: DC, AC, pulsed, mixed, with a galvanic isolation between the primary circuit (high power) and the secondary circuit (electronic circuit).



Electrical data

Primary D.C. current I_{PN} (A)	Primary current measuring range I_p (A)	Type	
2000	± 2300	NNC-920A	2000A-10V
3000	± 3400	NNC-930A	3000A-10V
4000	± 4500	NNC-940A	4000A-10V
5000	± 5600	NNC-950A	5000A-10V
6000	± 6600	NNC-960A	6000A-10V
V_C	Supply voltage ($\pm 5\%$)	± 15	V
I_C	Current consumption	$< \pm 30$	mA
V_d	R.m.s. voltage for AC isolation test, 50/60 Hz, 1 mn	2.5	kV
R_{IS}	Isolation resistance @ 500 VDC	> 500	M Ω
V_{OUT}	Output voltage @ $\pm I_{PN}$, $R_L = 10 \text{ k}\Omega$, $T_A = 25^\circ\text{C}$	± 10	V
R_L	Load resistance	10	k Ω

Features

- Hall effect measuring principle
- Galvanic isolation between primary and secondary circuit
- Isolation voltage 2500V
- Low power consumption

Advantages

- Easy to mount
- Small size and space saving
- Large-current application
- High immunity to external interference.

Applications

- AC variable speed drives
- Uninterruptible Power Supplies (UPS)
- Battery supplied applications
- Power supplies for welding applications, cable TV, communication devices
- Commutator power supplies
- Electric transmission

Accuracy - Dynamic performance data

X	Accuracy @ I_{PN} , $T_A = 25^\circ\text{C}$ (without offset)	$< \pm 1$	% of I_{PN}
e_L	Linearity ($0.. \pm I_{PN}$)	$< \pm 1$	% of I_{PN}
V_{OE}	Electrical offset voltage, $T_A = 25^\circ\text{C}$	$< \pm 50$	mV
V_{OH}	Hysteresis offset voltage @ $I_p = 0$; after an excursion of $1 \times I_{PN}$	$< \pm 70$	mV
V_{OT}	Thermal drift of V_{OE}	$< \pm 2$	mV/K
TCE_G	Thermal drift (% of reading)	$< \pm 0.1$	%/K
t_r	Response time @ 90% of I_p	< 25	μs

General data

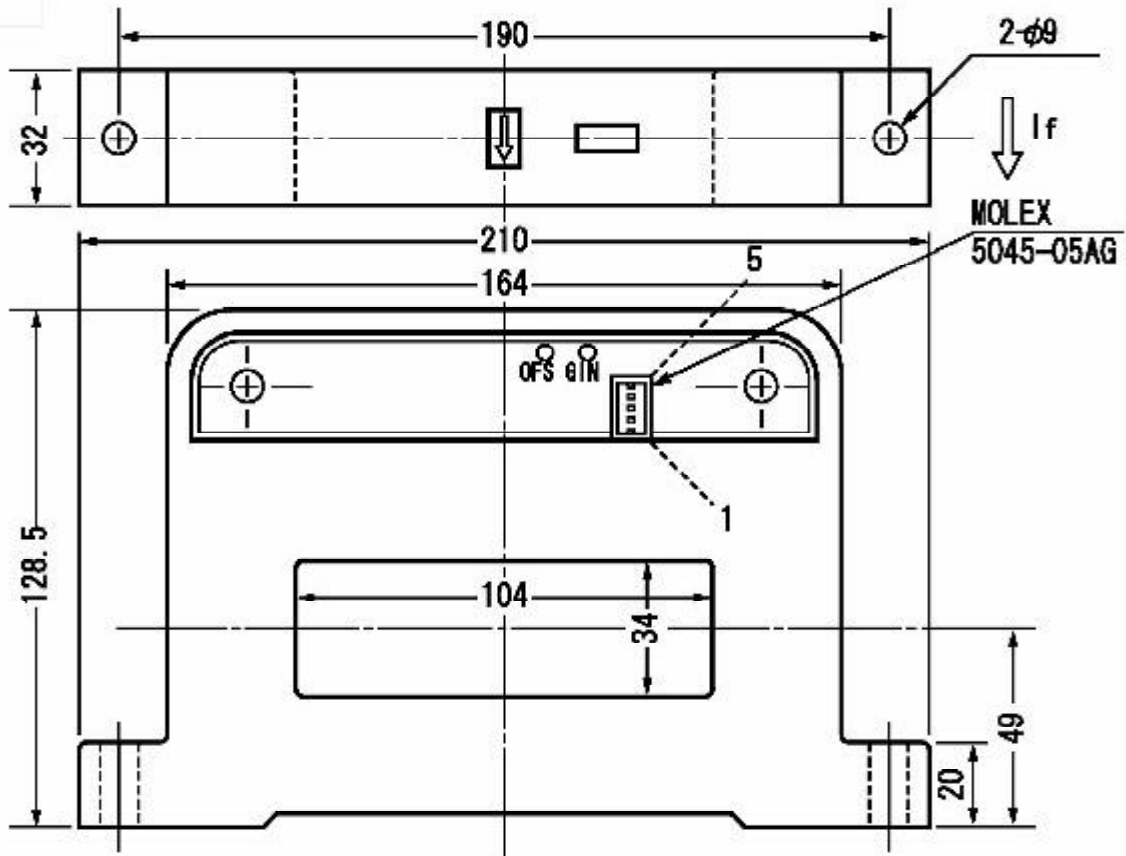
T_A	Ambient operating temperature	-10 .. +50	$^\circ\text{C}$
T_S	Ambient storage temperature	-15 .. +60	$^\circ\text{C}$
m	Mass	1.7	Kg

Notes :

040824/3

NNC-920..960A

Dimensions (in mm)



Connector Pin Identification

