

MD-215 Series

15-inch rugged industrial displays



Features and Benefits

- 15-inch industrial-grade display
- -40 to 70°C wide-temperature design
- 1000-nit sunlight-readable LCD
- Glove-friendly, multi-touch screen (touchscreen model only)
- Fanless system design
- Dual power supplies (AC & DC)
- DNV GL and MR certified for marine applications

Certifications



Introduction

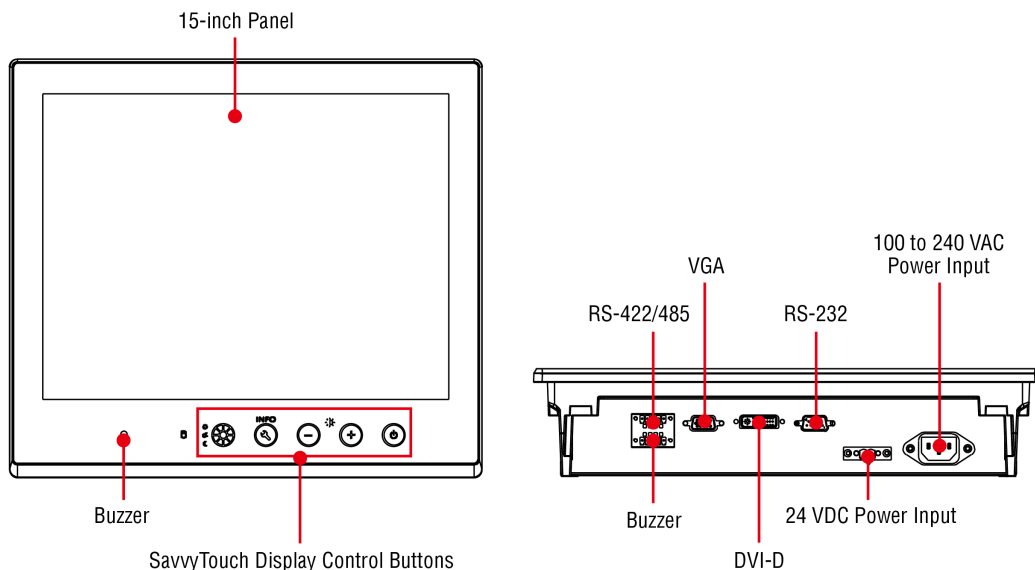
The MD-215 15-inch display has a rugged design for deployment in industrial environments. The display uses VGA and DVI-D video signals to support a 1024 x 768 resolution, and comes with RS-232/422/485 ports for connecting serial devices.

The MD-215 displays are designed with a wide, -40 to 70°C temperature range, making them some of the most reliable industrial platforms available for harsh, hot, indoor/outdoor environments.

The MD-215 Series also features a 1000-nit LCD panel offering a sunlight-readable, projected-capacitive, glove-friendly, multi-touch screen, providing an excellent touch panel for outdoor applications.

The MD-215 Series supports both VESA- and panel-mounting, which can be implemented with accessories that can be purchased separately from Moxa.

Appearance



Specifications

Display

Aspect Ratio	4:3
Contrast Ratio	700:1
Max. No. of Colors	16.7M (8-bit/color)
Panel Size	15-inch viewable image
Panel Type	MVA
Pixels	1280 x 1024
Response Time	20 ms (gray to gray)
Viewing Angles	160°/140°
Light Intensity (Brightness)	1000 cd/m ²

Computer Interface

Serial Ports	RS-232 ports x 1 (DB9 male) RS-232/422/485 ports x 1, software-selectable (terminal block)
Video Input	DVI-D x 1, 29-pin DVI-D connectors (female) VGA x 1, 15-pin D-sub connector (female)

Touch Function

Touch Type	MD-215Z-T: Capacitive Touch (PCAP) MD-215X-T: None
Touch Support Points	MD-215Z-T: 4 points

Serial Interface

Baudrate	50 bps to 115.2 kbps
Data Bits	5, 6, 7, 8
Flow Control	RTS/CTS, XON/XOFF, ADDC® (automatic data direction control) for RS-485, RTS Toggle (RS-232 only)
Parity	None, Even, Odd, Space, Mark
Stop Bits	1, 1.5, 2

Serial Signals

RS-232	TxD, RxD, RTS, CTS, DTR, DSR, DCD, GND
RS-422	Tx+, Tx-, Rx+, Rx-, GND
RS-485-2w	Data+, Data-, GND
RS-485-4w	Tx+, Tx-, Rx+, Rx-, GND

Power Parameters

Input Voltage	100 to 240 VAC, 18 to 36 VDC
Power Consumption	40 W (max.)

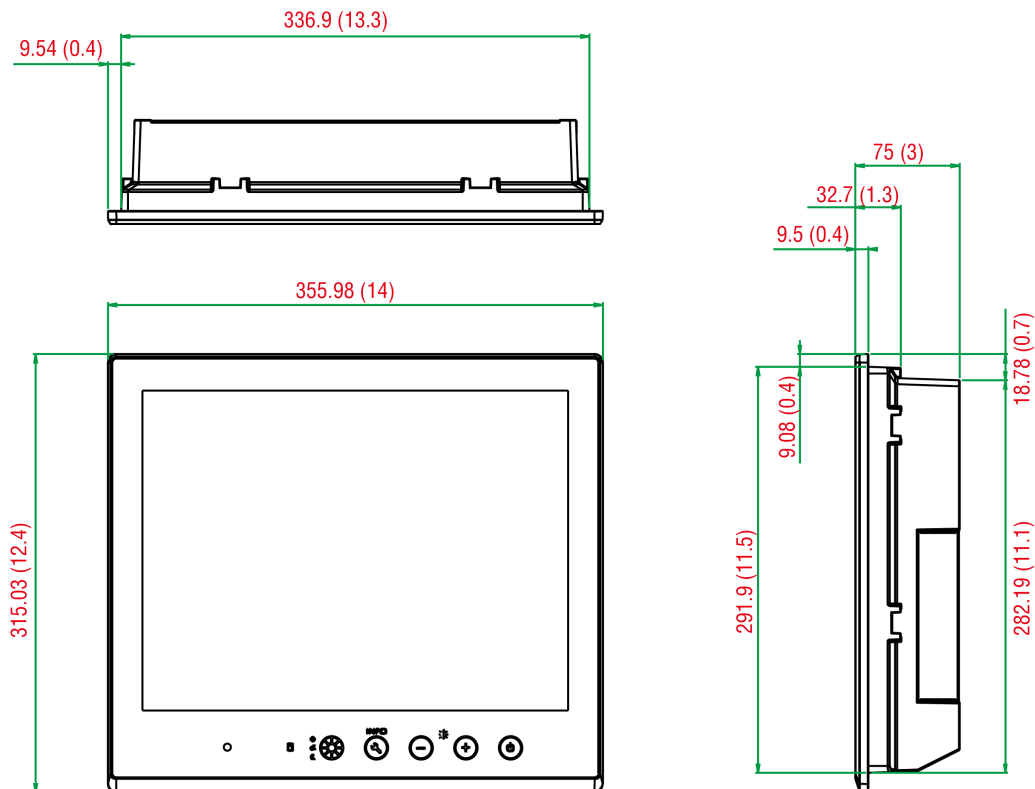
Physical Characteristics

Housing	Metal
IP Rating	IP66, front

	IP20, rear
Dimensions	429 x 387 x 75 mm (16.89 x 15.24 x 2.95 in)
Weight	6,100 g (13.45 lb)
Installation	Desktop, Panel mounting
Environmental Limits	
Operating Temperature	-40 to 70°C (-40 to 158°F)
Storage Temperature (package included)	-40 to 70°C (-40 to 158°F)
Ambient Relative Humidity	5 to 95% (non-condensing)
Standards and Certifications	
EMC	EN 55032/24
EMI	CISPR 32, FCC Part 15B Class A
EMS	IEC 61000-4-2 ESD: Contact: 4 kV; Air: 8 kV IEC 61000-4-3 RS: 80 MHz to 1 GHz: 3 V/m IEC 61000-4-4 EFT: Power: 1 kV; Signal: 0.5 kV IEC 61000-4-5 Surge: Power: 2 kV; Signal: 1 kV IEC 61000-4-6 CS: 1k V
Maritime	DNV-GL, IEC 60945
Safety	IEC 60950-1, UL 60950-1
Warranty	
Warranty Period	LCD: 1 year System: 3 years
Details	See www.moxa.com/warranty
Package Contents	
Device	1 x MD-215 Series display
Cable	1 x DVI-D cable 1 x VGA
Installation Kit	1 x terminal block, 2-pin 1 x terminal block, 5-pin 1 x panel-mounting kit
Documentation	1 x document and software CD 1 x quick installation guide 1 x warranty card

Dimensions

Unit: mm (inch)



Ordering Information

Model Name	Panel	Video Inputs	Touchscreen	Power Input	IP Rating	Operating Temp.
MD-215X-T	15" (4:3) 1000 nits	1 x VGA 1 x DVI-D	-	12/24 VDC (9-30 V) 100-240 VAC	IP66 (front), IP20 (rear)	-40 to 70°C
MD-215Z-T	15" (4:3) 1000 nits	1 x VGA 1 x DVI-D	Multi-touch	12/24 VDC (9-30 V) 100-240 VAC	IP66 (front), IP20 (rear)	-40 to 70°C

Accessories (sold separately)

VESA Mounting Kits

MPC-MD-2-15-VESAMTK

VESA kit for 15-inch panels (can be used with 100 x 100 mm or 75 x 75 mm VESA mounts)

Applicable Models:

MD-215Z-T
MD-215X-T

© Moxa Inc. All rights reserved. Updated Jul 01, 2020.

This document and any portion thereof may not be reproduced or used in any manner whatsoever without the express written permission of Moxa Inc. Product specifications subject to change without notice. Visit our website for the most up-to-date product information.