

The E10679-02 and E10679-51 are D-type socket assemblies for the R9880U series metal package photomultiplier tubes.

The E10679-02 has an output cable, while the E10679-51 has output pins for mounting on a circuit board.

FEATURES

- Cable Output and Pin Output
- Compact and Lightweight



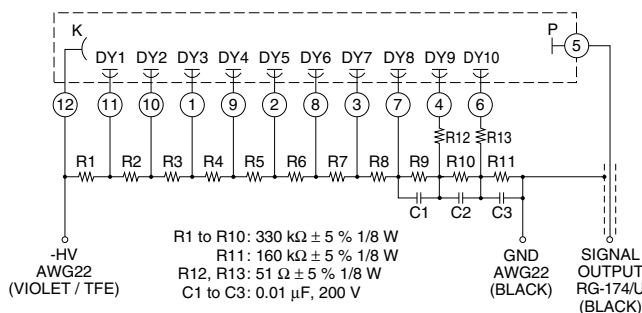
Left: E10679-02, Right: E10679-51

SPECIFICATIONS

Parameter	E10679-02	E10679-51	Unit
Grounded Electrode / Supply Voltage Polarity	Anode / Negative		—
Max. Insulation Voltage Between Case and Terminals	1100		V
Max. Supply Voltage Between Power Supply Terminals	1100		V
Max. Voltage Divider Current (at Max. Power Supply Voltage)	0.32		mA
Power Consumption (at Max. Power Supply Voltage)	350		mW
Insulation Resistance Between Case and Terminals	Min.	1×10^{11}	Ω
Leakage Current in Signal	Max.	1×10^{-10}	A
Total Voltage Divider Resistance	3.46		M Ω
Max. Linear Output in DC Mode (at Max. Power Supply Voltage)	16		μ A
Signal Output	DC/Pulse		—
Operating Ambient Temperature	0 to +50		$^{\circ}$ C
Storage Temperature	-15 to +60		$^{\circ}$ C
Weight	17	4.8	g

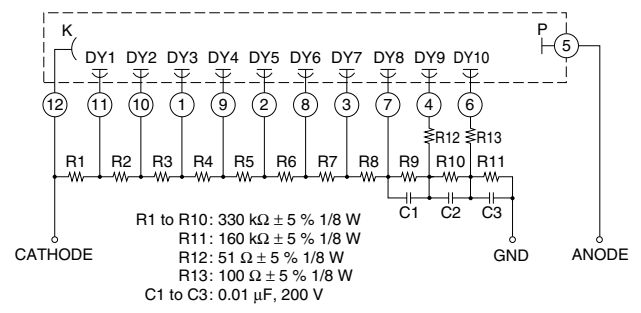
CIRCUIT DIAGRAMS

E10679-02



TACCC0165EA

E10679-51

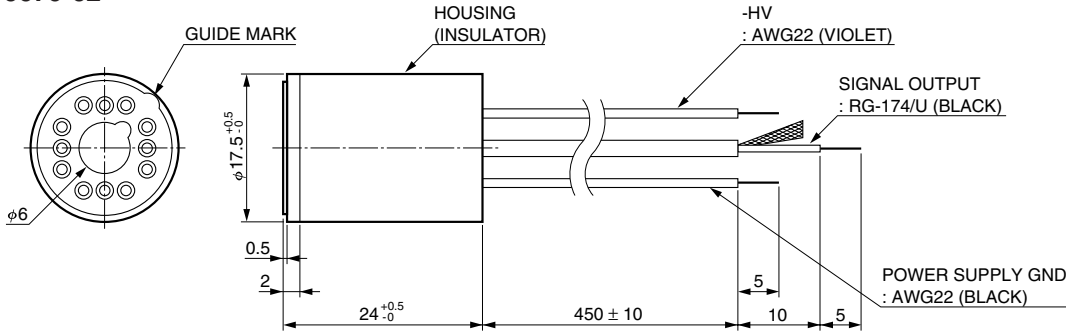


TACCC0166EA

D TYPE SOCKET ASSEMBLIES E10679-02, E10679-51

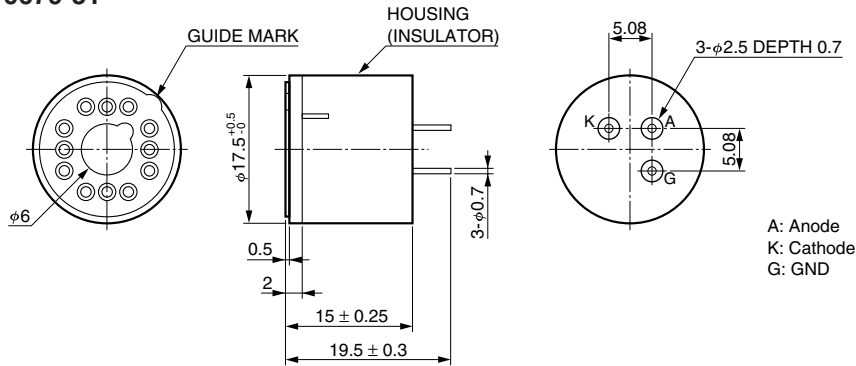
Dimensional Outline (Unit: mm)

E10679-02



* E10679-02 with SHV / BNC connector type (E10679-03) is also available.

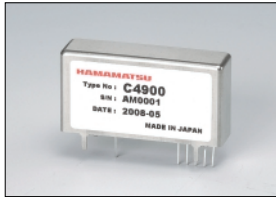
E10679-51



TACCA0299EC

RELATED PRODUCTS

HIGH VOLTAGE POWER SUPPLIES



C4900, C4900-01



C10940-03

Parameter	C4900	C4900-01	C10940-03	Unit
Input Voltage	+15	+12	+5	V
Input Current with Full Load	90	95	230	mA
Output Voltage	0 to -1250		-10 to -1200	V
Max. Output Current	0.6	0.5	0.6	mA
Dimensions (W × H × D)	46 × 24 × 12		15 × 18 × 15	mm
Weight	31		8.5	g
Operating Ambient Temperature	0 to +50			°C
Operating Ambient Humidity	Below 80 (No condensation)			%

HAMAMATSU PHOTONICS K.K. www.hamamatsu.com

HAMAMATSU PHOTONICS K.K., Electron Tube Division

314-5, Shimokanzo, Iwata City, Shizuoka Pref., 438-0193, Japan, Telephone: (81)539/62-5248, Fax: (81)539/62-2205

U.S.A.: Hamamatsu Corporation: 360 Foothill Road, Bridgewater, N.J. 08807-0910, U.S.A., Telephone: (1)908-231-0960, Fax: (1)908-231-1218 E-mail: usa@hamamatsu.com

Germany: Hamamatsu Photonics Deutschland GmbH: Arzbergerstr. 10, D-82211 Herrsching am Ammersee, Germany, Telephone: (49)8152-375-0, Fax: (49)8152-2658 E-mail: info@hamamatsu.de

France: Hamamatsu Photonics France S.A.R.L.: 19, Rue du Saule Trapu, Parc du Moulin de Massy, 91882 Massy Cedex, France, Telephone: (33)1 69 53 71 00, Fax: (33)1 69 53 71 10 E-mail: infos@hamamatsu.fr

United Kingdom: Hamamatsu Photonics UK Limited: 2 Howard Court, 10 Tewin Road, Welwyn Garden City, Hertfordshire AL7 1BW, United Kingdom, Telephone: (44)1707-294888, Fax: (44)1707-325777 E-mail: info@hamamatsu.co.uk

North Europe: Hamamatsu Photonics Norden AB: Torshamnsgatan 35 SE-164 40 Kista, Sweden, Telephone: (46)8-509-031-00, Fax: (46)8-509-031-01 E-mail: info@hamamatsu.se

Italy: Hamamatsu Photonics Italia S.r.l.: Strada della Moia, 1 int. 6, 20020 Arese (Milano), Italy, Telephone: (39)02-93581733, Fax: (39)02-93581741 E-mail: info@hamamatsu.it

China: Hamamatsu Photonics (China) Co., Ltd.: B1201 Jiaming Center, No.27 Dongsanhuan Beilu, Chaoyang District, Beijing 100020, China, Telephone: (86)10-6586-6006, Fax: (86)10-6586-2866 E-mail: hpc@hamamatsu.com.cn

TACC1061E01

JAN. 2014 IP