

PLEASE CHECK WWW.MOLEX.COM FOR LATEST PART INFORMATION

Part Number: **0500128100**
Status: **Active**
Description: 2.00mm (.079") Pitch Crimp Terminal, Bag, for 51006 Housing

Documents:

[3D Model](#) [Product Specification PS-51005-001 \(PDF\)](#)
[Drawing \(PDF\)](#) [RoHS Certificate of Compliance \(PDF\)](#)

General

Product Family Crimp Terminals
 Series 50012
 Crimp Quality Equipment Yes
 MolexKits Yes
 Product Name N/A

Physical

Gender Male
 Material - Metal Phosphor Bronze
 Material - Plating Mating Tin
 Material - Plating Termination Tin
 Packaging Type Bag
 Plating min: Mating (µin) 36
 Plating min: Mating (µm) 0.90
 Plating min: Termination (µin) 36
 Plating min: Termination (µm) 0.90
 Termination Interface: Style Crimp or Compression
 Wire Insulation Diameter 0.90-1.15mm (.035-.045")
 Wire Size AWG 24, 26, 28
 Wire Size mm² N/A

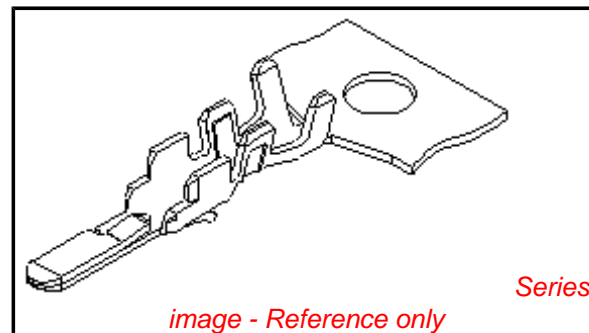
Electrical

Current - Maximum per Contact 2A
 Voltage - Maximum 125V

Material Info

Reference - Drawing Numbers

Product Specification PS-51005-001
 Sales Drawing SD-50012-001



EU RoHS

**ELV and RoHS
 Compliant**
**REACH SVHC
 Contains SVHC: No**
**Halogen-Free
 Status**
Halogen-Free

China RoHS



**Need more information on product
 environmental compliance?**

Email productcompliance@molex.com
 For a multiple part number RoHS Certificate of
 Compliance, [click here](#)

Please visit the [Contact Us](#) section for any
 non-product compliance questions.

Search Parts in this Series

50012Series

Mates With

50013

Use With

51006

Application Tooling | FAQ

*Tooling specifications and manuals are
 found by selecting the products below.
 Crimp Height Specifications are then
 contained in the Application Tooling
 Specification document.*

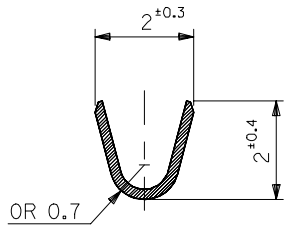
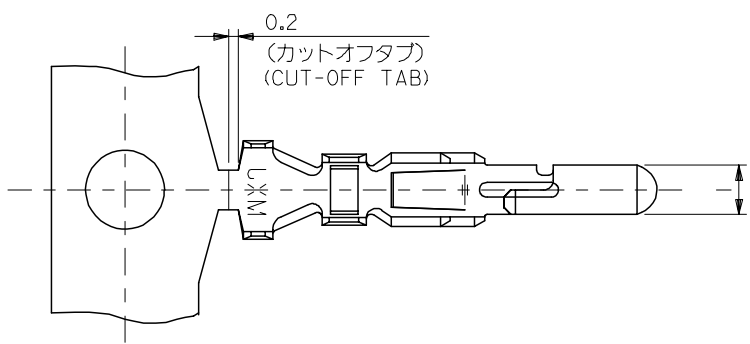
Global

| Description | Product # |
|------------------------------|------------|
| Hand Crimp Tool, UL Approved | 0638117800 |

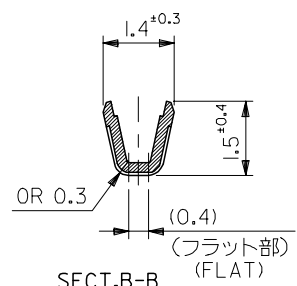
Japan

| Description | Product # |
|--------------|------------|
| Hand Crimper | 0570465000 |

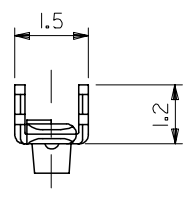
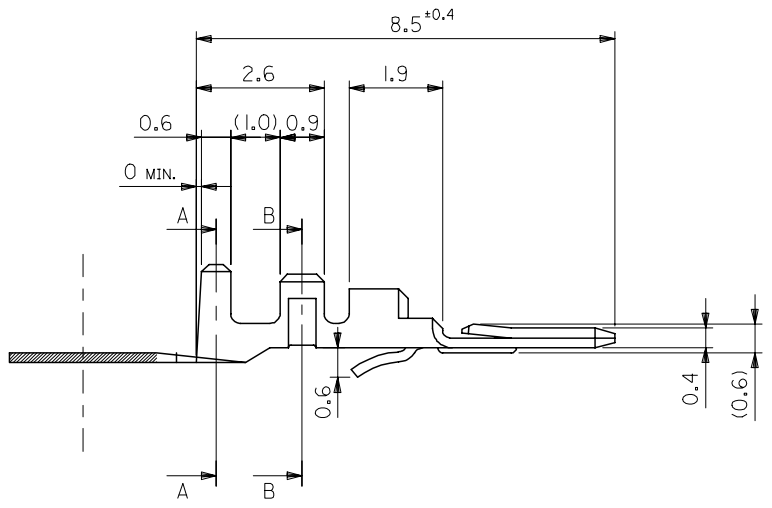
PLEASE CHECK WWW.MOLEX.COM FOR LATEST PART INFORMATION



SECT.A-A



SECT.B-B



注記
NOTES

1. 適合ハウジング : 51006
APPLICABLE HOUSING : 51006
2. 嵌合相手 : 50013
MATE WITH : 50013
3. ELV 及び RoHS適合品
ELV AND RoHS COMPLIANT.

| | |
|----------------------|-------------------------------------------------------|
| 材料 MATERIAL | リン青銅 錫メッキ (t=0.2) PHOS. BRO. PRE-TINNED (t=0.2) |
| 仕上げ FINISH | — |
| 適用電線範囲 WIRE RANGE | AWG#24 ~ #28 |
| 被覆外径 INS. RANGE | φ0.9 - φ1.15 |

| | | |
|--------------|-------------------|------------|
| REVISED | EC NO: J2008-0075 | 2007/07/16 |
| DRWN: NABEJ | CHKD: THARUYAMA | 2007/07/17 |
| APPR: NUKITA | | 2007/07/17 |
| DESCRIPTION | | |
| REV | C | |

| | |
|------------------------------------------------------------|--------|
| GENERAL TOLERANCES (UNLESS SPECIFIED) | |
| 10 UNDER | ± 0.2 |
| 10 OVER 30 UNDER | ± 0.25 |
| 30 OVER | ± 0.3 |
| ANGULAR | ± 3 ° |
| DRAFT WHERE APPLICABLE MUST REMAIN WITHIN DIMENSIONS | |

| | |
|----------------------------|-----------|
| DIMENSION STYLE MM ONLY | |
| DRAWN BY | DATE |
| T. YASUI | '95/08/21 |
| CHECKED BY | DATE |
| H. HIRAMOTO | '95/08/22 |
| APPROVED BY | DATE |
| M. FUKUSHIMA | '95/08/22 |
| MATERIAL NO. | |
| SEE TABLE | |
| SIZE | A3 |

| | |
|----------------------------------------------------------------------------------------------------------------------------------|--------------|
| SCALE | 10:1 |
| DESIGN UNITS | METRIC |
| THIRD ANGLE PROJECTION | |
| TITLE | |
| 2.0 WIRE TO WIRE CONN. CRIMP PIN | |
| MOLEX INCORPORATED | |
| DOCUMENT NO. | SD-50012-001 |
| SHEET NO. | 1 OF 1 |
| THIS DRAWING CONTAINS INFORMATION THAT IS PROPRIETARY TO MOLEX INCORPORATED AND SHOULD NOT BE USED WITHOUT WRITTEN PERMISSION | |

| | | |
|------------|--------------|--------------|
| 50012-8*00 | 50012-8100 | バラ状 LOOSE |
| MODEL NO. | 50012-8000 | 連鎖状 CHAIN |
| | MATERIAL NO. | 端子形状 FORM |